



Description

Nature and its life-giving beauty and strength serve as the model for a unique lighting concept called IVY. Just as the plant grows and climbs up the walls of a house, creating multiple images.



Tech. description

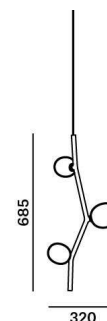
The main body of the light comprises a dural frame and glass shades fitted with G4 sockets. The frame is connected to the power cable by means of an integrated Brokis connector. The power cable is hung from the ceiling canopy, which also houses the electronics.

Colours options: https://brokis.sharepoint.com/:b:/s/brokis_sp/EbGr1ceWI0FKm0dwLZkegrlBlck_j4OqVdwBg-UjPDcqfA

CONSTRUCTION SPECIFICATION

Weight:	1.9 kg
Construction material:	glass, metal
Cord length [mm]:	2,000 mm
Mounting:	Ceiling
Environment:	Indoor

DIMENSIONS [mm]



ELECTRICAL SPECIFICATION

Input voltage [V]:	100 - 240 V
Frequency [Hz]:	50-60 Hz
Max. power [W]:	3 x 2 W LED
Coverage IP:	20
Socket:	G4, 12V
Light source:	-
Energy class:	A+ to B depending on light source

CERTIFICATIONS





CM6200

Socket	G4
Type	LED
Lamp wattage [W]	1.2 W
Input voltage [V]	12 VDC
Energy class	A+
Flux [lm]	91 lm
Light colour [K]	2700 K
CRI	90+
Lifespan [h]	20000h
Dimmable	yes
Dimensions h x w [mm]	10 x 28,4 mm

DATASHEET

RECOMENDED CANOPY



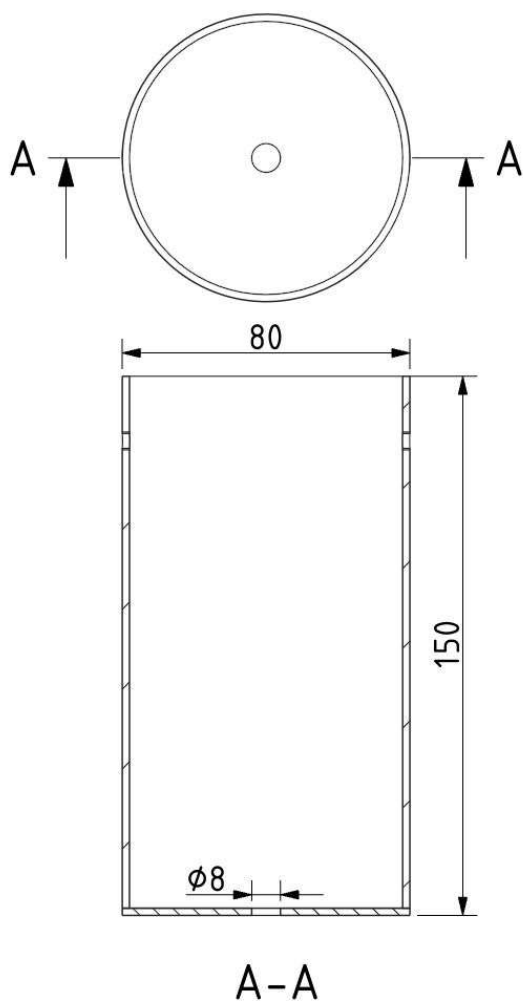
Download

CEILING CANOPY

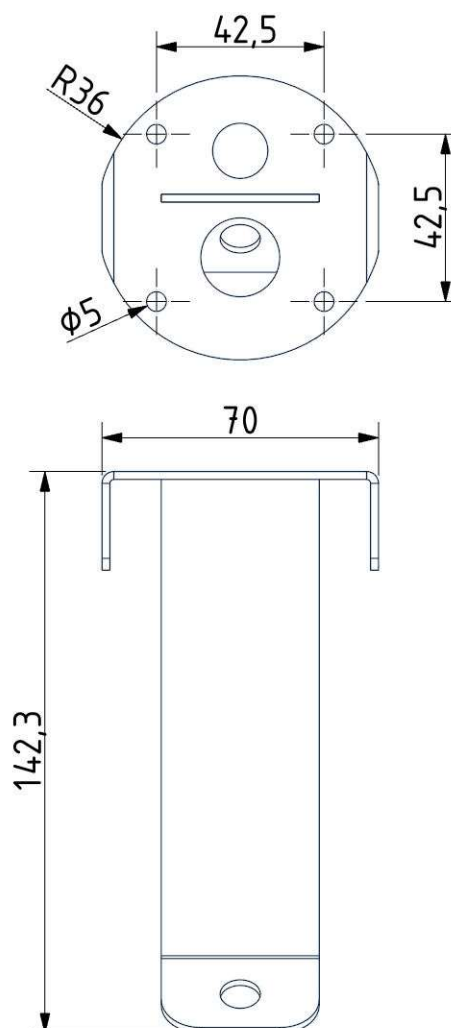
Dimensions $O \times w$ [mm] 80 x 150 mm
Weight [kg] 0.85 kg
Material metal



Drawing



Canopy bracket



BROKIS S.R.O.
ŠPANIELOVA 1315/25
163 00 PRAHA 6 - ŘEPY
CZECH REPUBLIC

ORG ID 64940799
VAT ID CZ64940799
C 42174 MĚSTSKÝ SOUD
V PRAZE

TEL +420 567 211 517
TECHNICAL@BROKIS.CZ
INFO@BROKIS.CZ
WWW.BROKIS.CZ

2020_08
PAGE 3

DATASHEET

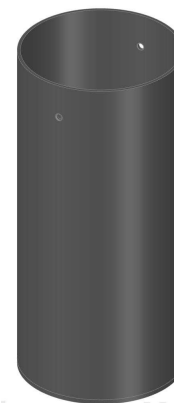
RECOMENDED CANOPY



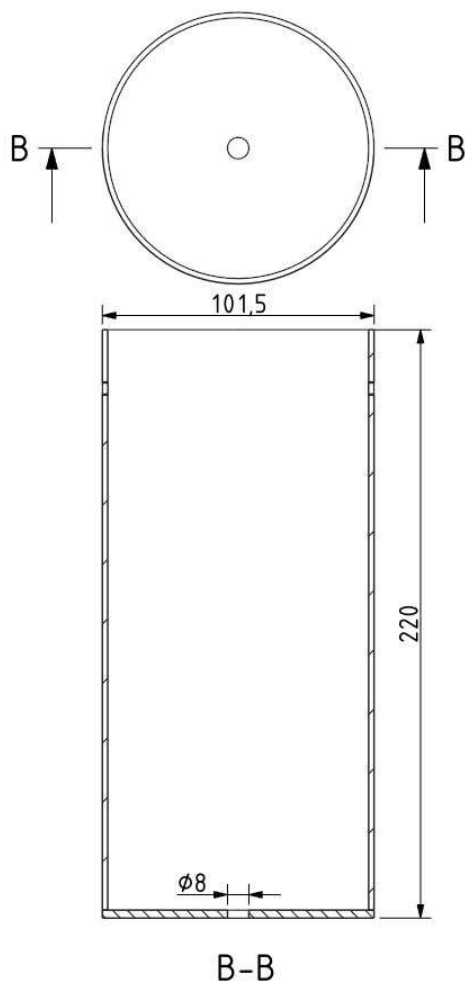
Download

CEILING CANOPY

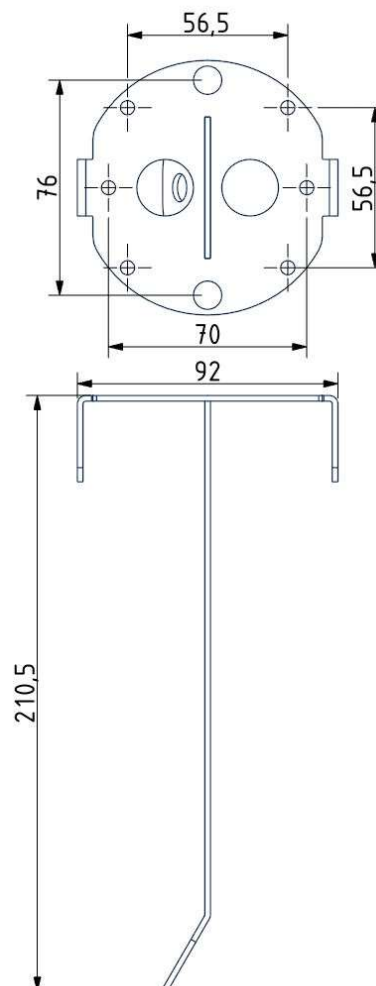
Dimensions O x w [mm]	101,5 x 220 mm
Weight [kg]	1.6 kg
Material	metal



Drawing



Canopy bracket





Description

Nature and its life-giving beauty and strength serve as the model for a unique lighting concept called IVY. Just as the plant grows and climbs up the walls of a house, creating multiple images.

Tech. description

The main body of the light comprises a dural frame and glass shades fitted with G4 sockets. The frame is connected to the power cable by means of an integrated Brokis connector. The power cable is hung from the ceiling canopy, which also houses the electronics.

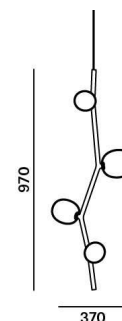


Colours options: https://brokis.sharepoint.com/:b:/s/brokis_sp/Ec2vgTGYUbtEndVZPRpqdZcBFcg9hmJrYa88UIPN6jSvdw

CONSTRUCTION SPECIFICATION

Weight:	2.5 kg
Construction material:	glass, metal
Cord length [mm]:	2,000 mm
Mounting:	Ceiling
Environment:	Indoor

DIMENSIONS [mm]



ELECTRICAL SPECIFICATION

Input voltage [V]:	100 - 240 V
Frequency [Hz]:	50-60 Hz
Max. power [W]:	4 x 2 W LED
Coverage IP:	20
Socket:	G4, 12V
Light source:	-
Energy class:	A+ to B depending on light source

CERTIFICATIONS





CM6200

Socket	G4
Type	LED
Lamp wattage [W]	1.2 W
Input voltage [V]	12 VDC
Energy class	A+
Flux [lm]	91 lm
Light colour [K]	2700 K
CRI	90+
Lifespan [h]	20000h
Dimmable	yes
Dimensions h x w [mm]	10 x 28,4 mm

DATASHEET

RECOMENDED CANOPY



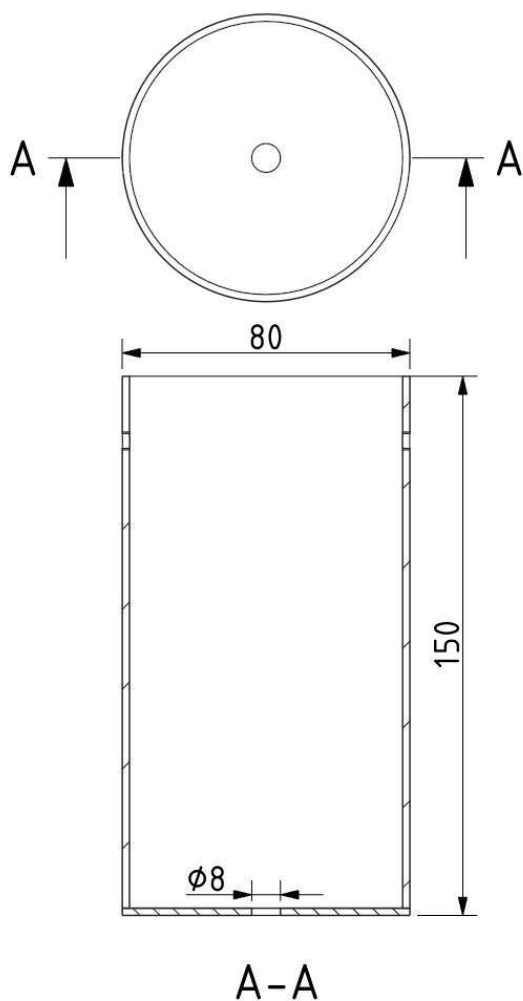
Download

CEILING CANOPY

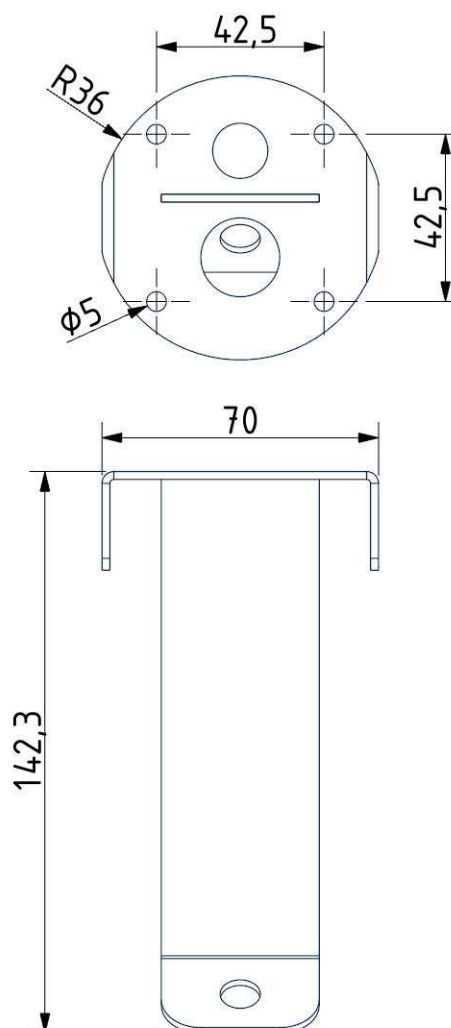
Dimensions $O \times w$ [mm] 80 x 150 mm
Weight [kg] 0.85 kg
Material metal



Drawing



Canopy bracket



DATASHEET

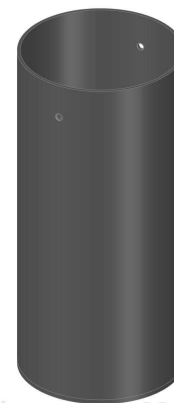
RECOMENDED CANOPY



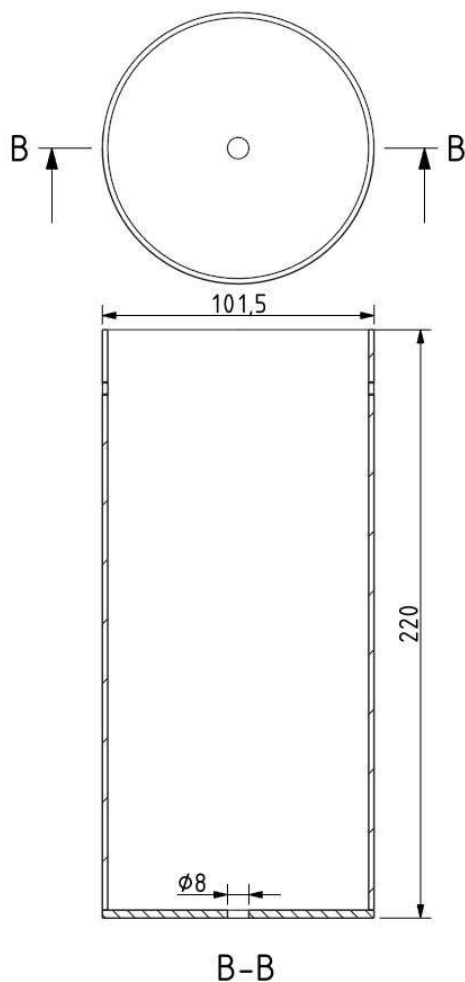
Download

CEILING CANOPY

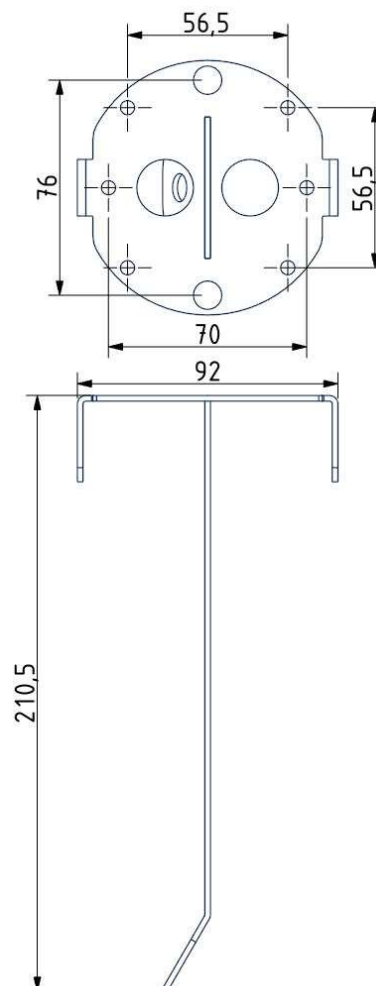
Dimensions O x w [mm]	101,5 x 220 mm
Weight [kg]	1.6 kg
Material	metal



Drawing



Canopy bracket





Description

Nature and its life-giving beauty and strength serve as the model for a unique lighting concept called IVY. Just as the plant grows and climbs up the walls of a house, creating multiple images.

Tech. description

The main body of the light comprises a dural frame and glass shades fitted with G4 sockets. The frame is connected to the power cable by means of an integrated Brokis connector. The power cable is hung from the ceiling canopy, which also houses the electronics.

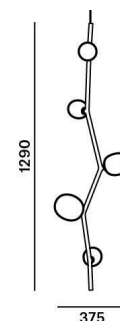


Colours options: https://brokis.sharepoint.com/:b:/s/brokis_sp/EcHahEK6V8IOo1Blvm89CJMB8M0f3P0e4LAC3Jkd63jZig

CONSTRUCTION SPECIFICATION

Weight:	3.1 kg
Construction material:	glass, metal
Cord length [mm]:	2,000 mm
Mounting:	Ceiling
Environment:	Indoor

DIMENSIONS [mm]



ELECTRICAL SPECIFICATION

Input voltage [V]:	100 - 240 V
Frequency [Hz]:	50-60 Hz
Max. power [W]:	5 x 2 W LED
Coverage IP:	20
Socket:	G4, 12V
Light source:	-
Energy class:	A+ to B depending on light source

CERTIFICATIONS





CM6200

Socket	G4
Type	LED
Lamp wattage [W]	1.2 W
Input voltage [V]	12 VDC
Energy class	A+
Flux [lm]	91 lm
Light colour [K]	2700 K
CRI	90+
Lifespan [h]	20000h
Dimmable	yes
Dimensions h x w [mm]	10 x 28,4 mm

DATASHEET

RECOMENDED CANOPY



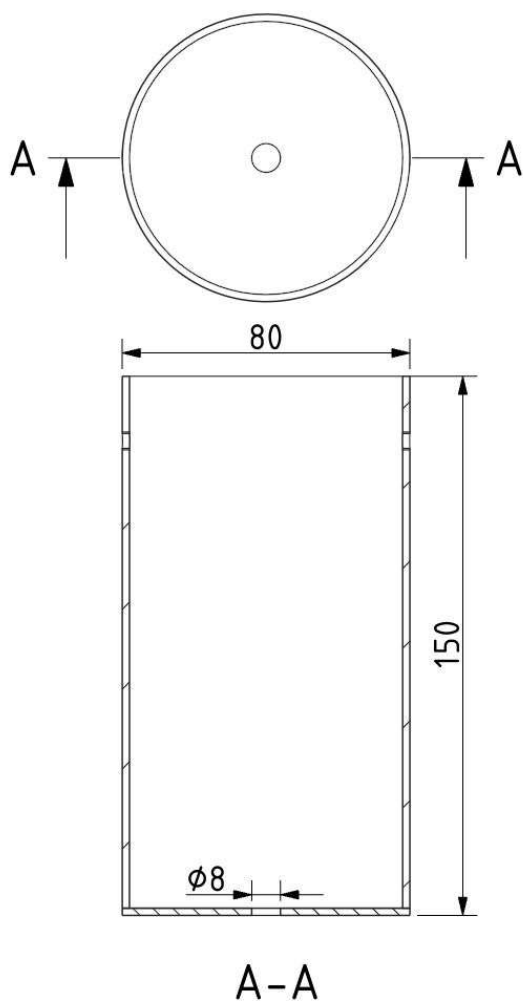
Download

CEILING CANOPY

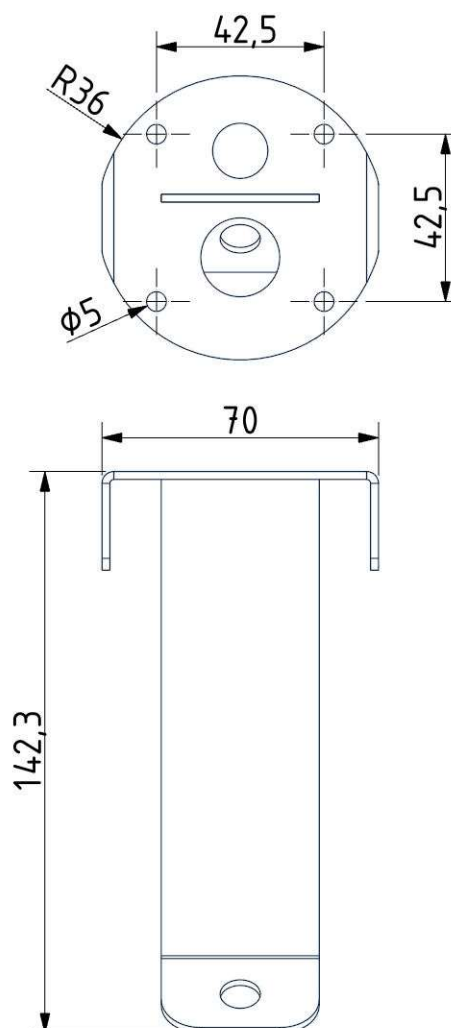
Dimensions O x w [mm] 80 x 150 mm
Weight [kg] 0.85 kg
Material metal



Drawing



Canopy bracket



DATASHEET

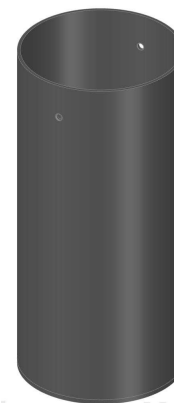
RECOMENDED CANOPY



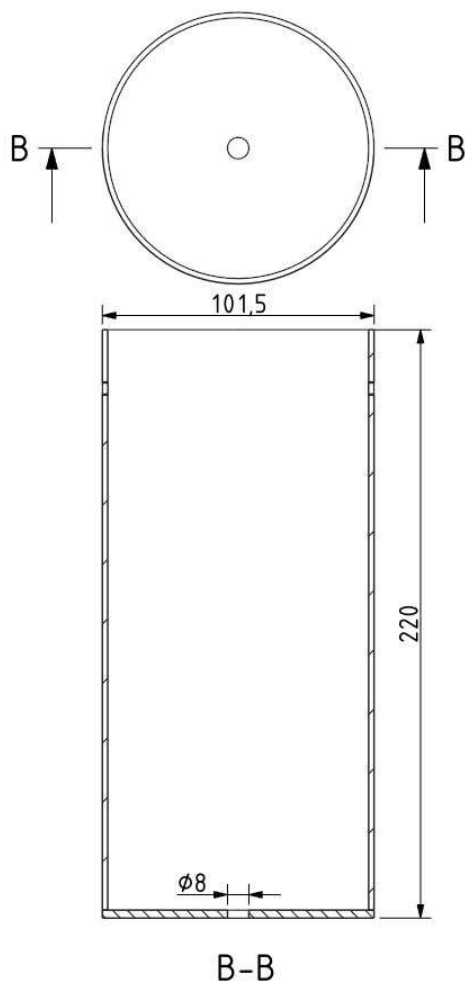
Download

CEILING CANOPY

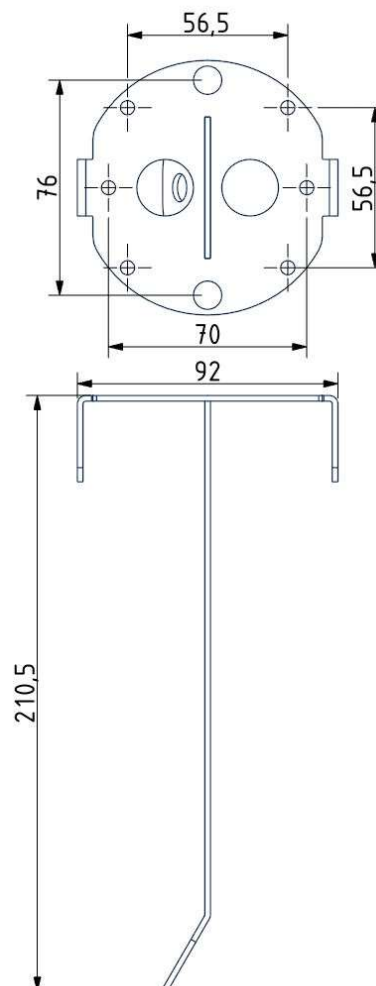
Dimensions O x w [mm]	101,5 x 220 mm
Weight [kg]	1.6 kg
Material	metal



Drawing



Canopy bracket





Description

Nature and its life-giving beauty and strength serve as the model for a unique lighting concept called IVY. Just as the plant grows and climbs up the walls of a house, creating multiple images.

Tech. description

The main body of the light comprises a dural frame and glass shades fitted with G4 sockets. The frame is connected to the power cable by means of an integrated Brokis connector. The power cable is hung from the ceiling canopy, which also houses the electronics.

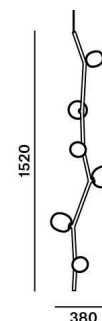


Colours options: https://brokis.sharepoint.com/:b:/s/brokis_sp/EVFlnMrPhNBHv8umHh-LBe8BDGrho_qSuyIbbSoCdGxVw

CONSTRUCTION SPECIFICATION

Weight:	3.7 kg
Construction material:	glass, metal
Cord length [mm]:	2,000 mm
Mounting:	Ceiling
Environment:	Indoor

DIMENSIONS [mm]



ELECTRICAL SPECIFICATION

Input voltage [V]:	100 - 240 V
Frequency [Hz]:	50-60 Hz
Max. power [W]:	6 x 2 W LED
Coverage IP:	20
Socket:	G4, 12V
Light source:	-
Energy class:	A+ to B depending on light source

CERTIFICATIONS





CM6200

Socket	G4
Type	LED
Lamp wattage [W]	1.2 W
Input voltage [V]	12 VDC
Energy class	A+
Flux [lm]	91 lm
Light colour [K]	2700 K
CRI	90+
Lifespan [h]	20000h
Dimmable	yes
Dimensions h x w [mm]	10 x 28,4 mm

DATASHEET

RECOMENDED CANOPY



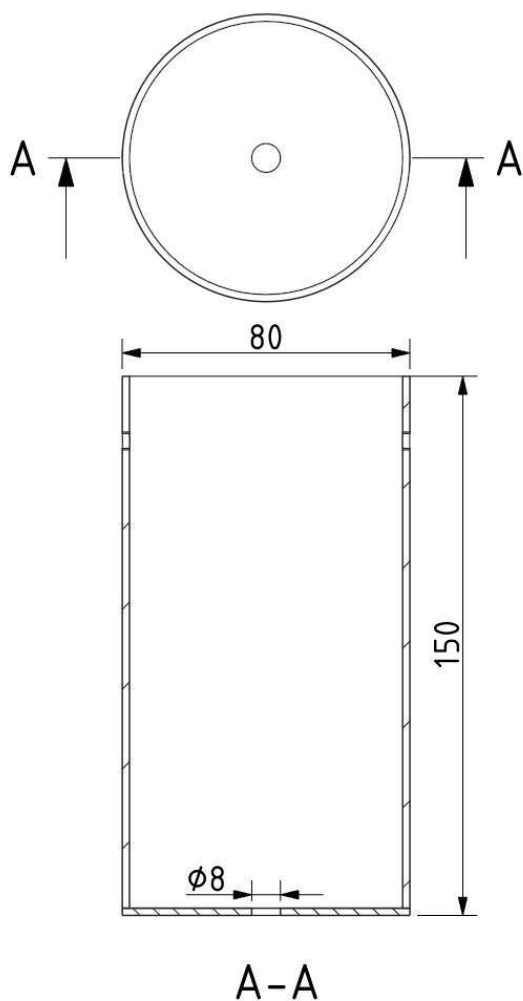
Download

CEILING CANOPY

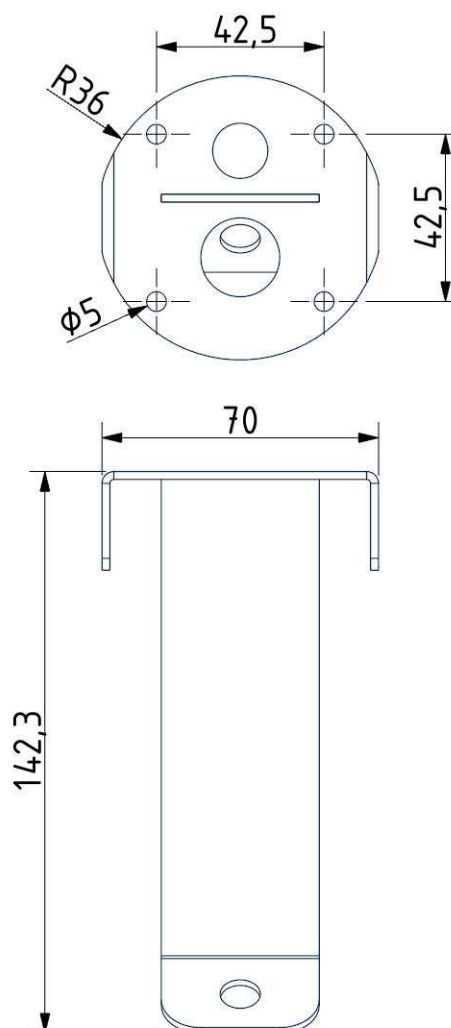
Dimensions $O \times w$ [mm] 80 x 150 mm
Weight [kg] 0.85 kg
Material metal



Drawing



Canopy bracket



DATASHEET

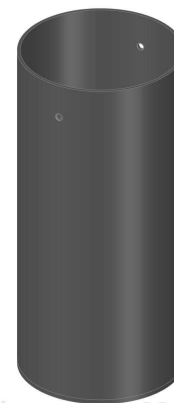
RECOMENDED CANOPY



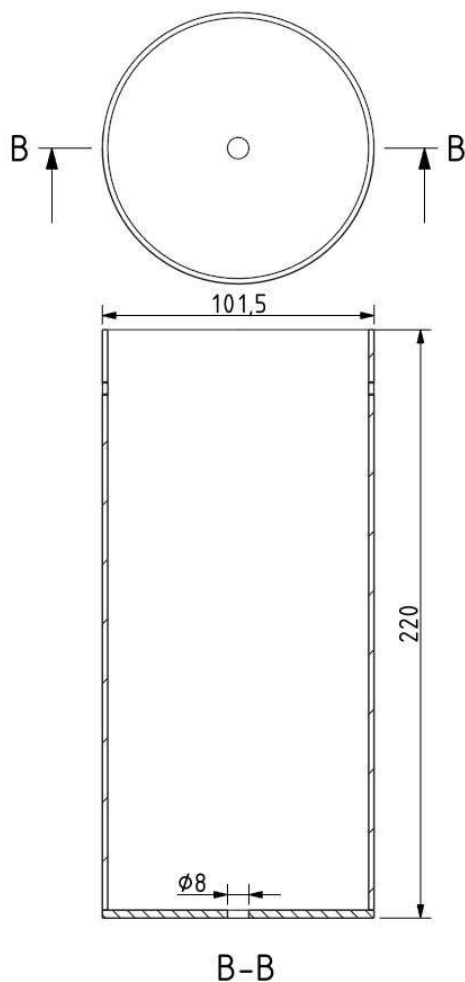
Download

CEILING CANOPY

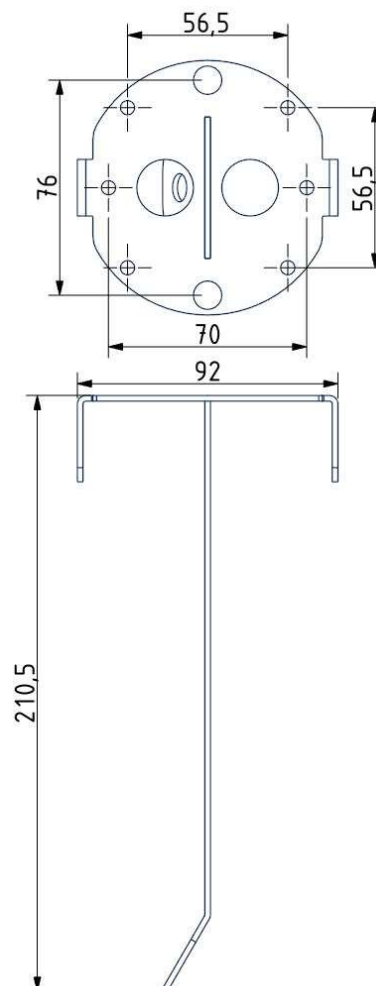
Dimensions O x w [mm]	101,5 x 220 mm
Weight [kg]	1.6 kg
Material	metal



Drawing



Canopy bracket





Description

Nature and its life-giving beauty and strength serve as the model for a unique lighting concept called IVY. Just as the plant grows and climbs up the walls of a house, creating multiple images.



Tech. description

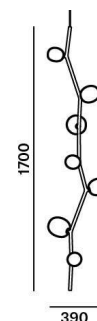
The main body of the light comprises a dural frame and glass shades fitted with G4 sockets. The frame is connected to the power cable by means of an integrated Brokis connector. The power cable is hung from the ceiling canopy, which also houses the electronics.

Colours options: https://brokis.sharepoint.com/:b:/s/brokis_sp/EfQDvEw953VKpk3Jm9WcdeYBZNIksB5Gg1dwuJGHGhwS

CONSTRUCTION SPECIFICATION

Weight:	4.3 kg
Construction material:	glass, metal
Cord length [mm]:	2,000 mm
Mounting:	Ceiling
Environment:	Indoor

DIMENSIONS [mm]



ELECTRICAL SPECIFICATION

Input voltage [V]:	100 - 240 V
Frequency [Hz]:	50-60 Hz
Max. power [W]:	7 x 2 W LED
Coverage IP:	20
Socket:	G4, 12V
Light source:	-
Energy class:	A+ to B depending on light source

CERTIFICATIONS





CM6200

Socket	G4
Type	LED
Lamp wattage [W]	1.2 W
Input voltage [V]	12 VDC
Energy class	A+
Flux [lm]	91 lm
Light colour [K]	2700 K
CRI	90+
Lifespan [h]	20000h
Dimmable	yes
Dimensions h x w [mm]	10 x 28,4 mm

DATASHEET

RECOMENDED CANOPY



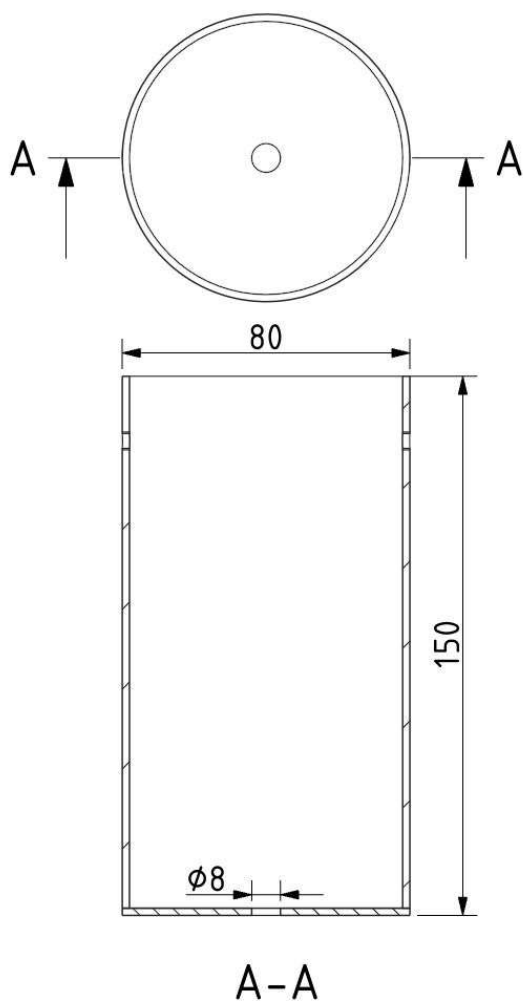
Download

CEILING CANOPY

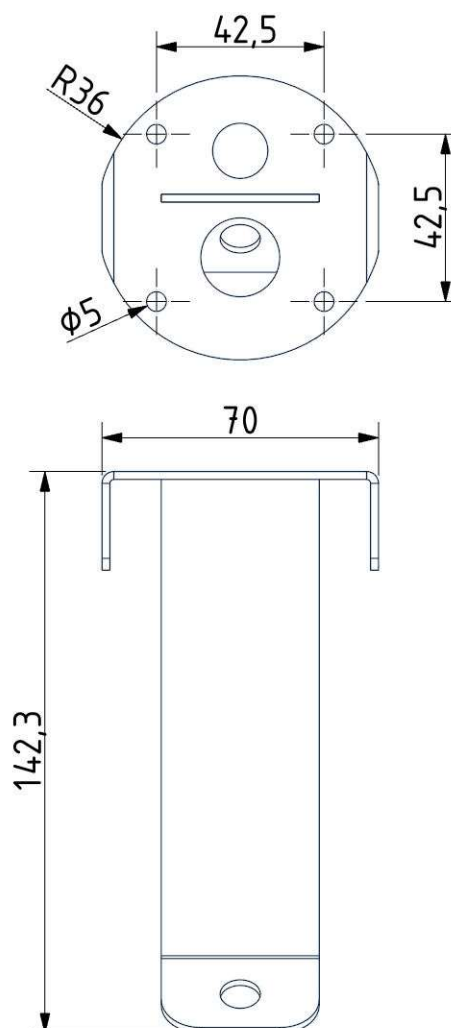
Dimensions $O \times w$ [mm] 80 x 150 mm
Weight [kg] 0.85 kg
Material metal



Drawing



Canopy bracket



DATASHEET

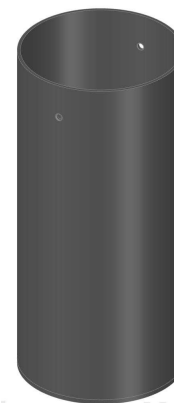
RECOMENDED CANOPY



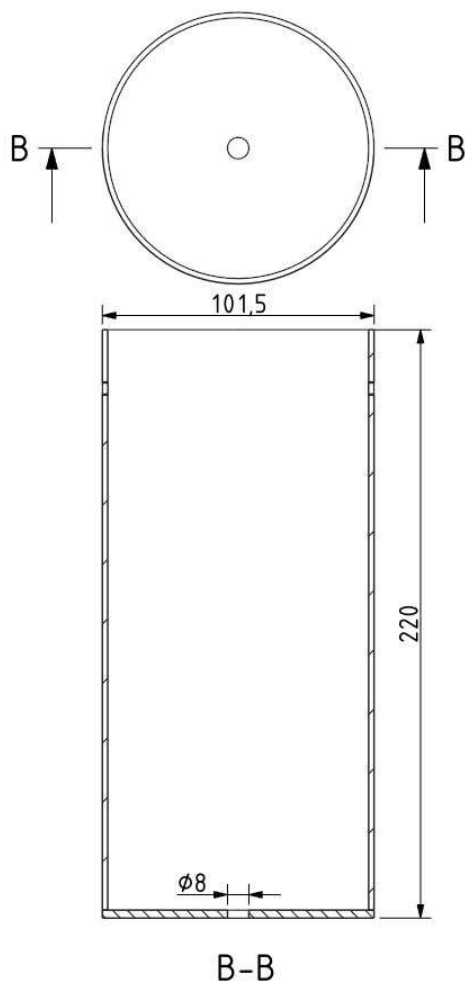
Download

CEILING CANOPY

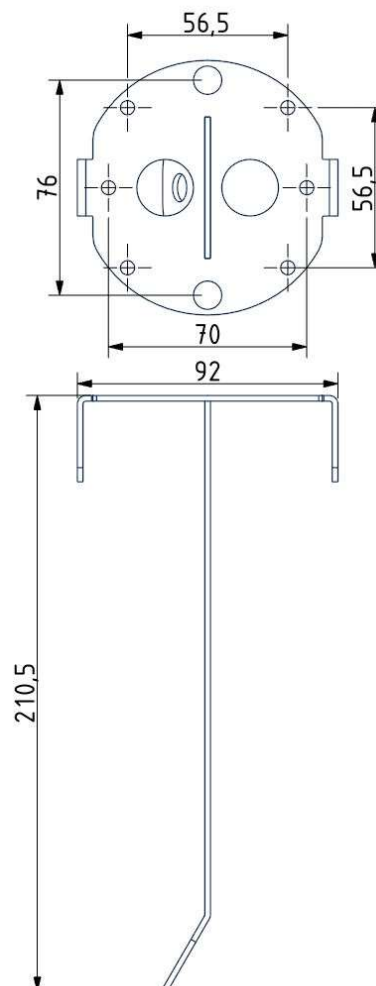
Dimensions O x w [mm]	101,5 x 220 mm
Weight [kg]	1.6 kg
Material	metal



Drawing



Canopy bracket



BROKIS S.R.O.
ŠPANILOVA 1315/25
163 00 PRAHA 6 - ŘEPY
CZECH REPUBLIC

ORG ID 64940799
VAT ID CZ64940799
C 42174 MĚSTSKÝ SOUD
V PRAZE

TEL +420 567 211 517
TECHNICAL@BROKIS.CZ
INFO@BROKIS.CZ
WWW.BROKIS.CZ

2020_08
PAGE 4



Description

Nature and its life-giving beauty and strength serve as the model for a unique lighting concept called IVY. Just as the plant grows and climbs up the walls of a house, creating multiple images.

Tech. description

The main body of the light comprises a dural frame and glass shades fitted with G4 sockets. The frame is connected to the power cable by means of an integrated Brokis connector. The power cable is hung from the ceiling canopy, which also houses the electronics.

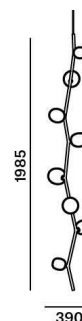


Colours options: https://brokis.sharepoint.com/:b:/s/brokis_sp/EeX8GltlgJpHr4tB6wIJhiMBoRxF-s44cDula8ksH4PTFw

CONSTRUCTION SPECIFICATION

Weight:	4.9 kg
Construction material:	glass, metal
Cord length [mm]:	2,000 mm
Mounting:	Ceiling
Environment:	Indoor

DIMENSIONS [mm]



ELECTRICAL SPECIFICATION

Input voltage [V]:	100 - 240 V
Frequency [Hz]:	50-60 Hz
Max. power [W]:	8 x 2 W LED
Coverage IP:	20
Socket:	G4, 12V
Light source:	-
Energy class:	A+ to B depending on light source

CERTIFICATIONS





CM6200

Socket	G4
Type	LED
Lamp wattage [W]	1.2 W
Input voltage [V]	12 VDC
Energy class	A+
Flux [lm]	91 lm
Light colour [K]	2700 K
CRI	90+
Lifespan [h]	20000h
Dimmable	yes
Dimensions h x w [mm]	10 x 28,4 mm

DATASHEET

RECOMENDED CANOPY



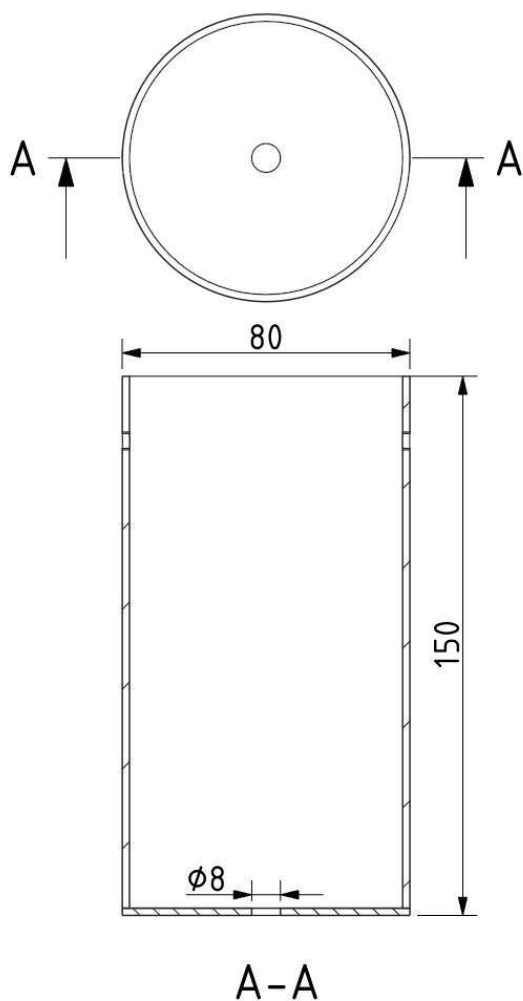
Download

CEILING CANOPY

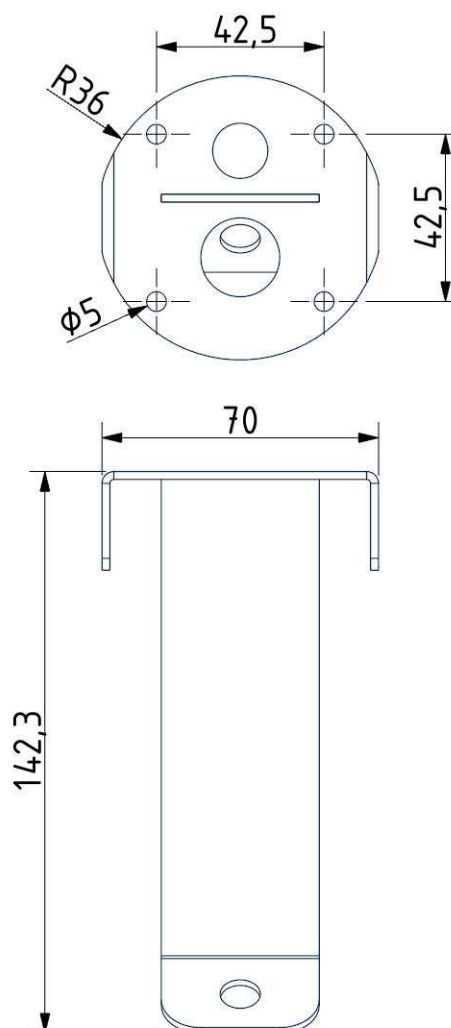
Dimensions $O \times w$ [mm] 80 x 150 mm
Weight [kg] 0.85 kg
Material metal



Drawing



Canopy bracket



DATASHEET

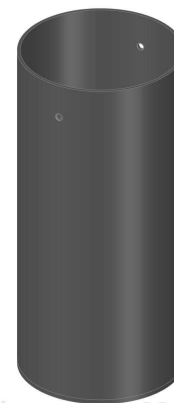
RECOMENDED CANOPY



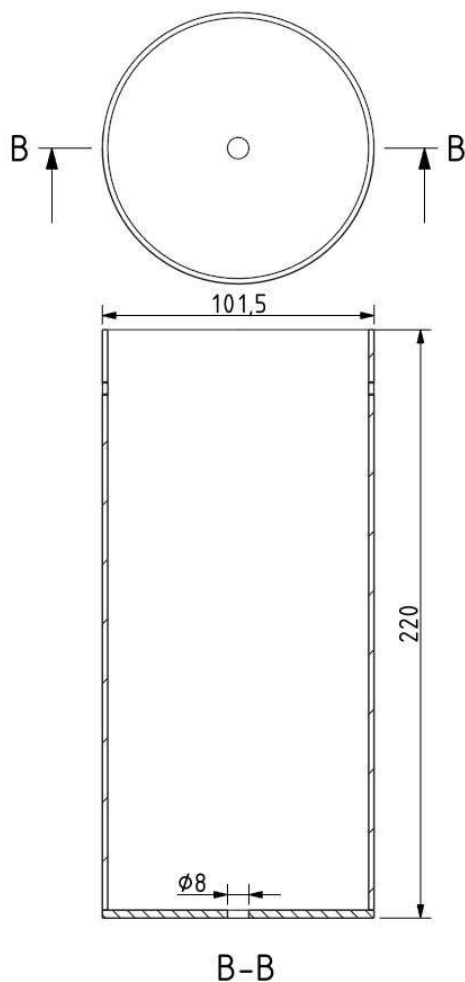
Download

CEILING CANOPY

Dimensions O x w [mm]	101,5 x 220 mm
Weight [kg]	1.6 kg
Material	metal



Drawing



Canopy bracket

