

DATASHEET

Type: **IVY SINGLE**
Name: Pendant light
ID: PC1215
Designed by: Lucie Koldová



Download

Description

Nature and its life-giving beauty and strength are the inspiration behind the unique lighting concept called IVY. Just like a growing plant, so too can IVY create a myriad of images. The collection represents an innovative high-tech concept that makes it possible to achieve truly unmatched lighting compositions.

Hung from special coax cables, the lights are easy to install and combine thanks to modular components. Variable and precise in craftsmanship all the way down to the smallest detail, they come in three sizes in either matte light rose, opal, or smoke glass. The distinctive handblown glass elements can be arranged in a seemingly endless variety of compositions and rightly hold their place among artistic, bespoke lighting solutions ideal for public spaces, hotels, offices, and many other projects.



Tech. description

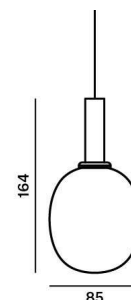
The glass shade with nut is attached to a metal ceiling canopy with G4 socket. The fixture is hung on a coaxial cable from the canopy, which is designed for dropped ceilings. The electronics are stowed in the dropped ceiling above the canopy.

Colours options: https://brokis.sharepoint.com/:b:/s/brokis_sp/EbDxwwusz11luL8X-pMcDnUBC4_gsWhIBCH1NvRJ9OOyS

CONSTRUCTION SPECIFICATION

Weight: 0.6 kg
Construction material: glass, metal
Cord length [mm]: 2,000 mm
Mounting: Ceiling
Environment: Indoor

DIMENSIONS [mm]



ELECTRICAL SPECIFICATION

Input voltage [V]: 100 - 240 V
Frequency [Hz]: 50-60 Hz
Max. power [W]: 2 W LED
Coverage IP: 20
Socket: G4, 12V
Light source: -
Energy class: A+ to B depending on light source

CERTIFICATIONS



BROKIS®

BROKIS S.R.O.
ŠPANILOVA 1315/25
163 00 PRAHA 6 - ŘEPY
CZECH REPUBLIC

ORG ID 64940799
VAT ID CZ64940799
C 42174 MĚSTSKÝ SOUD
V PRAZE

TEL +420 567 211 517
TECHNICAL@BROKIS.CZ
INFO@BROKIS.CZ
WWW.BROKIS.CZ

2021_03
PAGE 1

DATASHEET

RECOMMENDED BULBS



Download



CM6200

Socket	G4
Type	LED
Lamp wattage [W]	1.2 W
Input voltage [V]	12 VDC
Energy class	A+
Flux [lm]	91 lm
Light colour [K]	2700 K
CRI	90+
Lifespan [h]	20000h
Dimmable	yes
Dimensions h x w [mm]	10 x 28,4 mm



BROKIS®

BROKIS S.R.O.
ŠPANILOVA 1315/25
163 00 PRAHA 6 - ŘEPY
CZECH REPUBLIC

ORG ID 64940799
VAT ID CZ64940799
C 42174 MĚSTSKÝ SOUD
V PRAZE

TEL +420 567 211 517
TECHNICAL@BROKIS.CZ
INFO@BROKIS.CZ
WWW.BROKIS.CZ

2021_03
PAGE 2

DATASHEET

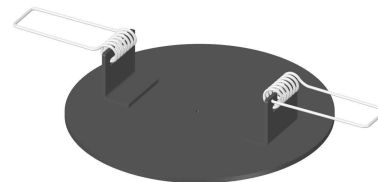
RECOMENDED CANOPY



Download

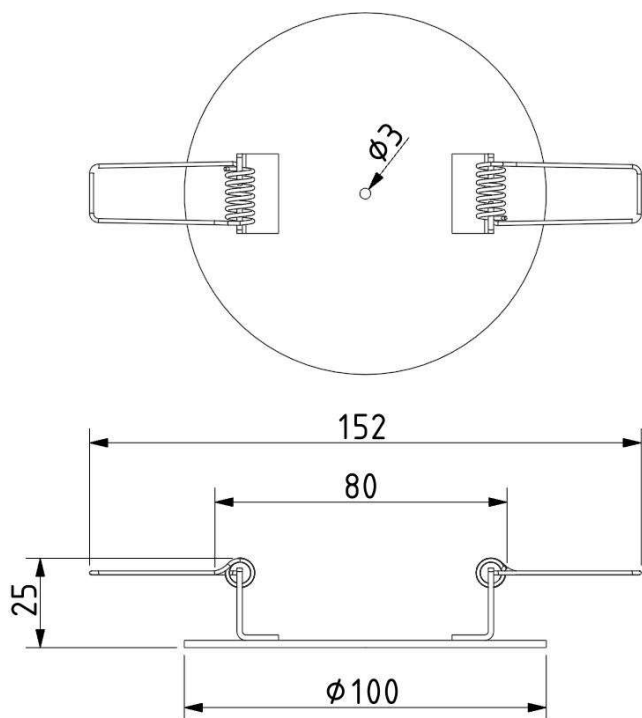
CEILING CANOPY

Dimensions O x w [mm] 100 x 2 mm
Weight [kg] 0,1 kg
Material metal



Drawing

Canopy bracket



BROKIS S.R.O.
ŠPANILOVA 1315/25
163 00 PRAHA 6 - ŘEPY
CZECH REPUBLIC

ORG ID 64940799
VAT ID CZ64940799
C 42174 MĚSTSKÝ SOUD
V PRAZE

TEL +420 567 211 517
TECHNICAL@BROKIS.CZ
INFO@BROKIS.CZ
WWW.BROKIS.CZ

2021_03
PAGE 3



Description

Nature and its life-giving beauty and strength are the inspiration behind the unique lighting concept called IVY. Just like a growing plant, so too can IVY create a myriad of images. The collection represents an innovative high-tech concept that makes it possible to achieve truly unmatched lighting compositions.

Hung from special coax cables, the lights are easy to install and combine thanks to modular components. Variable and precise in craftsmanship all the way down to the smallest detail, they come in three sizes in either matte light rose, opal, or smoke glass. The distinctive handblown glass elements can be arranged in a seemingly endless variety of compositions and rightly hold their place among artistic, bespoke lighting solutions ideal for public spaces, hotels, offices, and many other projects.



Tech. description

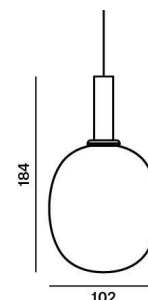
The glass shade with nut is attached to a metal ceiling canopy with G4 socket. The fixture is hung on a coaxial cable from the canopy, which is designed for dropped ceilings. The electronics are stowed in the dropped ceiling above the canopy.

Colours options: https://brokis.sharepoint.com/:b/s/brokis_sp/EblpvQezY5ZPI-RcPLmVFLEBcnZ0X2jS2QwBkoLEbeXUIQ

CONSTRUCTION SPECIFICATION

Weight:	0.8 kg
Construction material:	glass, metal
Cord length [mm]:	2,000 mm
Mounting:	Ceiling
Environment:	Indoor

DIMENSIONS [mm]



ELECTRICAL SPECIFICATION

Input voltage [V]:	100 - 240 V
Frequency [Hz]:	50-60 Hz
Max. power [W]:	2 W LED
Coverage IP:	20
Socket:	G4, 12V
Light source:	-
Energy class:	A+ to B depending on light source

CERTIFICATIONS



DATASHEET

RECOMMENDED BULBS



Download



CM6200

Socket	G4
Type	LED
Lamp wattage [W]	1.2 W
Input voltage [V]	12 VDC
Energy class	A+
Flux [lm]	91 lm
Light colour [K]	2700 K
CRI	90+
Lifespan [h]	20000h
Dimmable	yes
Dimensions h x w [mm]	10 x 28,4 mm



BROKIS®

BROKIS S.R.O.
ŠPANILOVA 1315/25
163 00 PRAHA 6 - ŘEPY
CZECH REPUBLIC

ORG ID 64940799
VAT ID CZ64940799
C 42174 MĚSTSKÝ SOUD
V PRAZE

TEL +420 567 211 517
TECHNICAL@BROKIS.CZ
INFO@BROKIS.CZ
WWW.BROKIS.CZ

2021_03
PAGE 2

DATASHEET

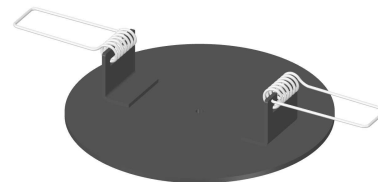
RECOMENDED CANOPY



Download

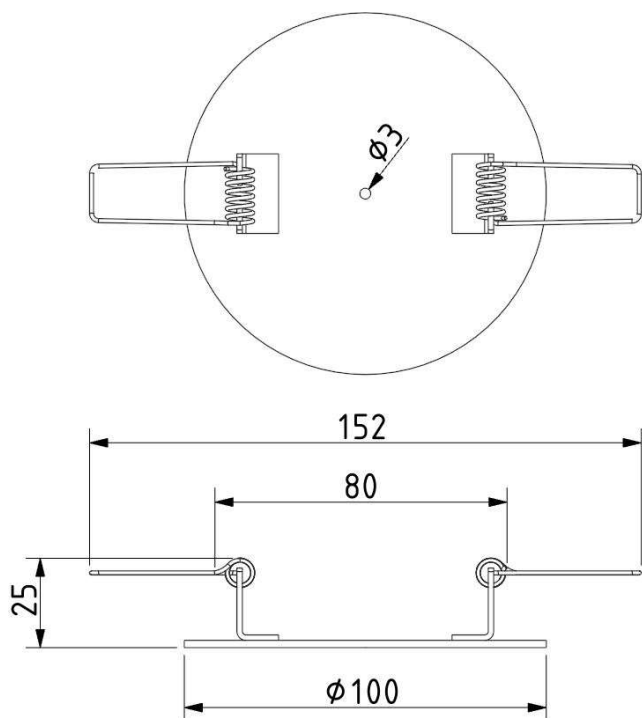
CEILING CANOPY

Dimensions O x w [mm] 100 x 2 mm
Weight [kg] 0,1 kg
Material metal



Drawing

Canopy bracket



BROKIS S.R.O.
ŠPANILOVA 1315/25
163 00 PRAHA 6 - ŘEPY
CZECH REPUBLIC

ORG ID 64940799
VAT ID CZ64940799
C 42174 MĚSTSKÝ SOUD
V PRAZE

TEL +420 567 211 517
TECHNICAL@BROKIS.CZ
INFO@BROKIS.CZ
WWW.BROKIS.CZ

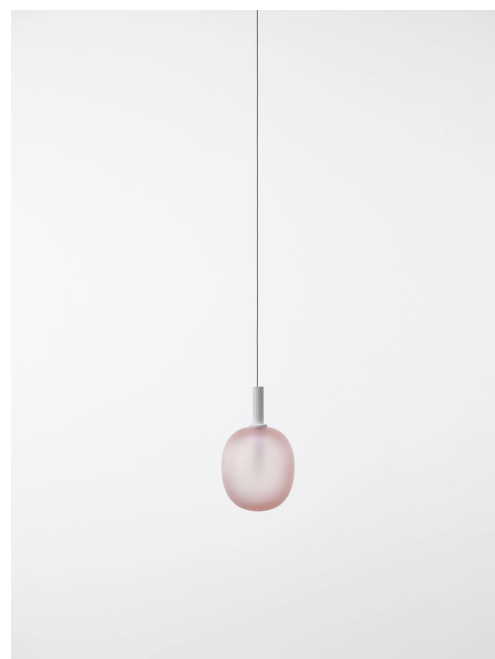
2021_03
PAGE 3



Description

Nature and its life-giving beauty and strength are the inspiration behind the unique lighting concept called IVY. Just like a growing plant, so too can IVY create a myriad of images. The collection represents an innovative high-tech concept that makes it possible to achieve truly unmatched lighting compositions.

Hung from special coax cables, the lights are easy to install and combine thanks to modular components. Variable and precise in craftsmanship all the way down to the smallest detail, they come in three sizes in either matte light rose, opal, or smoke glass. The distinctive handblown glass elements can be arranged in a seemingly endless variety of compositions and rightly hold their place among artistic, bespoke lighting solutions ideal for public spaces, hotels, offices, and many other projects.



Tech. description

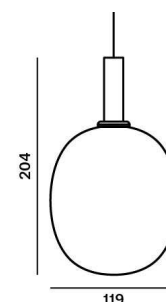
The glass shade with nut is attached to a metal ceiling canopy with G4 socket. The fixture is hung on a coaxial cable from the canopy, which is designed for dropped ceilings. The electronics are stowed in the dropped ceiling above the canopy.

Colours options: https://brokis.sharepoint.com/:b/s/brokis_sp/Edn_Vwe4lxxHr27ofrB9A1MB30YFWbPHNrIfIUx_MaToGg

CONSTRUCTION SPECIFICATION

Weight:	1 kg
Construction material:	glass, metal
Cord length [mm]:	2,000 mm
Mounting:	Ceiling
Environment:	Indoor

DIMENSIONS [mm]



ELECTRICAL SPECIFICATION

Input voltage [V]:	100 - 240 V
Frequency [Hz]:	50-60 Hz
Max. power [W]:	2 W LED
Coverage IP:	20
Socket:	G4, 12V
Light source:	-
Energy class:	A+ to B depending on light source

CERTIFICATIONS



DATASHEET

RECOMMENDED BULBS



Download



CM6200

Socket	G4
Type	LED
Lamp wattage [W]	1.2 W
Input voltage [V]	12 VDC
Energy class	A+
Flux [lm]	91 lm
Light colour [K]	2700 K
CRI	90+
Lifespan [h]	20000h
Dimmable	yes
Dimensions h x w [mm]	10 x 28,4 mm



BROKIS®

BROKIS S.R.O.
ŠPANILOVA 1315/25
163 00 PRAHA 6 - ŘEPY
CZECH REPUBLIC

ORG ID 64940799
VAT ID CZ64940799
C 42174 MĚSTSKÝ SOUD
V PRAZE

TEL +420 567 211 517
TECHNICAL@BROKIS.CZ
INFO@BROKIS.CZ
WWW.BROKIS.CZ

2021_03
PAGE 2

DATASHEET

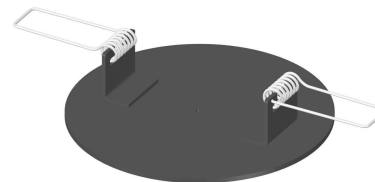
RECOMENDED CANOPY



Download

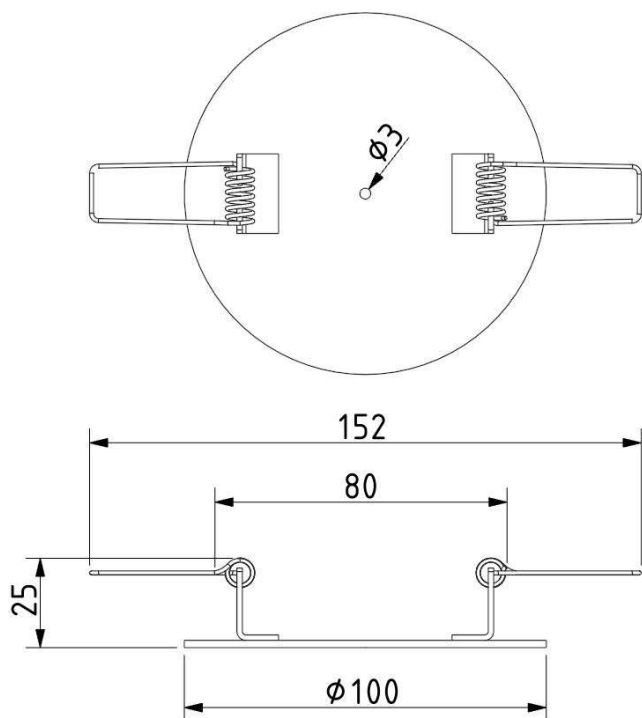
CEILING CANOPY

Dimensions O x w [mm] 100 x 2 mm
Weight [kg] 0,1 kg
Material metal



Drawing

Canopy bracket



BROKIS S.R.O.
ŠPANILOVA 1315/25
163 00 PRAHA 6 - ŘEPY
CZECH REPUBLIC

ORG ID 64940799
VAT ID CZ64940799
C 42174 MĚSTSKÝ SOUD
V PRAZE

TEL +420 567 211 517
TECHNICAL@BROKIS.CZ
INFO@BROKIS.CZ
WWW.BROKIS.CZ

2021_03
PAGE 3