

FLOS

F3022000 White

Glo-Ball Wall

Designed by Jasper Morrison, 1999



Halogen - 100W

Wall mounted lamp providing diffused light. Diffuser consisting of an externally acid-etched, hand blown, flashed opaline glass. Galvanized pressed steel wall fitting.

Are you a professional and your project needs consulting and support?

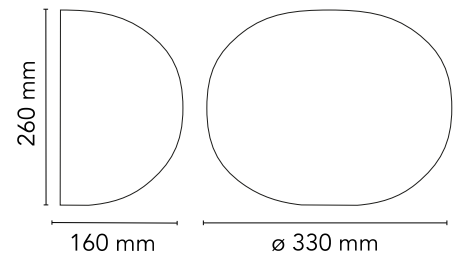
[BOOK AN APPOINTMENT](#)

Main specifications

EAN	8059607016725
Mounting	Wall
Environments	Indoor dry location
Light Source Type	Bulb
Lamp category	Halogen
Lamp holders	E27
Ilcos	HSGS
Number of heads	1
Power (W)	100

Physical

Colour	White
Net weight (kg)	1.8
Package height (mm)	270
Package width (mm)	380
Package length (mm)	380
Package volume (m3)	0.04
IP internal	40



Download

[Mounting instructions](#) PDF

[Spare Parts](#) PDF

Photometric Files

[LDT / IES](#) LDT

Technical Drawings

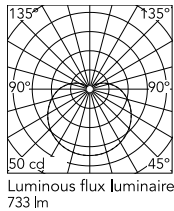
[2D](#) ZIP

[3D](#) ZIP

[Bim](#) ZIP



Schematic light drawing



Photometric

Lighting type	Total
Light distribution	Symmetric

Electrical

Insulation class	I
Frequency (Hz)	50/60
Main voltage (Vac)	220-250
LED voltage Vf (Vdc)	null
Dimmable	Yes
Dimming interface	Remote Dimmable (Dimmer Not Included)
Batteries inside	No
Charging min time	No

Bulbs



NOT INCLUDED

RF32564

LED Lamp 11.5W E27 220-240V
3000K A70

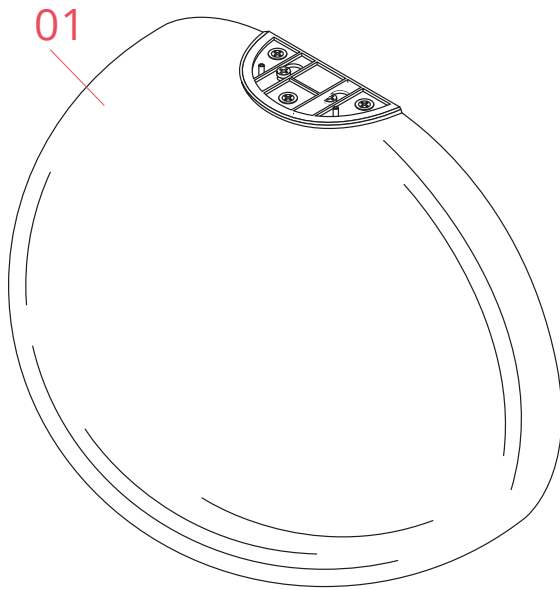


NOT INCLUDED

RF32563

LED Lamp 11.5W E27 220-240V
2700K A70

Spare Parts



01. Glo-Ball Wall white diffuser

RF3022000

DOWNLOAD



RF3022000

Glo-Ball Wall white diffuser

FLOS

F3023000 White

Glo-Ball Ceiling 1

Designed by Jasper Morrison, 1999



Halogen - 150W

Ceiling mounted lamp providing diffused light. Diffuser consisting of an externally acidetched, hand blown, flashed opaline glass and of a die-cast aluminum threaded ring nut with alodine plating finish. 30% fiberglass reinforced injection-molded polyamide ceiling fitting; gray painted die-cast aluminum diffuser support.

Are you a professional and your project needs consulting and support?

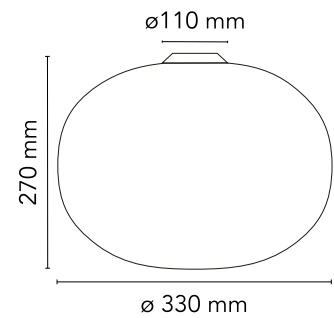
[BOOK AN APPOINTMENT](#)

Main specifications

EAN	8059607002391
Mounting	Ceiling
Environments	Indoor dry location
Light Source Type	Bulb
Lamp category	Halogen
Lamp holders	E27
Ilcos	HSGS
Number of heads	1
Power (W)	150

Physical

Colour	White
Net weight (kg)	2.47
Package volume (m3)	0.07
IP internal	40




Download

[Mounting instructions](#)  PDF

[Spare Parts](#)  PDF

Photometric Files

[LDT / IES](#)  LDT

Technical Drawings

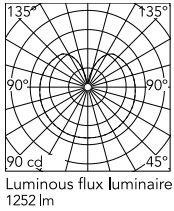
[2D](#)  ZIP

[3D](#)  ZIP

[Bim](#)  ZIP



Schematic light drawing



Photometric

Lighting type	Total
Light distribution	Symmetric

Electrical

Insulation class	II
Frequency (Hz)	50/60
Main voltage (Vac)	220-250
LED voltage Vf (Vdc)	null
Dimmable	Yes
Dimming interface	Remote Dimmable (Dimmer Not Included)
Batteries inside	No
Charging min time	No

Bulbs



NOT INCLUDED

RF32288

LED Lamp E27 15W 2700K T38

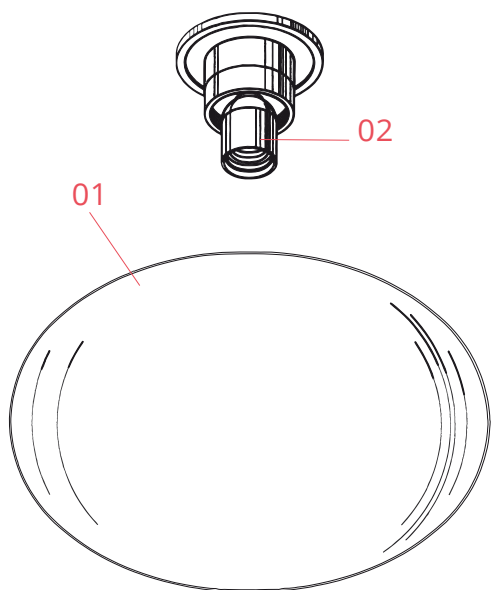


NOT INCLUDED

RF32289

LED Lamp E27 15W 3000K T38

Spare Parts



- | | | |
|-----|--|-----------|
| 01. | Glo-Ball 1 opal diffuser. Grey
Base | F3050061 |
| 02. | New version lamp holder | RF2500200 |

DOWNLOAD



F3050061

Glo-Ball 1 opal diffuser. Grey Base



RF2500200

New version lamp holder

FLOS

F3028000 White

Glo-Ball Ceiling 2

Designed by Jasper Morrison, 1999



Halogen - 150W

Ceiling mounted lamp providing diffused light. Diffuser consisting of an externally acidetched, hand blown, flashed opaline glass and of a die-cast aluminum threaded ring nut with alodine plating finish. 30% fiberglass reinforced injection-molded polyamide ceiling fitting; gray painted die-cast aluminum diffuser support.

Are you a professional and your project needs consulting and support?

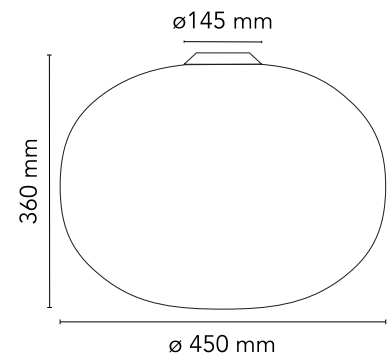
[BOOK AN APPOINTMENT](#)

Main specifications

EAN	8059607002469
Mounting	Ceiling
Environments	Indoor dry location
Light Source Type	Bulb
Lamp category	Halogen
Lamp holders	E27
Ilcos	HSGS
Number of heads	1
Power (W)	150

Physical

Colour	White
Net weight (kg)	3.77
Package volume (m3)	0.13
IP internal	40



Download

[Mounting instructions](#) PDF

[Spare Parts](#) PDF

Photometric Files

[LDT / IES](#) LDT

Technical Drawings

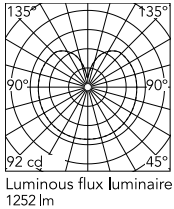
[2D](#) ZIP

[3D](#) ZIP

[Bim](#) ZIP



Schematic light drawing



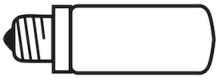
Photometric

Lighting type	Total
Light distribution	Roto symmetric

Electrical

Insulation class	II
Frequency (Hz)	50/60
Main voltage (Vac)	220-250
LED voltage Vf (Vdc)	null
Dimmable	Yes
Dimming interface	Remote Dimmable (Dimmer Not Included)
Batteries inside	No
Charging min time	No

Bulbs



NOT INCLUDED

RF26258

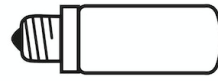
LED Lamp 18W E27 3000K T38
Dimmable



NOT INCLUDED

RF32288

LED Lamp E27 15W 2700K T38



NOT INCLUDED

RF26259

LED Lamp 18W E27 2700K
Dimmable

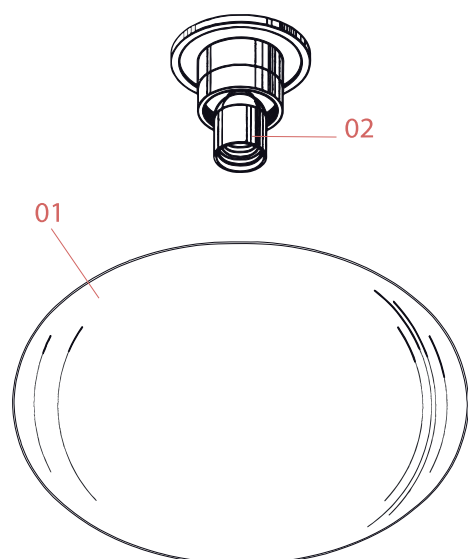


NOT INCLUDED

RF32289

LED Lamp E27 15W 3000K T38

Spare Parts



- | | | |
|-----|--|-----------|
| 01. | Glo-Ball 2 opal diffuser. Grey
Base | F3055061 |
| 02. | New version lamp holder | RF2500200 |

DOWNLOAD



F3055061

Glo-Ball 2 opal diffuser. Grey Base



RF2500200

New version lamp holder

FLOS

F3335009 White

Glo-Ball Ceiling/Wall Zero

Designed by Jasper Morrison, 2009

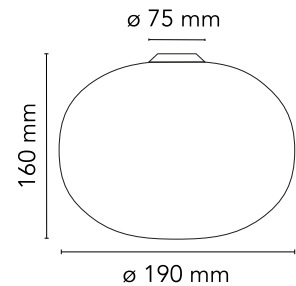


Halogen - 60W

Wall or ceiling lamp providing diffused light. Diffuser consisting of an externally acidetched, hand blown, flashed opaline glass and a die-cast aluminum threaded ring nut with alodine plating finish. 30% fiberglass reinforced injection molded polyamide base. Gray painted, die-cast aluminum diffuser support.

Are you a professional and your project needs consulting and support?

[BOOK AN APPOINTMENT](#)



Main specifications

EAN	8059607019344
Mounting	Ceiling and wall surface
Environments	Indoor dry location
Light Source Type	Bulb
Lamp category	Halogen
Lamp holders	E14
Icos	HSGS
Number of heads	1
Power (W)	60

Physical

Colour	White
Net weight (kg)	1
Package height (mm)	225
Package width (mm)	270
Package length (mm)	260
Package volume (m3)	0.02
IP internal	20

Download

Mounting instructions	↓ PDF
Spare Parts	↓ PDF

Photometric Files

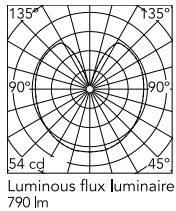
LDT / IES	↓ LDT
---------------------------	-----------------------

Technical Drawings

2D	↓ ZIP
3D	↓ ZIP
Bim	↓ ZIP



Schematic light drawing



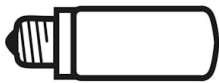
Photometric

Lighting type	Total
Light distribution	Roto symmetric

Electrical

Insulation class	II
Frequency (Hz)	50/60
Main voltage (Vac)	220-250
LED voltage Vf (Vdc)	null
Dimmable	Yes
Dimming interface	Remote Dimmable (Dimmer Not Included)
Batteries inside	No
Charging min time	No

Bulbs



NOT INCLUDED

RF32291

LED Lamp E14 8W 3000K T28



NOT INCLUDED

RF32768

LED Lamp 9W E14 220-240V
3000K T28



NOT INCLUDED

RF32290

LED Lamp E14 8W 2700K T28

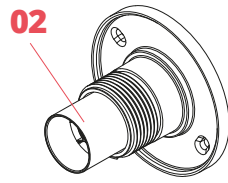
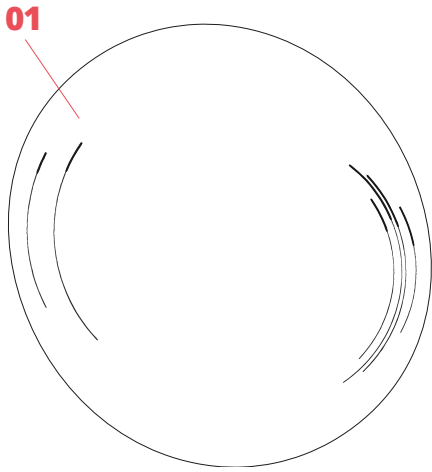


NOT INCLUDED

RF32767

LED Lamp 9W E14 220-240V
2700K T28

Spare Parts



01. Glo-Ball Ceiling/Wall/Basic Zero diffuser assembly RF3335100

02. Lamp holder fitting e14 RF18844

DOWNLOAD



RF3335100
Glo-Ball Ceiling/Wall/Basic Zero
diffuser assembly



RF18844
Lamp holder fitting e14