

FLOS

F3331009 White

Glo-Ball Basic Zero Switch

Designed by Jasper Morrison, 2009

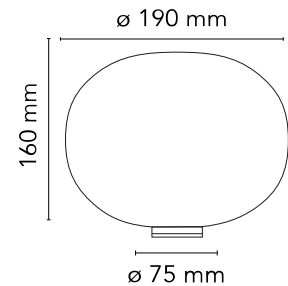


Halogen - 60W

Table/desk lamp providing diffused light. Diffuser consisting of an externally acidetched, hand blown, flashed opaline glass and a die-cast aluminum threaded ring nut with alodine plating finish. 30% fiberglass reinforced injection-molded polyamide base. Gray painted, die-cast aluminum diffuser support.

Are you a professional and your project needs consulting and support?

[BOOK AN APPOINTMENT](#)



Main specifications

EAN	8059607019320
Mounting	Table
Environments	Indoor dry location
Light Source Type	Bulb
Lamp category	Halogen
Lamp holders	E14
Ilcos	HSGS
Number of heads	1
Power (W)	60

Physical

Colour	White
Cord length (mm)	1900
Net weight (kg)	1
Package height (mm)	225
Package width (mm)	260
Package length (mm)	270
Package volume (m3)	0.02
IP internal	40

Download

[Mounting instructions](#) PDF

[Spare Parts](#) PDF

Photometric Files

[LDT / IES](#) LDT

Technical Drawings

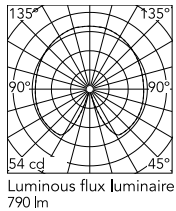
[2D](#) ZIP

[3D](#) ZIP

[Bim](#) ZIP



Schematic light drawing



Photometric

Lighting type	Total
Light distribution	Roto symmetric

Electrical

Insulation class	II
Frequency (Hz)	50/60
Main voltage (Vac)	220-240
LED voltage Vf (Vdc)	null
Dimmable	Yes
Dimming interface	Switch Integrated (Remote Dimmable)
Plug type	Type C
Batteries inside	No
Charging min time	No

Bulbs



NOT INCLUDED

RF32290

LED Lamp E14 8W 2700K T28



NOT INCLUDED

RF32291

LED Lamp E14 8W 3000K T28



NOT INCLUDED

RF32767

LED Lamp 9W E14 220-240V
2700K T28



NOT INCLUDED

RF32768

LED Lamp 9W E14 220-240V
3000K T28

Spare Parts



- | | | |
|-----|---|-----------|
| 01. | Glo-Ball Ceiling/Wall/Basic Zero
diffuser assembly | RF3335100 |
| 02. | Lamp holder fitting e14 | RF18844 |

DOWNLOAD



RF3335100
Glo-Ball Ceiling/Wall/Basic Zero
diffuser assembly



RF18844
Lamp holder fitting e14

FLOS

F3330009 White

Glo-Ball Basic Zero Dimmer

Designed by Jasper Morrison, 2009

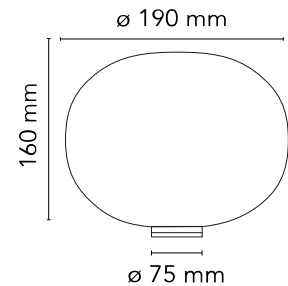


Halogen - 60W

Table/desk lamp providing diffused light. Diffuser consisting of an externally acidetched, hand blown, flashed opaline glass and a die-cast aluminum threaded ring nut with alodine plating finish. 30% fiberglass reinforced injection-molded polyamide base. Gray painted, die-cast aluminum diffuser support. On the cable there is the electronic dimmer which allows the regulation of light brightness.

Are you a professional and your project needs consulting and support?

BOOK AN APPOINTMENT



Main specifications

EAN	8059607019269
Mounting	Table
Environments	Indoor dry location
Light Source Type	Bulb
Lamp category	Halogen
Lamp holders	E14
Ilcos	HSGS
Number of heads	1
Power (W)	60

Physical

Colour	White
Cord length (mm)	1900
Net weight (kg)	1
Package height (mm)	225
Package width (mm)	260
Package length (mm)	270
Package volume (m3)	0.02
IP internal	40

Download

Mounting instructions [↓ PDF](#)

Spare Parts [↓ PDF](#)

Photometric Files

LDT / IES [↓ LDT](#)

Technical Drawings

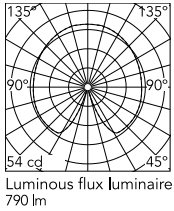
2D [↓ ZIP](#)

3D [↓ ZIP](#)

[🔒 Bim](#) [↓ ZIP](#)



Schematic light drawing



Photometric

Lighting type	Total
Light distribution	Roto symmetric

Electrical

Insulation class	II
Frequency (Hz)	50/60
Main voltage (Vac)	220-240
LED voltage Vf (Vdc)	null
Dimmable	Yes
Dimming interface	Dimmer Integrated
Plug type	Type C
Batteries inside	No
Charging min time	No

Bulbs



NOT INCLUDED

RF32291

LED Lamp E14 8W 3000K T28



NOT INCLUDED

RF32768

LED Lamp 9W E14 220-240V
3000K T28



NOT INCLUDED

RF32290

LED Lamp E14 8W 2700K T28

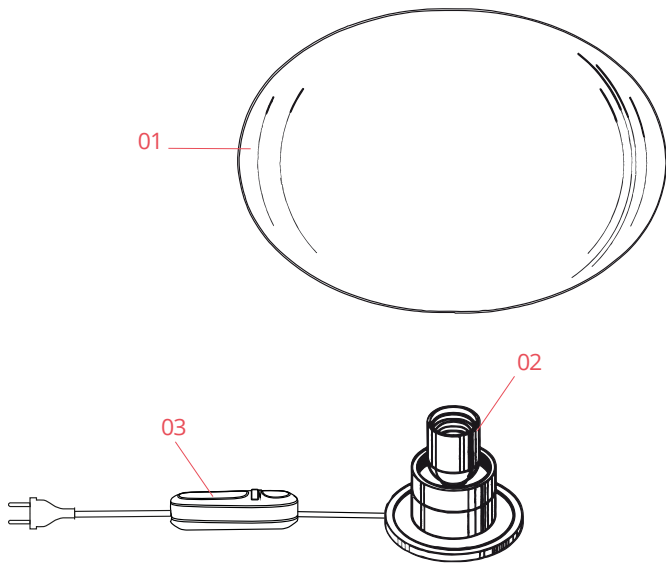


NOT INCLUDED

RF32767

LED Lamp 9W E14 220-240V
2700K T28

Spare Parts



01. Glo-Ball Ceiling/Wall/Basic Zero diffuser assembly RF3335100

02. Lamp holder fitting e14 RF18844

DOWNLOAD



RF3335100
Glo-Ball Ceiling/Wall/Basic Zero
diffuser assembly



RF18844
Lamp holder fitting e14

FLOS

F3021000 White

Glo-Ball Basic 1

Designed by Jasper Morrison, 1998

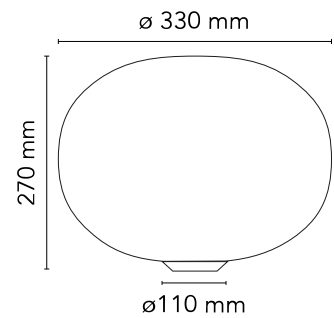
Halogen - 150W



Table/desk lamp providing diffused light. Diffuser consisting of an externally acidetched, hand blown, flashed opaline glass and a die-cast aluminum threaded ring nut with alodine plating finish. 30% fiberglass reinforced injection-molded polyamide base. Gray painted, die-cast aluminum diffuser support. On the cable there is the electronic dimmer which allows the regulation of light brightness.

Are you a professional and your project needs consulting and support?

[BOOK AN APPOINTMENT](#)



Main specifications

EAN	8059607002346
Mounting	Table
Environments	Indoor dry location
Light Source Type	Bulb
Lamp category	Halogen
Lamp holders	E27
Ilcos	HSGS
Number of heads	1
Power (W)	150

Physical

Colour	White
Cord length (mm)	1900
Net weight (kg)	2.61
Package volume (m3)	0.07
IP internal	20

Download

[Mounting instructions](#) PDF

[Spare Parts](#) PDF

Photometric Files

[LDT / IES](#) LDT

Technical Drawings

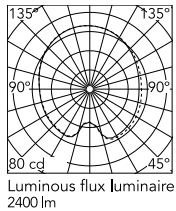
[2D](#) ZIP

[3D](#) ZIP

[Bim](#) ZIP



Schematic light drawing



Photometric

Lighting type	Total
Light distribution	Symmetric

Electrical

Insulation class	II
Frequency (Hz)	50/60
Main voltage (Vac)	220-240
LED voltage Vf (Vdc)	null
Dimmable	Yes
Dimming interface	Dimmer Integrated
Plug type	Type C
Batteries inside	No
Charging min time	No

Bulbs



NOT INCLUDED

RF32288

LED Lamp E27 15W 2700K T38

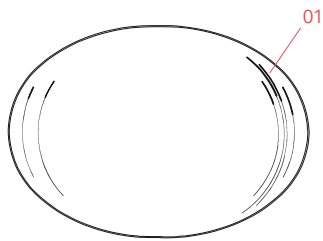


NOT INCLUDED

RF32289

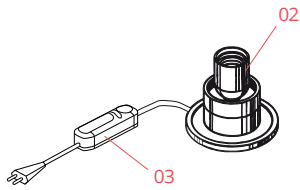
LED Lamp E27 15W 3000K T38

Spare Parts



- | | | |
|-----|--|-----------|
| 01. | Glo-Ball 1 opal diffuser. Grey
Base | F3050061 |
| 02. | New version lamp holder | RF2500200 |

DOWNLOAD





F3050061

Glo-Ball 1 opal diffuser. Grey Base



RF2500200

New version lamp holder

FLOS

F3026000 White

Glo-Ball Basic 2

Designed by Jasper Morrison, 1998

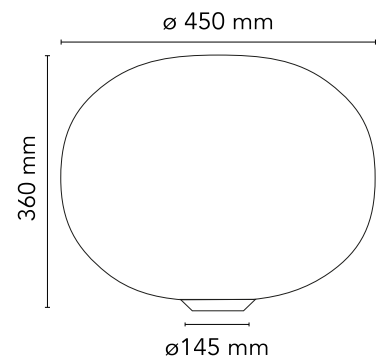


Halogen - 150W

Table/desk lamp providing diffused light. Diffuser consisting of an externally acidetched, hand blown, flashed opaline glass and a die-cast aluminum threaded ring nut with alodine plating finish. 30% fiberglass reinforced injection-molded polyamide base. Gray painted, die-cast aluminum diffuser support. On the cable there is the electronic dimmer which allows the regulation of light brightness.

Are you a professional and your project needs consulting and support?

BOOK AN APPOINTMENT



Main specifications

EAN	8059607002414
Mounting	Table
Environments	Indoor dry location
Light Source Type	Bulb
Lamp category	Halogen
Lamp holders	E27
Ilcos	HSGS
Number of heads	1
Power (W)	150

Physical

Colour	White
Cord length (mm)	1900
Net weight (kg)	4.02
Package volume (m3)	0.13
IP internal	20

Download

Mounting instructions	↓ PDF
Spare Parts	↓ PDF

Photometric Files

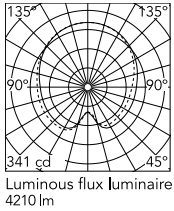
LDT / IES	↓ LDT
-----------	-------

Technical Drawings

2D	↓ ZIP
3D	↓ ZIP
Bim	↓ ZIP



Schematic light drawing



Photometric

Lighting type	Total
Light distribution	Roto symmetric

Electrical

Insulation class	II
Frequency (Hz)	50/60
Main voltage (Vac)	220-240
LED voltage Vf (Vdc)	null
Dimmable	Yes
Dimming interface	Dimmer Integrated
Plug type	Type C
Batteries inside	No
Charging min time	No

Bulbs



NOT INCLUDED

RF26258

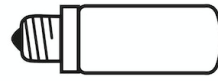
LED Lamp 18W E27 3000K T38
Dimmable



NOT INCLUDED

RF32288

LED Lamp E27 15W 2700K T38



NOT INCLUDED

RF26259

LED Lamp 18W E27 2700K
Dimmable

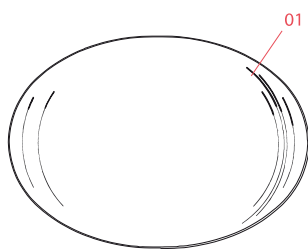


NOT INCLUDED

RF32289

LED Lamp E27 15W 3000K T38

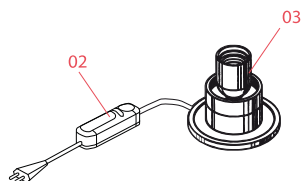
Spare Parts



01. Glo-Ball 2 opal diffuser. Grey F3055061
Base

03. New version lamp holder RF2500200

DOWNLOAD





F3055061

Glo-Ball 2 opal diffuser. Grey Base



RF2500200

New version lamp holder