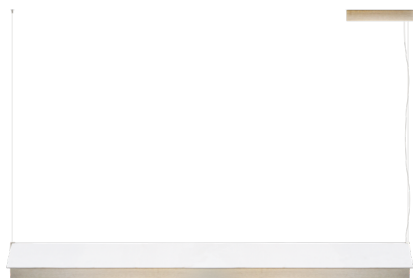


Fly

Massimiliano Raggi



SO



AP



PICTURE



Un segno deciso.

Una barra luminosa, sottile come una lama, potente come un taglio. Fly è una lampada duttile utilizzabile in più ambienti della casa o in ambito contract/hospitality e con l'associazione del diffusore tessile superiore o frontale nella versione a muro diventa un elemento di arredo, quasi una scultura luminosa soprattutto quando si presenta in ripetizione o in associazione di misure differenti. La sua trasversalità e la sua modernità sono manifeste, il suo utilizzo molto ampio.

A decisive statement.

A light-bar that is as thin as a blade, as sharp as a cut. Fly is a flexible lamp that can be used in several rooms of the house, or in the contract and hospitality sector. When used with the upper or front textile diffuser in the wall version, it becomes a piece of furniture – almost a luminous sculpture, especially when it is repeated, or combined in different ways. The lamp's versatility and its modernity are evident, with a wide range of applications.

SPECIFICHE PRODOTTO / PRODUCT SPECIFICS

FLY SO L.120
FLY SO L.170

p.2

FLY AP
FLY AP VELA

p.3
p.4

FLY PICTURE

p.5
p.6

p.7

STRUTTURA / FRAME

Nickel dorato satinato
Satin gold nickel

STRUTTURA / FRAME

Tessuto effetto marmo
bianco Calacatta
*White Calacatta marble
printed fabric*



Cotone bianco
White cotton

FONTE LUMINOSA / LIGHT SOURCE**220-240V**

Strip LED

**SO L.120 (Doppia emissione / Double emission)
Superiore / Upper**

1 x 17W

Strip LED

Emissione / Light emission: 2.000 Lm

Inferiore / Lower

1 x 23W

Strip LED

Emissione / Light emission: 2.800 Lm

2.700 K; CRI: >90

IP20

SO L.170 (Doppia emissione / Double emission)**Superiore / Upper**

1 x 24W

Strip LED

Emissione / Light emission: 3.000 Lm

Inferiore / Lower

1 x 33W

Strip LED

Emissione / Light emission: 4.000 Lm

2.700 K; CRI: >90

IP20

AP (Doppia emissione / Double emission)**Fronte-Retro / Front-Back**

1 x 21W

Strip LED

Emissione / Light emission: 2.600 Lm

2.700 K; CRI: >90

IP20

PICTURE

1 x 12W

Strip LED

Emissione / Light emission: 1.500 Lm

2.700 K; CRI: >90

IP20

Dimmerabile DALI/Push.

Altri sistemi di dimmerazione disponibili su richiesta

DALI/Push dimmable.

Other dimming systems available on request

110V

Strip LED

**SO L.120 (Double emission)
Upper**

1 x 17W

Strip LED

Light emission: 2.000 Lm

Lower

1 x 23W

Strip LED

Light emission: 2.800 Lm

2.700 K; CRI: >90

IP20

SO L.170 (Double emission)**Upper**

1 x 24W

Strip LED

Light emission: 3.000 Lm

Lower

1 x 33W

Strip LED

Light emission: 4.000 Lm

2.700 K; CRI: >90

IP20

AP (Double emission)**Front-Back**

1 x 21W

Strip LED

Light emission: 2.600 Lm

2.700 K; CRI: >90

IP20

PICTURE

1 x 12W

Strip LED

Light emission: 1.500 Lm

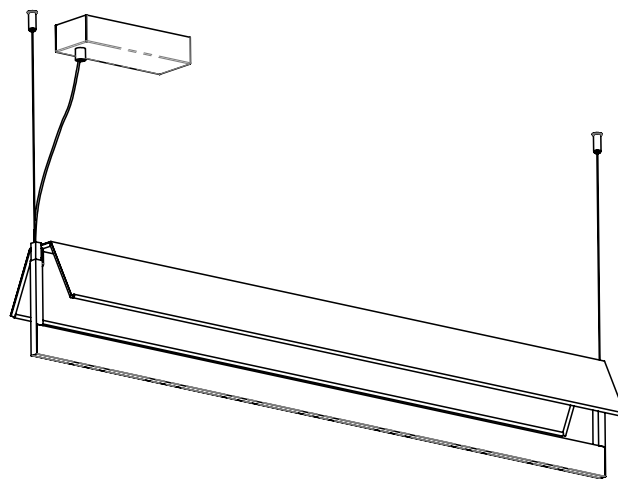
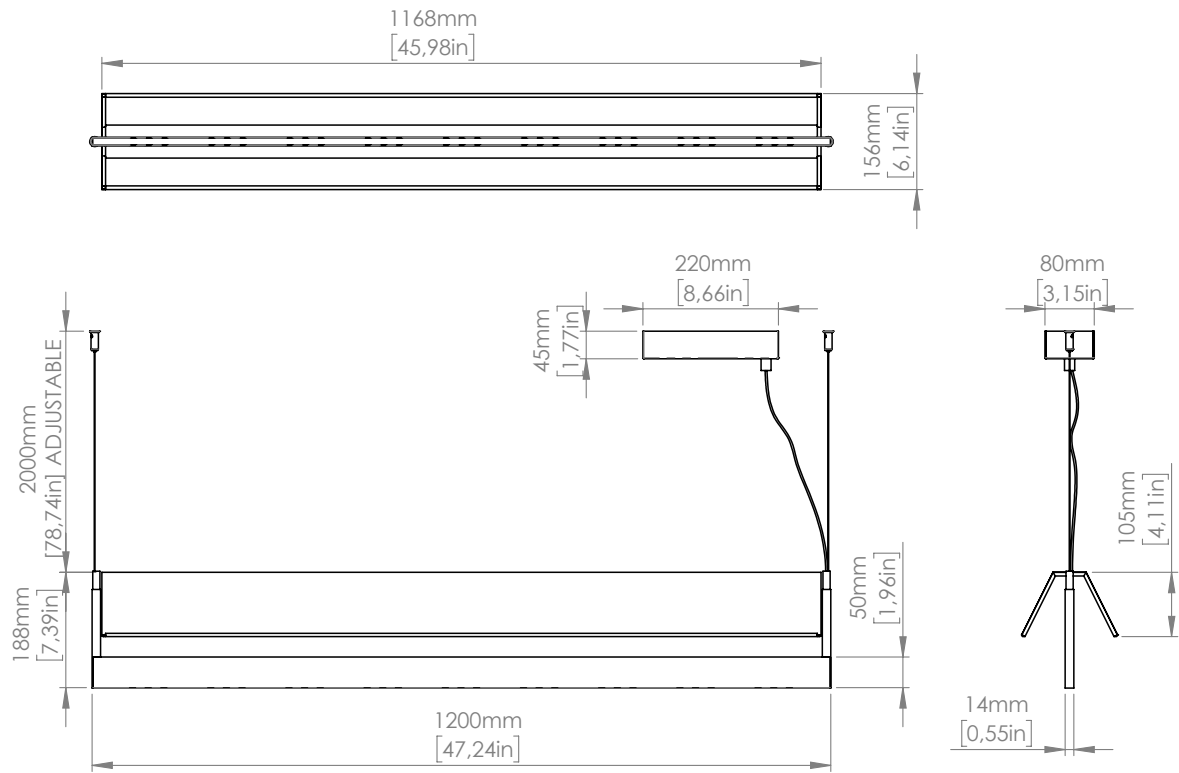
2.700 K; CRI: >90

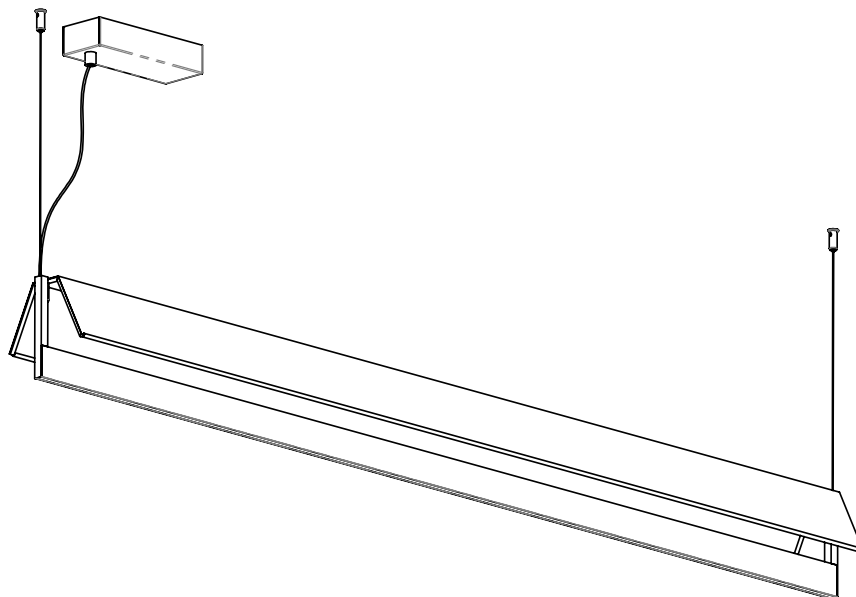
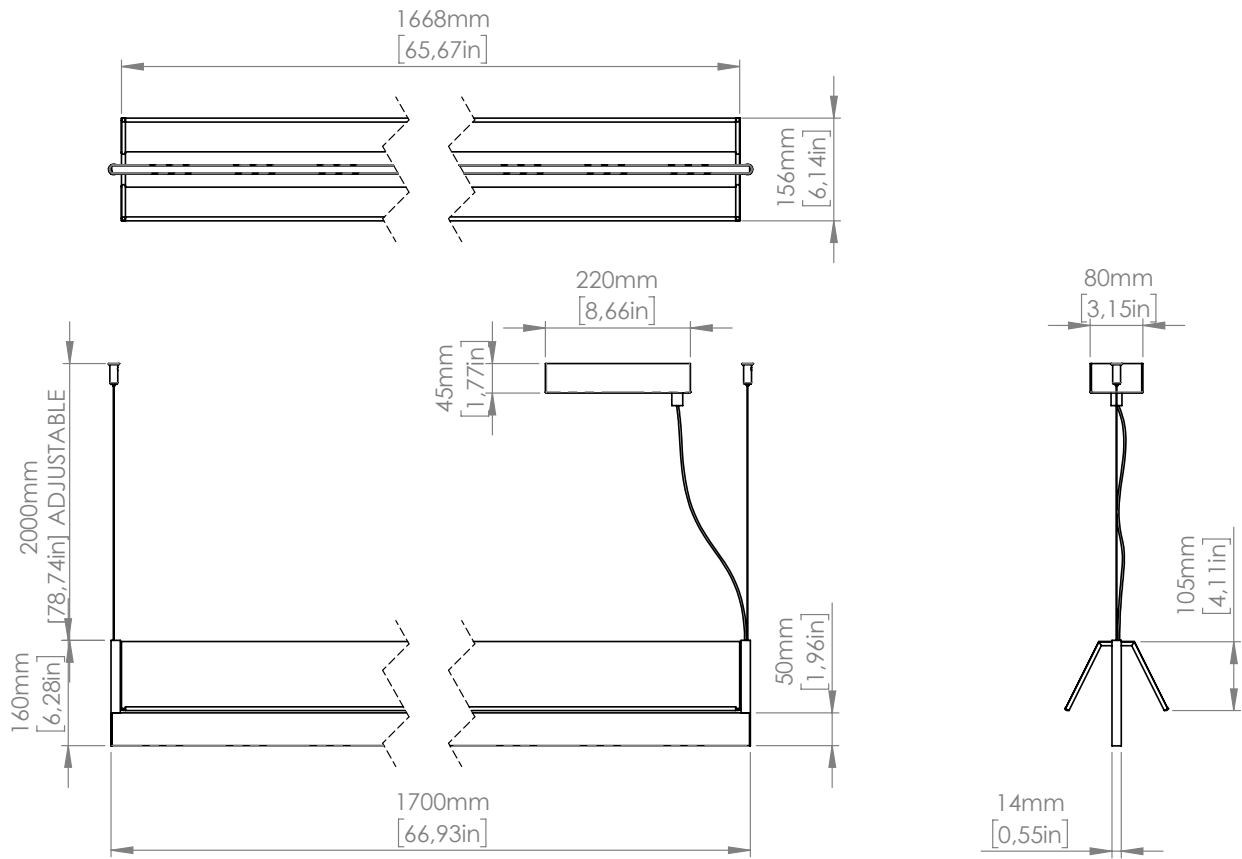
IP20

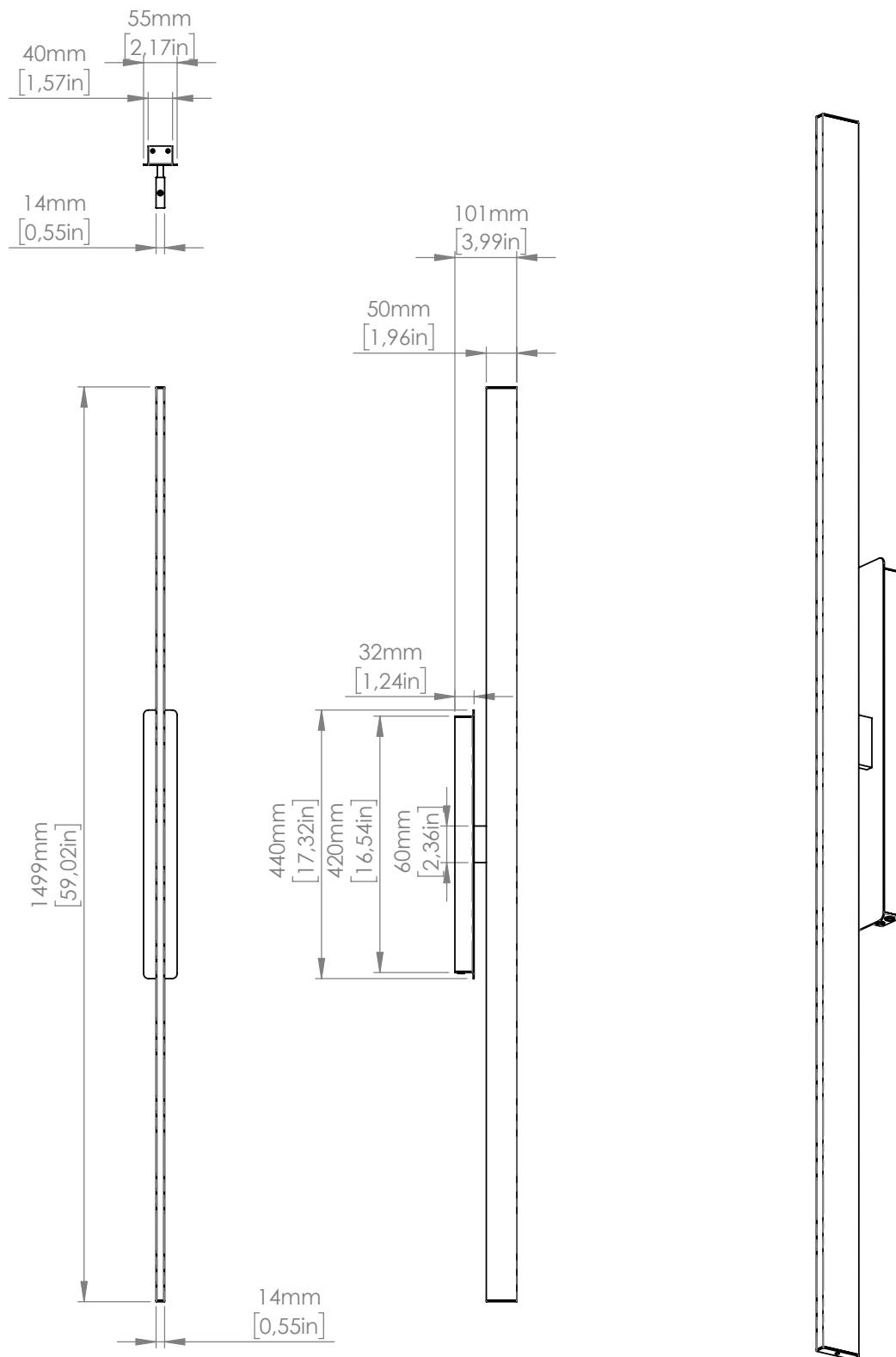
1..10V dimmable.

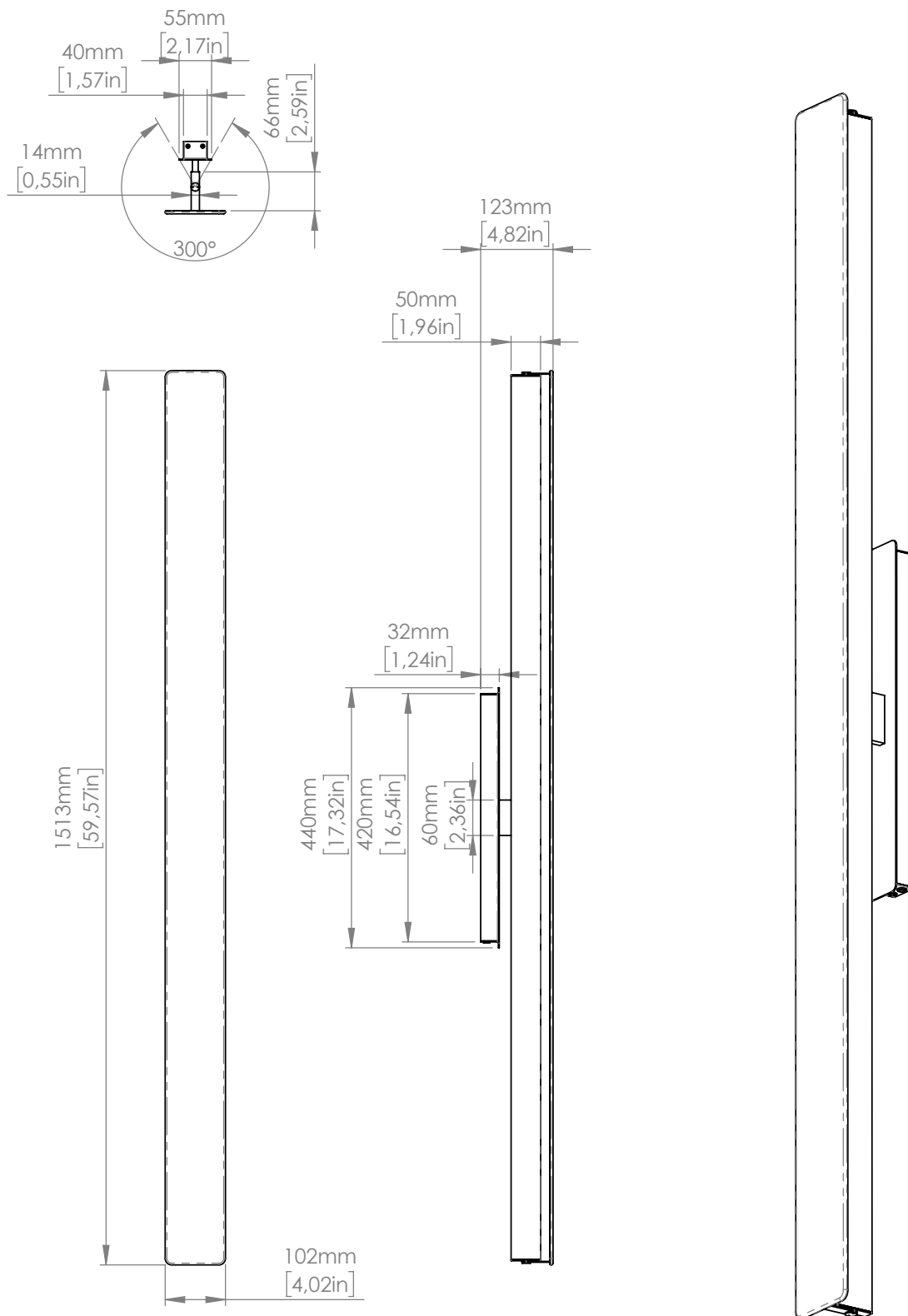
Other dimming systems available on request

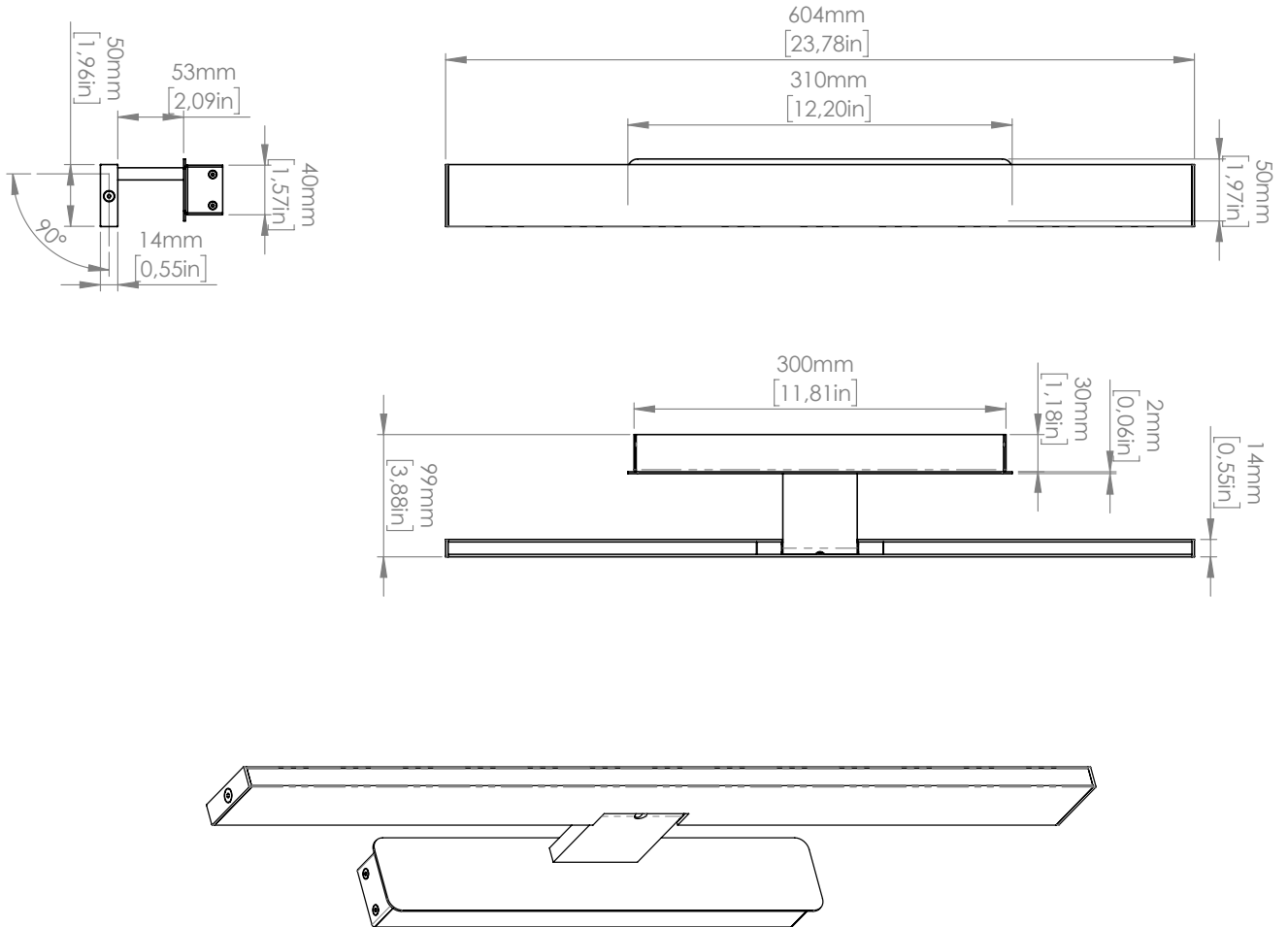












Copyright and/or design rights subsist in this drawing. No part of this drawing may be reproduced in any material form (including photocopying or storing in any medium electronic means, whether or not intentionally and whether or not as part or a larger publication) without the express permission of the copyright owner, Contardi Lighting S.r.l.. Further and without prejudice to the above, this drawing and all information relating thereto is confidential, and shall not be communicated to a third party without the consent of Contardi lighting srl. Contardi lighting srl asserts all rights to be identified as the author of the work and otherwise.

WARNING: The doing of any unauthorised act in relation to a copyright work may result in both a civil claim for damages and criminal prosecution.

CONTARDI LIGHTING Srl

ITALY HEADQUARTERS

www.contardi-italia.com / sales@contardi-italia.it

CONTARDI USA Inc

USA BRANCH

www.contardi-usa.com / sales@contardi-usa.com

