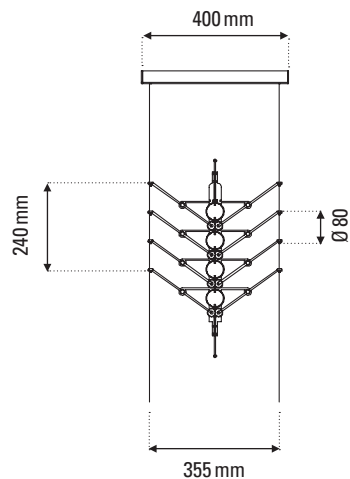
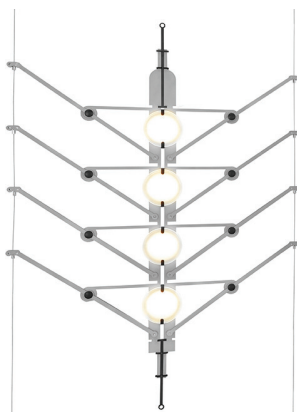




de Vantot



## FICHE TECHNIQUE TECHNICAL SHEET



SUSPENSION

PENDANT LAMP

**Matériau** Aluminium anodisé  
Material Anodized aluminum

**Poids net** 0,4Kg  
Net weight

**Emballage** 440 x 645 x 75 mm  
Packaging

**IP** 20  
IP

**Tension** 230V  
Voltage

**Classe** 1  
Class

**Watt** 2W (8 x 0,25W)  
Watt

**Source** INTEGRATED LED 2700K  
Source

**Lumens** 200lm (valeur nominale)  
Lumens output 200lm (nominal value)

**Driver** Driver fourni (178 x 61 x 24 mm)  
Dimmable TRIAC 5A / 12V / 60W  
Driver supplied (178 x 61 x 24 mm)  
TRIAC dimmable 5A / 12V / 60W

**Câble** Longueur : 5 m  
Wire Length : 5 m

**Interrupteur** NA  
Switch

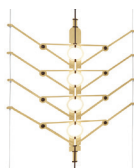
**Fiches** NA  
Plug

### FINITIONS FINISHES



Silver

SIL



Gold

GOL