

SPFLOAT

Design by Mario Alessiani

Multifunctional mobile battery lamp with integrated led source, for indoor and outdoor. Aluminum and stainless steel structure, high efficiency PC diffusor.

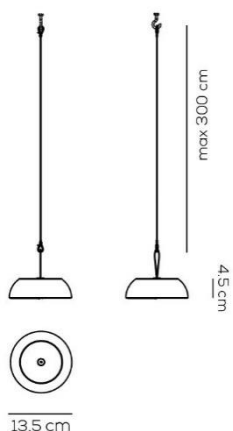
Dimmable 5 steps. 9 hours runtime with replaceable battery kit with at least 500 recharging cycles, at maximum efficiency.

Typology: SUSPENSION LAMP / WALL LAMP

Ratings

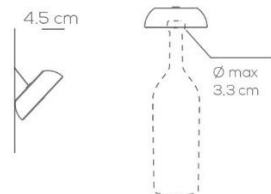
- Built in **LED** module
- CCT 2700
- IP55
- Dimmable 5 steps
- Aluminum body painted
- High efficiency PC diffusor
- Lithium battery (replaceable)
- 9 hours runtime

Weight 0,40 Kg
volume 0,0025 m³



FLOAT / suspension lamp / wall lamp / for installation on bottles

Type	Article	Colours / Finish	Source
SP	FLOATX	BC white / BC white	LED 3,5W - diffused beam 2700K
		BL blue / BC white	
		NE black / NE black	
		CG concrete green / CO concrete gray	
		MD mauve dust / BC white	



5 steps IP55 CRI 80 Li-Ion battery 500 cycles 9 hours **LED** ~200 lm 57.14 lm/W
 example composition code SP FLOATX BL BC LED

Available colours

COLOURS BODY



White Blue Black Concrete green Mauve dust

COLOURS TOP



White Black Concrete gray

SPFLOATX_ _ _ LED CUSTOMER _____ NOTES _____

NOTICE: Luminous flux (lm) and efficacy (lm/W) for all built in LED luminaires is based on nominal ratings of the LED sources. Technical data could be subject to alteration without notice. Axo Light does not provide legal guarantee for the accuracy of this data sheet.



LTFLOAT

Design by Mario Alessiani

Multifunctional mobile battery lamp with integrated led source, for indoor and outdoor. Aluminum and stainless steel structure, high efficiency PC diffusor. Dimmable 5 steps. 9 hours runtime with replaceable battery kit with at least 500 recharging cycles, at maximum efficiency.

Typology: TABLE LAMP

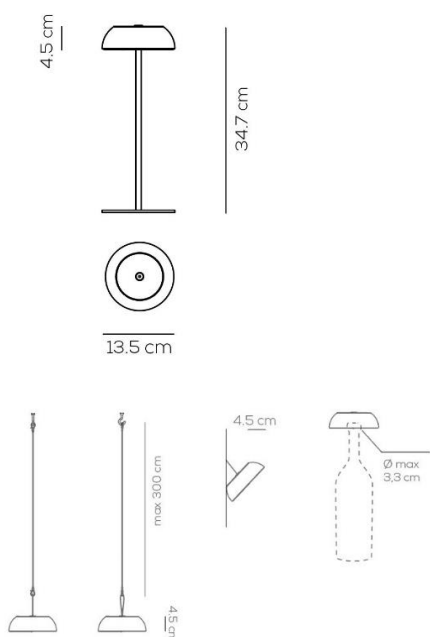
Ratings

- Built in **LED** module
- CCT 2700
- IP55
- Dimmable 5 steps
- Aluminum and stainless steel body painted
- High efficiency PC diffusor
- Lithium battery (replaceable)
- 9 hours runtime

Weight 0,90 Kg
volume 0,007 m³

FLOAT / table lamp / wall lamp / suspension lamp / for installation on bottles

Type	Article	Colours / Finish	Source
LT	FLOATX	BC white / BC white	LED 3,5W - diffused beam 2700K
		BL blue / BC white	
		NE black / NE black	
		CG concrete green / CO concrete gray	
		MD mauve dust / BC white	



CE 5 steps IP55 CRI 80 Li-Ion battery 500 cycles 9 hours **LED** ~200 lm 57.14 lm/W

example composition code LT FLOATX BL BC LED

Available colours

COLOURS BODY



White Blue Black Concrete green Mauve dust

COLOURS TOP



White Black Concrete gray

LTFLOATX_ _ _ _LED CUSTOMER _____ NOTES _____

NOTICE: Luminous flux (lm) and efficacy (lm/W) for all built in LED luminaires is based on nominal ratings of the LED sources. Technical data could be subject to alteration without notice. Axo Light does not provide legal guarantee for the accuracy of this data sheet.



PTFLOAT

Design by Mario Alessiani

Multifunctional mobile battery lamp with integrated led source, for indoor and outdoor. Aluminum and stainless steel structure, high efficiency PC diffusor. Dimmable 5 steps. 9 hours runtime with replaceable battery kit with at least 500 recharging cycles, at maximum efficiency.

Typology: FLOOR LAMP

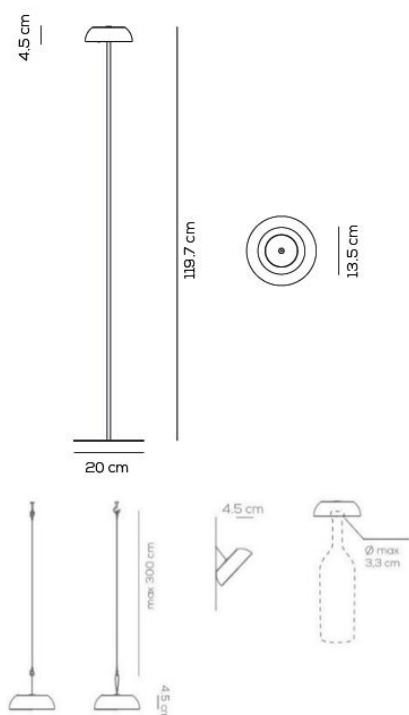
Ratings

- Built in **LED** module
- CCT 2700
- IP55
- Dimmable 5 steps
- Aluminum and stainless steel body painted
- High efficiency PC diffusor
- Lithium battery (replaceable)
- 9 hours runtime

Weight 1,6 Kg
volume 0,0062 m³

FLOAT / floor lamp / wall lamp / suspension lamp / for installation on bottles

Type	Article	Colours / Finish	Source
PT	FLOATX	BC white / BC white	LED 3,5W - diffused beam 2700K
		BL blue / BC white	
		NE black / NE black	
		CG concrete green / CO concrete gray	
		MD mauve dust / BC white	



5 steps IP55 CRI 80 Li-Ion battery 500 cycles 9 hours **LED** ~200 lm 57.14 lm/W
 example composition code PT FLOATX BL BC LED

Available colours

COLOURS BODY



COLOURS TOP



White

Blue

Black

Concrete green

Mauve dust

White

Black

Concrete gray

PTFLOATX_ _ _ LED

CUSTOMER _____

NOTES _____

NOTICE: Luminous flux (lm) and efficacy (lm/W) for all built in LED luminaires is based on nominal ratings of the LED sources. Technical data could be subject to alteration without notice. Axo Light does not provide legal guarantee for the accuracy of this data sheet.