

ENIGMA 545

The fixture emits glare-free, soft, comfortable downward light. The shade design ensures even illumination of the surface. The matt upper surface diffuses the light, while the glossy lower surface ensures optimal reflection.



Shoichi Uchiyama

Shoichi Uchiyama was born and bred in Tokyo. Since the foundation of Shoichi Uchiyama Design Office in 1977, he has been committed to creation of lighting fixtures with glare-free indirect light that make objects beautiful, and allow people to feel the texture and depth of objects.



Sinatur Hotel



RealDania

Product info

Mounting

Suspension type: Cable 2x0,75mm². Canopy: Yes. Cable length: 3m

Finish

Brushed aluminium, clear coated or black wet painted. Shades: White or black acrylic.

Materials

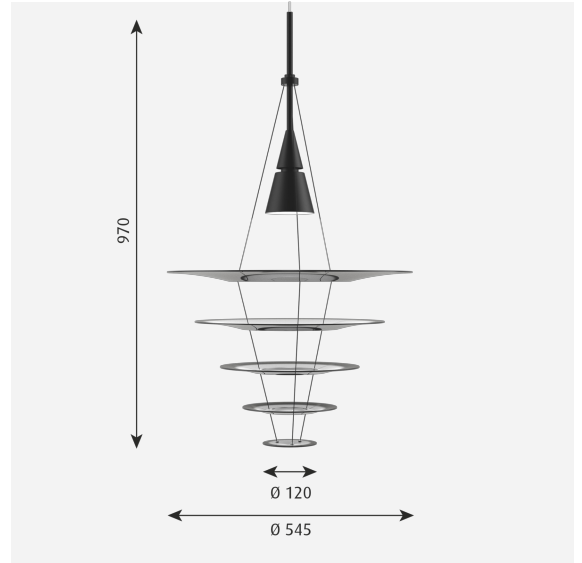
Cone and pendant tube: Lacquered or wet painted brushed aluminium. Wire: Stainless steel. Shades: Acrylic.

Sizes and weights

Width x Height x Length (mm) | 545 x 970 x 545 Max 2.1 kg

Class

Ingress protection IP20. Electric shock protection II w/o ground.



Related products



Enigma 425



Enigma 825



Enigma 825 LED Upgrade Kit

Product variants

| Colour | Cable type |
|-----------|--------------|
| ● Black | Black cord |
| ● Br. alu | Transp cable |

Design

Shoichi Uchiyama

Weight

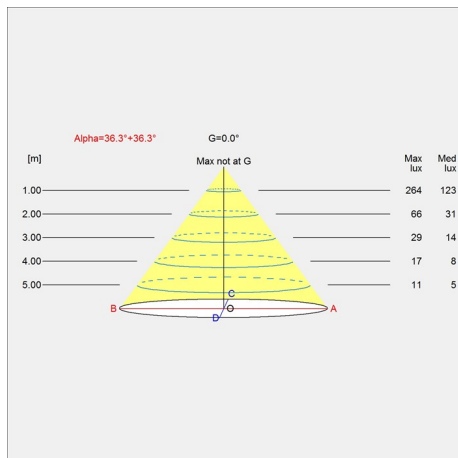
Min: 1.78 kg Max: 2.125 kg

Finish

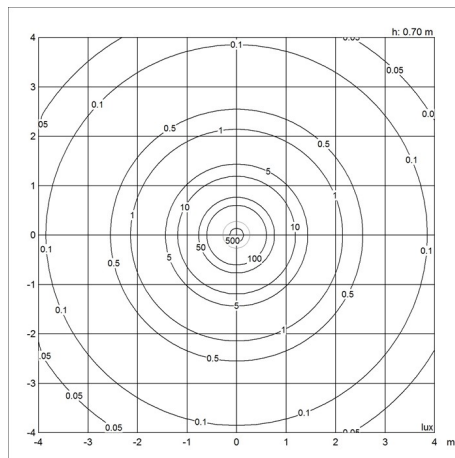
Black, Br. alu

Light distribution diagrams

Cartesian



Isolux



Polar

