

Installation Guide

BASALT NINE PENDANT

Thoughtful lighting, responsibly designed in London.

Thank you for making the switch to Tala.
Discover the full Tala family at tala.co.uk

BEFORE STARTING

We advise the fitting of our canopy and pendants to be performed by a qualified electrician. Please read through these instructions before commencing work, and keep them for future reference. Please take extreme care when carrying out these instructions.

IMPORTANT

This light fitting must be connected to the supply earth. If your lighting circuit does not have an earth, ask a qualified electrician to provide an earth facility. This light fitting is suitable for indoor use only. This fitting operates on 240V mains voltage. Please visit our website to see our recommended dimmers.

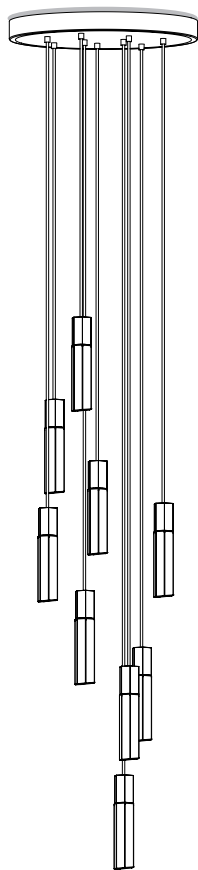
WARNING

You must switch off electricity supply at the mains during installation and maintenance. We strongly recommend that you withdraw the fuse or switch off the circuit breaker whilst work is in progress. Do not only turn off the wall switch. All fittings must be installed in accordance with current Building Regulations and IEE Wiring Regulations.

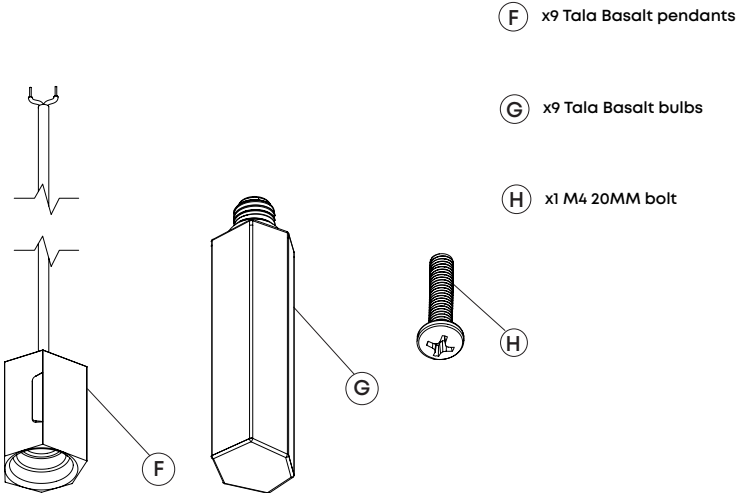
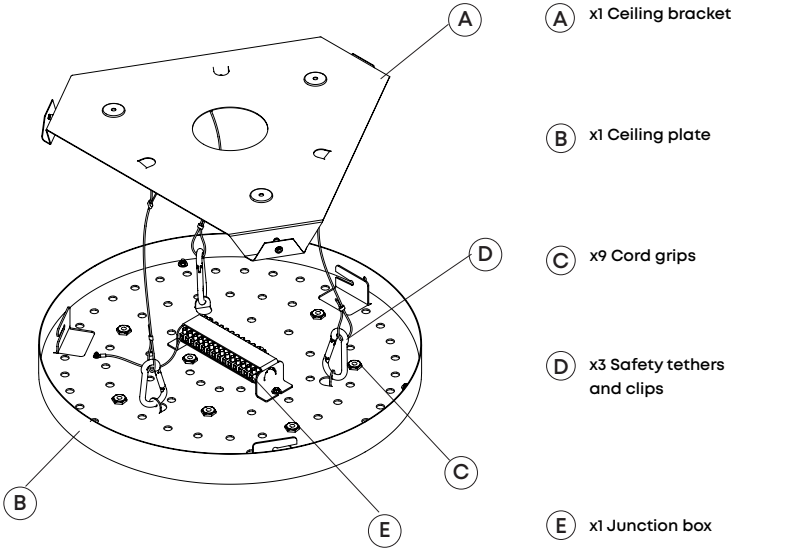
RECOMMENDED EQUIPMENT

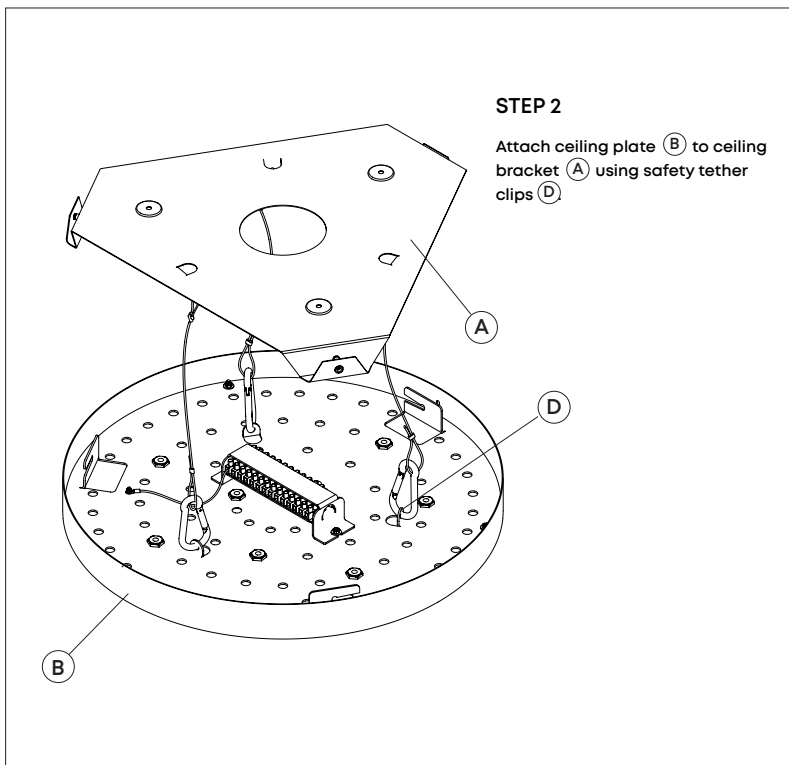
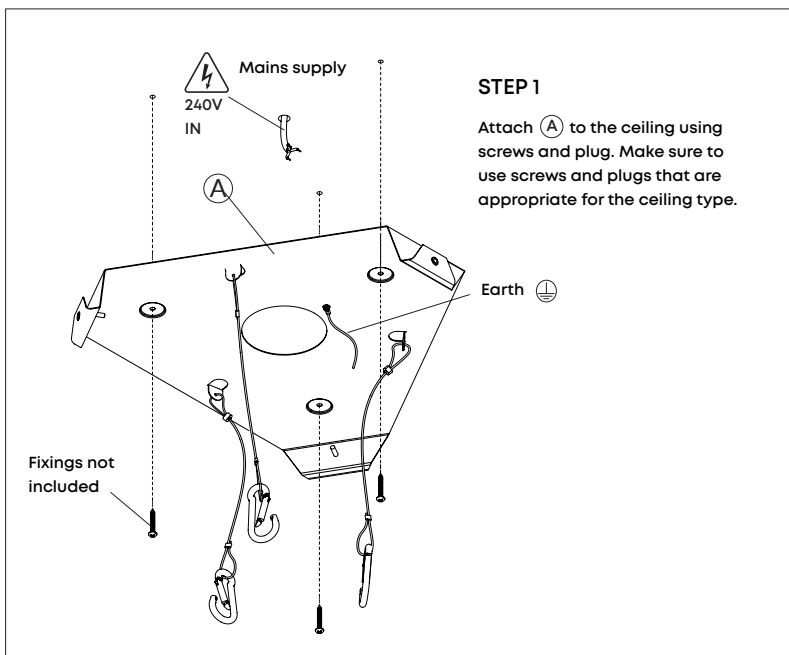
- Screwdriver
- Wire strippers
- Insulation tape

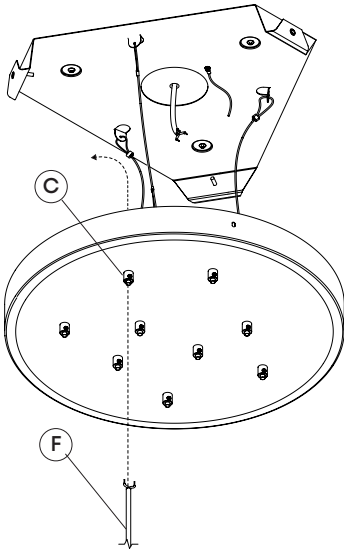
Further equipment may be required for fixing to your ceiling



Nine Pendant - Provided Components

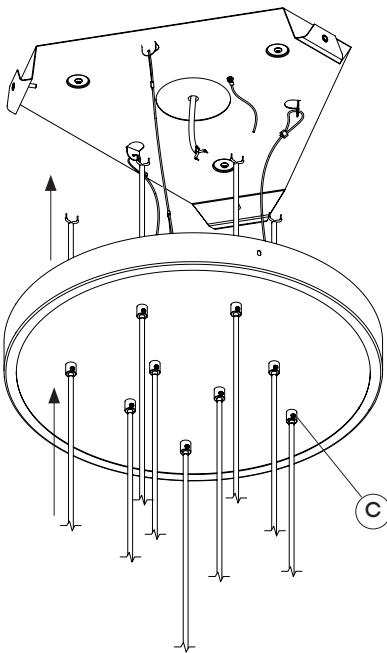






STEP 3

Thread all nine pendant cables (F) through ceiling plate cord grips (C)



STEP 4

Pull cables through to your desired length.

See end of this guide for our recommended lengths and distance between bulbs.

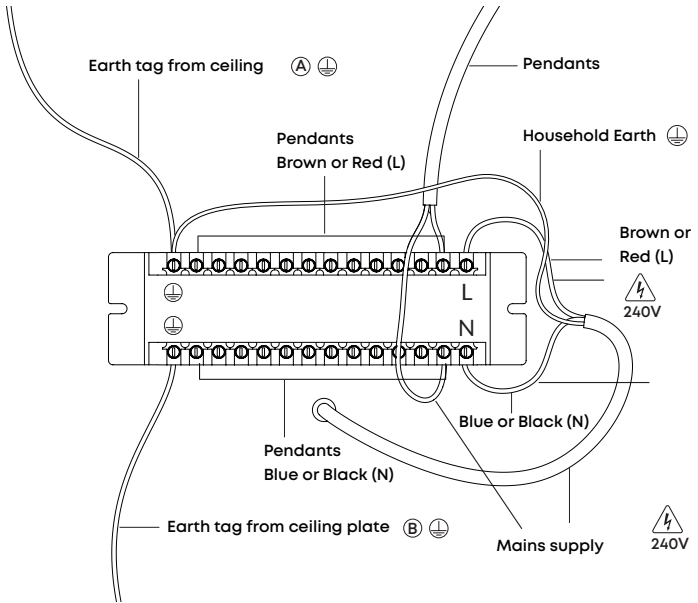
Using a flat head screwdriver, tighten set screws (C) to secure them.

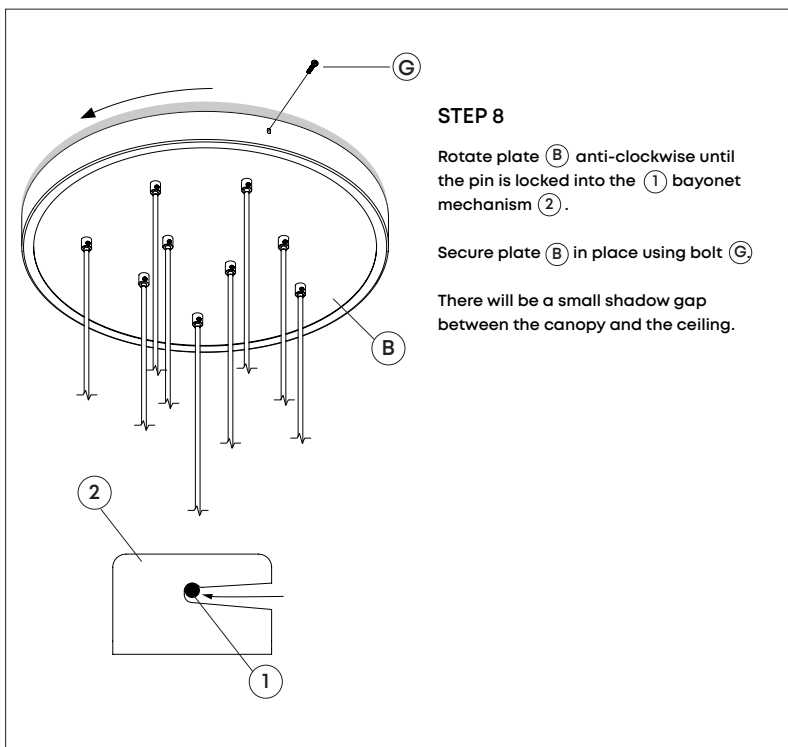
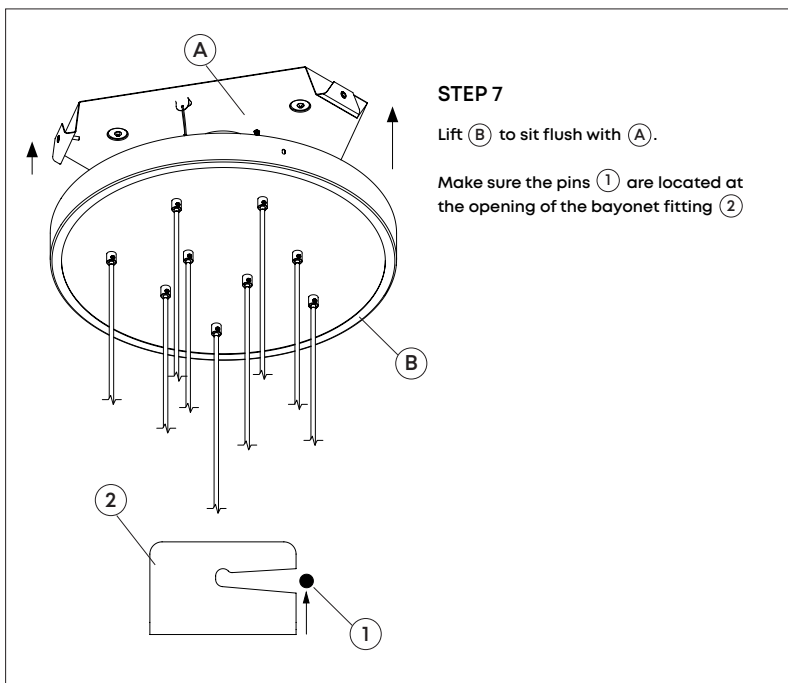
STEP 5

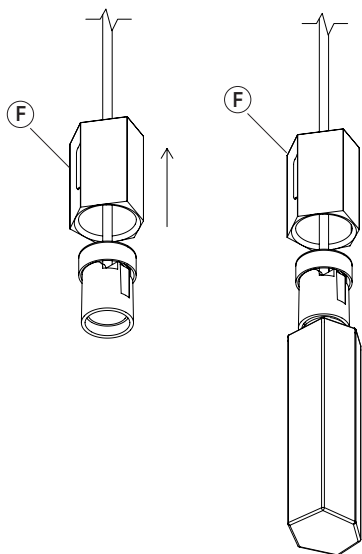
Cut off excess cable and strip wires to expose the copper core. Maintain all double insulation.

STEP 6

Connect the pendants, plate and mains wiring as shown.



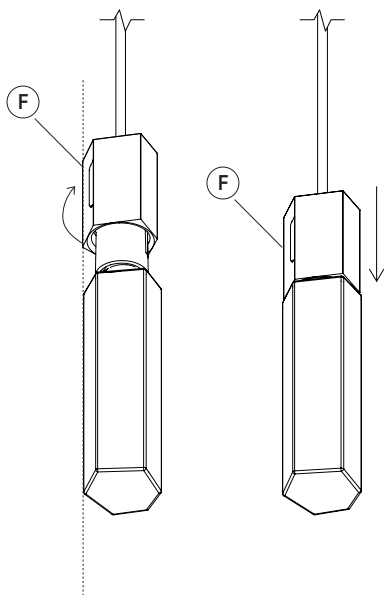




STEP 9

Lift the metal pendant sleeve (F) and screw the bulb firmly into the socket.

Take care to prevent the metal sleeve from dropping onto the glass bulb.

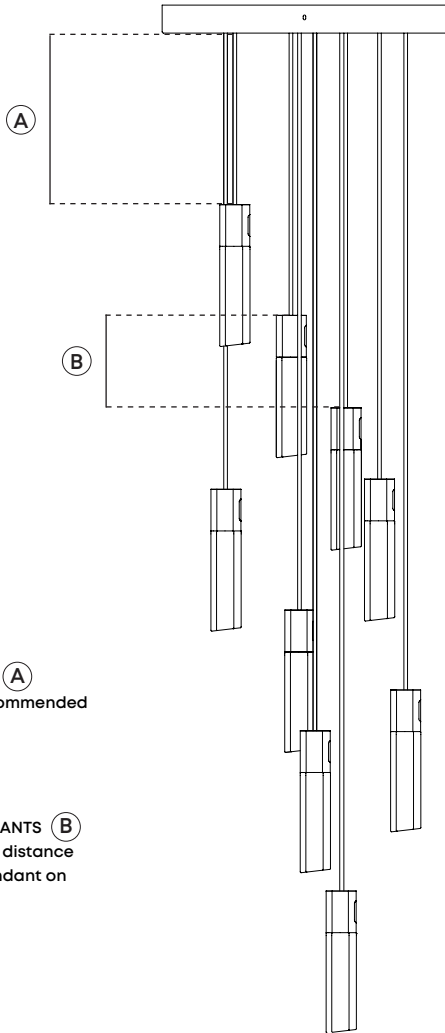


STEP 10

Rotate metal sleeve (F) to align with the contours of the bulb.

Carefully lower the metal sleeve (F) to sit flush with the bulb and make final tweaks to the alignment to achieve intended design.

PENDANTS DISPLAY GUIDE

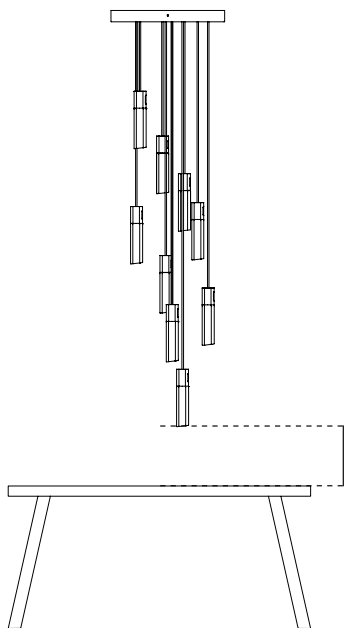


MINIMUM CORD LENGTH (A)
For all bulbs shortest recommended
cord length is 350mm

DISTANCE BETWEEN PENDANTS (B)
Recommended minimum distance
between pendant, dependant on
bulb style, are as follows:

- Voronoi I - 150mm
- Voronoi II - 200mm
- Voronoi III - 350mm
- Basalt - 100mm
- All other bulbs - 100mm

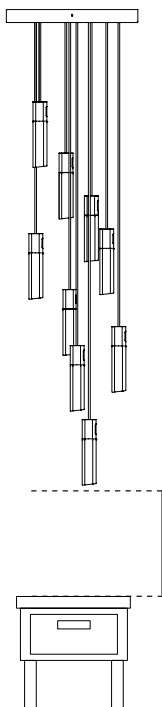
PENDANTS - RECOMMENDED CABLE LENGTHS



SCENARIO 1

Above a coffee or dining table,
or where height is required for
seated tasks

Minimum Distance
700mm



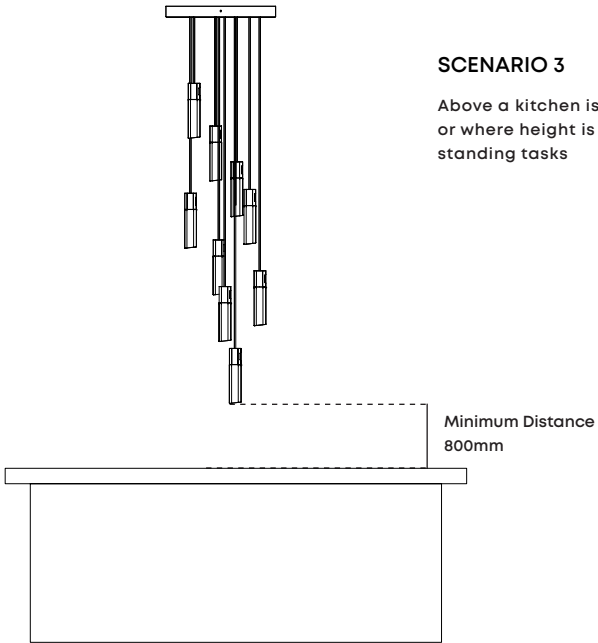
SCENARIO 2

Above side tables, or where
height is required for storage

Minimum Distance
500mm

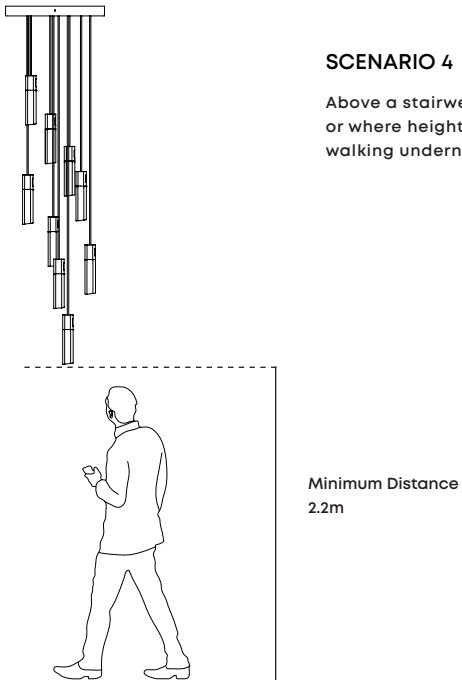
SCENARIO 3

Above a kitchen island or bar,
or where height is required for
standing tasks



SCENARIO 4


Above a stairwell or walkway,
or where height is required for
walking underneath



WARRANTY AND AFTER-CARE

This product has a two-year warranty. If there appears to be a functional defect with the product during this time, please contact our team at customerservice@tala.co.uk.

Please note, the flexible cable attached to this luminaire cannot be replaced; if the cable is damaged, recycle the luminaire and seek a replacement.

This symbol  indicates that electrical and electronic equipment (WEEE) should not be mixed with general household waste.

For recovery and recycling, please take this product to a designated collection point where it will be accepted free of charge. Many retailers offer this in-store. Disposing of this product correctly will help save valuable resources and prevent any potential negative effects on human health and the environment.

Join the Community

Instagram: @tala | Facebook: talaHQ | Pinterest: TalaLED | Tag: lighttoliveby
Tala Energy Ltd. 25B Vyner Street, London E2 9DG | hello@tala.co.uk
Tala Europe B.V, Bertus Aafjeshove 40, Nieuwegein 3437JN, Netherlands