

# DATASHEET

Type: **DOUBLE**  
Name: Pendant light  
ID: PC1293  
Designed by: LCM MARIN design studio



Download

## Description

Double, a new collection of pendant lights, is based on a shape consisting of two elements made from two different materials – glass and lightweight aluminium. These elements depend on one another to generate a unique and consonant form. The glass globe terminating in a metal ring provides a suggestive effect, with the handle on top alluding to the idea of transporting the light. In the pendant variant, which is available in three different shapes, the upper metal section with wire rope seeks equilibrium in the scattered light and shadows as they pass through the lower metal ring and globe, the latter crafted from multiple layers of molten glass that are carefully scrutinized by the master glassmaker prior to blowing. The luminance of the LED light source is softened by an opal diffuser. By virtue of its scope, the Double collection is ideal for private interiors and works very well in large compositions and colour combinations.



## Tech. description

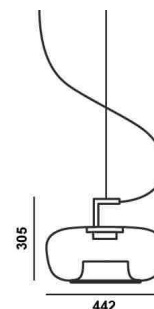
The luminaire consists of a glass shade, metal frame with integrated LED module, metal caps, metal printout on the lower edge of the screen, supply cable and steel cable. The luminaire is suspended from the ceiling canopy by means of a supporting steel cable.

Colours options: [https://brokis.sharepoint.com/:b:/s/brokis\\_sp/EaYQoTiNqGZJqC4TxdGm30BzBTIdByePv7P9QmGGrj6FA](https://brokis.sharepoint.com/:b:/s/brokis_sp/EaYQoTiNqGZJqC4TxdGm30BzBTIdByePv7P9QmGGrj6FA)

## CONSTRUCTION SPECIFICATION

**Weight:** 4.8 kg  
**Construction material:** glass, metal  
**Cord length [mm]:** 2,200 mm  
**Mounting:** Ceiling  
**Environment:** Indoor

## DIMENSIONS [mm]



## ELECTRICAL SPECIFICATION

**Input voltage [V]:** 100 - 240 V  
**Frequency [Hz]:** 50-60 Hz  
**Max. power [W]:** 9 W  
**Coverage IP:** 20  
**Socket:** LED module  
**Light source:** -  
**Energy class:** E

## CERTIFICATIONS



BROKIS®

BROKIS S.R.O.  
ŠPANILOVA 1315/25  
163 00 PRAHA 6 - ŘEPY  
CZECH REPUBLIC

ORG ID 64940799  
VAT ID CZ64940799  
C 42174 MĚSTSKÝ SOUD  
V PRAZE

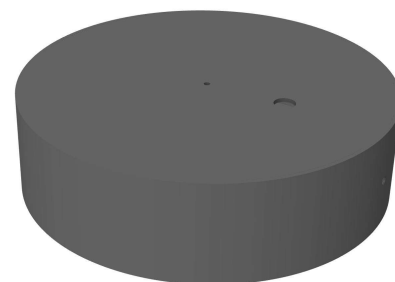
TEL +420 567 211 517  
TECHNICAL@BROKIS.CZ  
INFO@BROKIS.CZ  
WWW.BROKIS.CZ

2022\_03  
PAGE 1



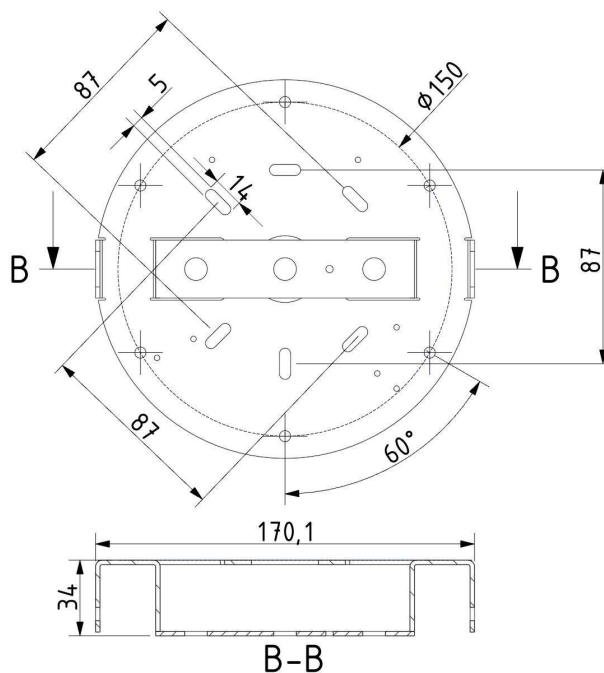
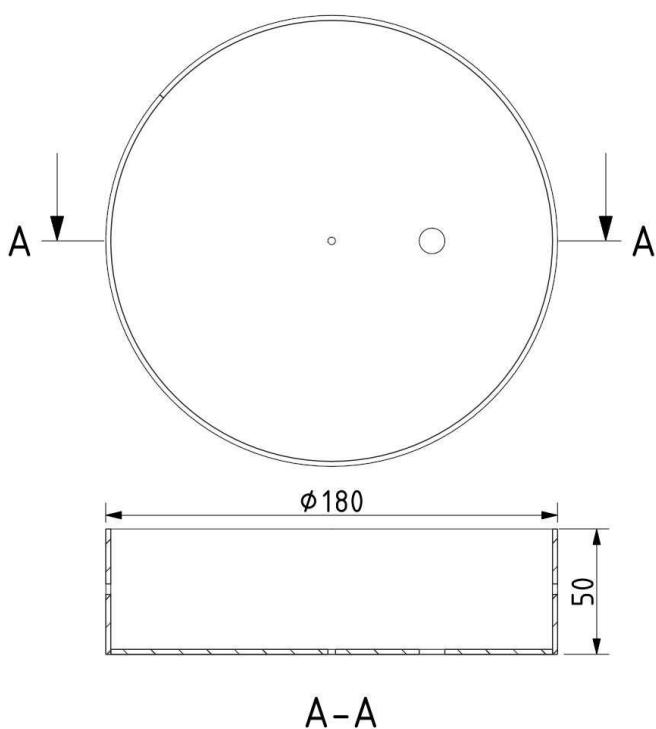
### INNER FIXTURE

Dimensions O x w [mm] 180 x 50 mm  
Weight [kg] 1.3 kg  
Material metal



### Drawing

### Hole placement





## Description

Double, a new collection of pendant lights, is based on a shape consisting of two elements made from two different materials – glass and lightweight aluminium. These elements depend on one another to generate a unique and consonant form. The glass globe terminating in a metal ring provides a suggestive effect, with the handle on top alluding to the idea of transporting the light. In the pendant variant, which is available in three different shapes, the upper metal section with wire rope seeks equilibrium in the scattered light and shadows as they pass through the lower metal ring and globe, the latter crafted from multiple layers of molten glass that are carefully scrutinized by the master glassmaker prior to blowing. The luminance of the LED light source is softened by an opal diffuser. By virtue of its scope, the Double collection is ideal for private interiors and works very well in large compositions and colour combinations.



## Tech. description

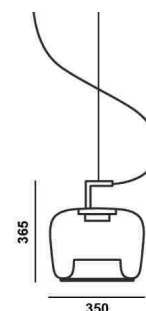
The luminaire consists of a glass shade, metal frame with integrated LED module, metal caps, metal printout on the lower edge of the screen, supply cable and steel cable. The luminaire is suspended from the ceiling canopy by means of a supporting steel cable.

Colours options: [https://brokis.sharepoint.com/:b:/s/brokis\\_sp/EY05wX0ZFoRFtBIVldgPcrUBUOBPLeyTZi2Up47-2RJTVQ](https://brokis.sharepoint.com/:b:/s/brokis_sp/EY05wX0ZFoRFtBIVldgPcrUBUOBPLeyTZi2Up47-2RJTVQ)

## CONSTRUCTION SPECIFICATION

<b>Weight:</b>	6.8 kg
<b>Construction material:</b>	glass, metal
<b>Cord length [mm]:</b>	2,200 mm
<b>Mounting:</b>	Ceiling
<b>Environment:</b>	Indoor

## DIMENSIONS [mm]



## ELECTRICAL SPECIFICATION

<b>Input voltage [V]:</b>	100 - 240 V
<b>Frequency [Hz]:</b>	50-60 Hz
<b>Max. power [W]:</b>	9 W
<b>Coverage IP:</b>	20
<b>Socket:</b>	LED module
<b>Light source:</b>	-
<b>Energy class:</b>	E

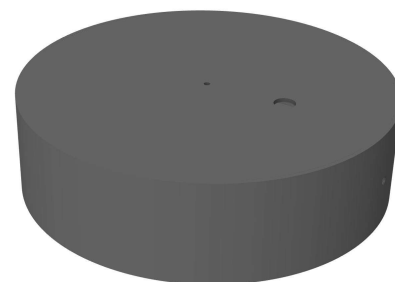
## CERTIFICATIONS





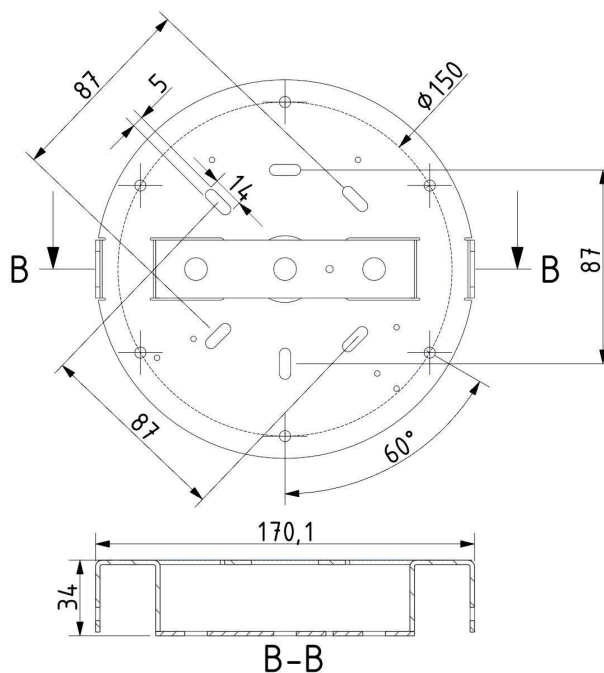
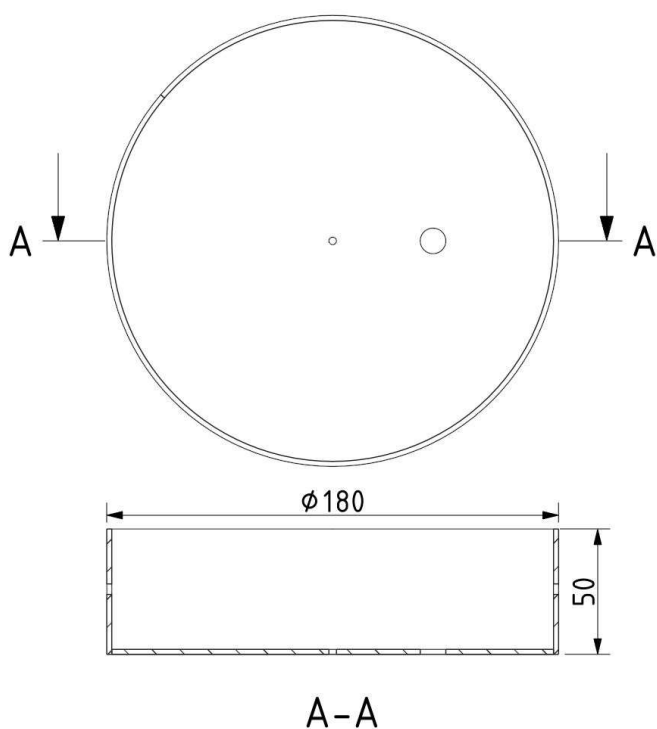
### INNER FIXTURE

Dimensions O x w [mm] 180 x 50 mm  
Weight [kg] 1.3 kg  
Material metal



### Drawing

### Hole placement





## Description

Double, a new collection of pendant lights, is based on a shape consisting of two elements made from two different materials – glass and lightweight aluminium. These elements depend on one another to generate a unique and consonant form. The glass globe terminating in a metal ring provides a suggestive effect, with the handle on top alluding to the idea of transporting the light. In the pendant variant, which is available in three different shapes, the upper metal section with wire rope seeks equilibrium in the scattered light and shadows as they pass through the lower metal ring and globe, the latter crafted from multiple layers of molten glass that are carefully scrutinized by the master glassmaker prior to blowing. The luminance of the LED light source is softened by an opal diffusor. By virtue of its scope, the Double collection is ideal for private interiors and works very well in large compositions and colour combinations.



## Tech. description

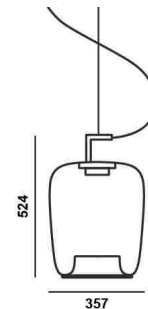
The luminaire consists of a glass shade, metal frame with integrated LED module, metal caps, metal printout on the lower edge of the screen, supply cable and steel cable. The luminaire is suspended from the ceiling canopy by means of a supporting steel cable.

Colours options: [https://brokis.sharepoint.com/:b:/s/brokis\\_sp/EeDOpgNjUMBHkmoZjTNywdUBOgqCidhZdZgy7SyuDw6yIlg](https://brokis.sharepoint.com/:b:/s/brokis_sp/EeDOpgNjUMBHkmoZjTNywdUBOgqCidhZdZgy7SyuDw6yIlg)

## CONSTRUCTION SPECIFICATION

<b>Weight:</b>	6.8 kg
<b>Construction material:</b>	glass, metal
<b>Cord length [mm]:</b>	2,200 mm
<b>Mounting:</b>	Ceiling
<b>Environment:</b>	Indoor

## DIMENSIONS [mm]



## ELECTRICAL SPECIFICATION

<b>Input voltage [V]:</b>	100 - 240 V
<b>Frequency [Hz]:</b>	50-60 Hz
<b>Max. power [W]:</b>	9 W
<b>Coverage IP:</b>	20
<b>Socket:</b>	LED module
<b>Light source:</b>	-
<b>Energy class:</b>	E

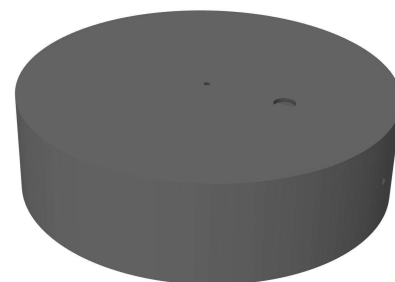
## CERTIFICATIONS





### INNER FIXTURE

Dimensions O x w [mm] 180 x 50 mm  
Weight [kg] 1.3 kg  
Material metal



### Drawing

### Hole placement

