

BROKIS®

# DOUBLE

CM14984

SHORT PENDENT - PC1293



### COMPONENTS INCLUDED WITH UNIT:

1x light  
1x ceiling canopy  
2x set screw M5x12  
1x hex key size 2.5  
1x pair cotton gloves  
1x spirit level  
1x installation manual

### WARNING:

**The manufacturer assumes no liability for damage resulting from incorrect assembly. When unpacking the light, do so with regard for its material composition – the main components are made of glass.**

**Wear the cotton gloves included with the light when unpacking and assembling it.**

**Installation time: 30 minutes / 2 persons**



BROKIS®

BROKIS S.R.O.  
ŠPANILOVA 1315/25  
163 00 PRAHA 6 - ŘEPY  
CZECH REPUBLIC

ORG. ID 64940799  
VAT ID CZ64940799  
C 42174 MĚSTSKÝ SOUD  
V PRAZE

TEL +420 567 211 517  
TECHNICAL@BROKIS.CZ  
INFO@BROKIS.CZ  
WWW.BROKIS.CZ



### CLEANING THE GLASS:

**BROKIS upholds only the highest possible quality standards. Prior to shipping, the light undergoes several quality controls and stages of cleaning. Because transportation, storage, and the amount of time that passes between packing at our plant and subsequent unpacking by the client can affect the light in different ways, we strongly recommend cleaning it prior to assembly.**

**The glass must first be rinsed in warm water, and a dish detergent may be used to remove all foreign particles, dust, and grease. Repeat the process if necessary and then dry the glass thoroughly with a paper towel.**

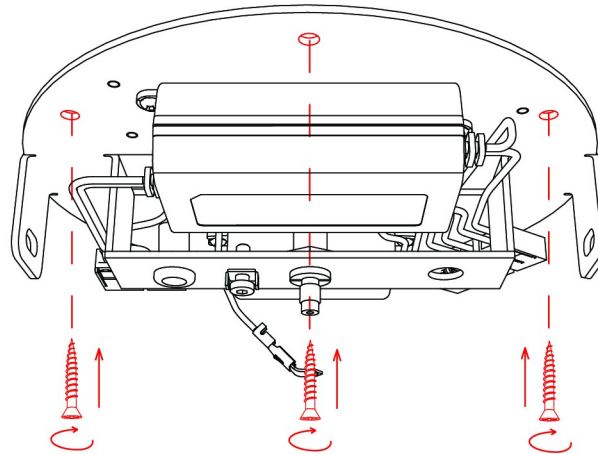
**Recommendation: Do not use mineral spirits, highly concentrated thinners, or other substances not intended for use on glass surfaces. Do not use any cleaning agents containing silicone, as they may leave a film and attract dust and smudges.**

**PRIOR TO SHIPPING, THE FUNCTIONALITY OF EACH LIGHT AND ITS COMPONENTS IS CHECKED THOROUGHLY. THE MANUFACTURER ASSUMES NO LIABILITY FOR THE MISHANDLING OF PRODUCTS.**



## 1. INSTALLING THE CEILING BRACKET

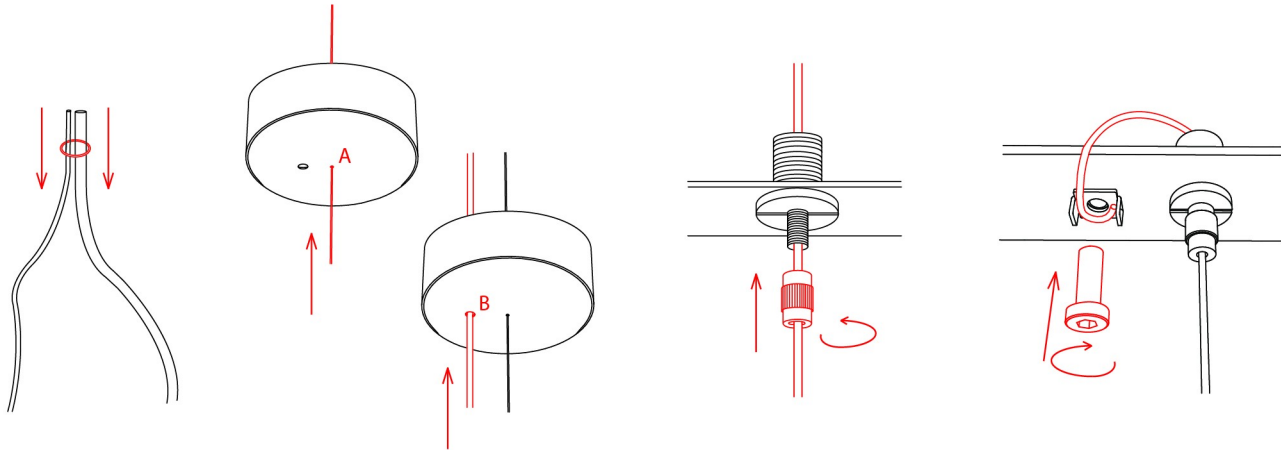
Using anchors of sufficient strength (not included), mount the bracket on the ceiling. With regard to various types of ceilings, we recommend consulting installation with an expert. The manufacturer assumes no liability for incorrect installation, the use of improper anchors, or defects in the material to which the bracket is secured.



## 2. INSTALLING THE LIGHT - WIRE ROPE

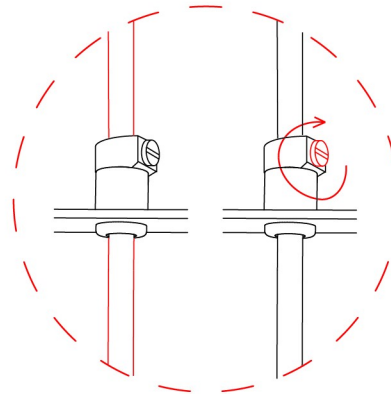
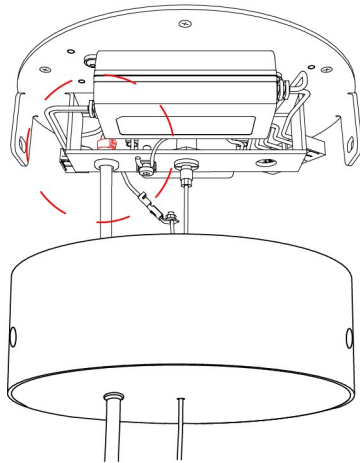
Pass the wire rope and power cable through the rubber O-ring.

Next, pass the wire rope through hole A in the ceiling canopy and the power cable through hole B. With an assistant holding the light, pass the wire rope through the first part of the wire rope gripper. Unscrew the second part of the gripper and thread it onto the unfrayed wire rope. Press the two parts of the gripper together to lock the wire rope in place. Now pass the wire rope through the hole in the side of the gripper. Trim the wire rope to a length of at least 70 mm and secure it under the locking screw.



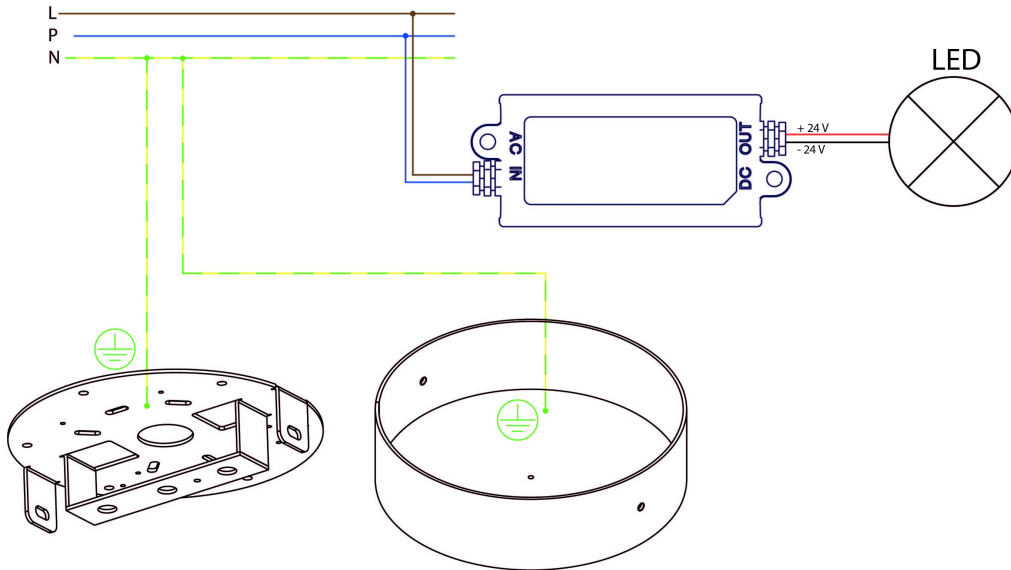
### 3. INSTALLING THE LIGHT - POWER CABLE

Now pass the power cable through the plastic cable stop in the ceiling bracket and secure it by tightening the screw in the cable stop.



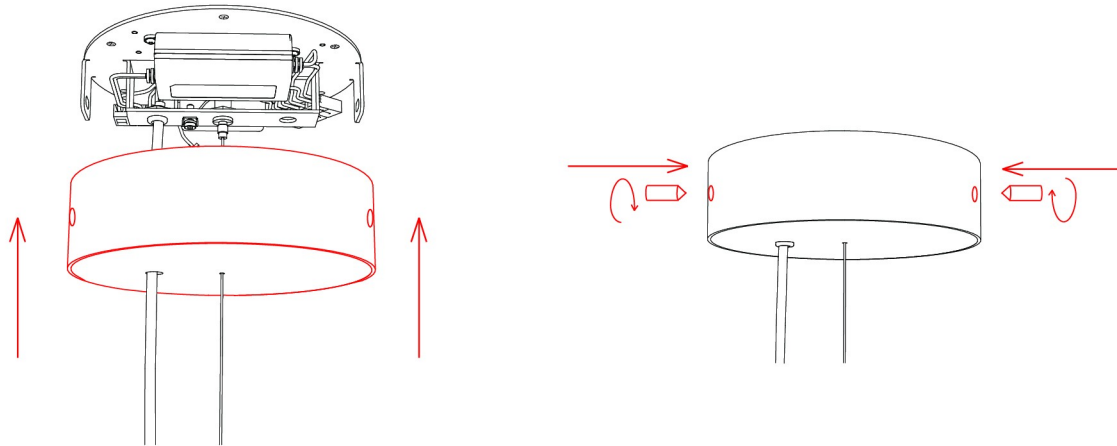
#### 4. CONNECTING THE LIGHT TO THE BUILDING WIRING

Connect the light to the building wiring according to the connection diagram.



## 5. INSTALLING THE CEILING CANOPY

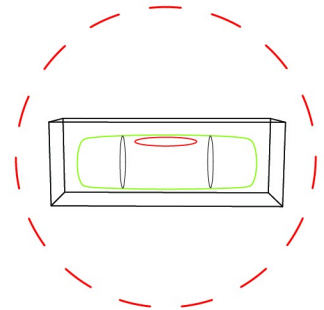
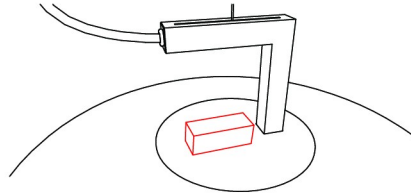
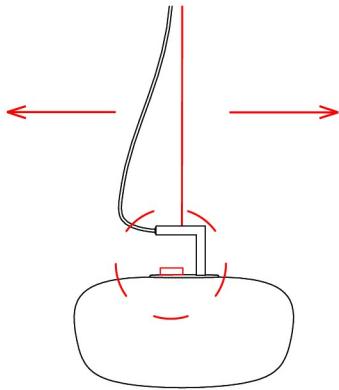
Using the two M5x12 set screws and size 2.5 hex key, attach the ceiling canopy to the bracket.





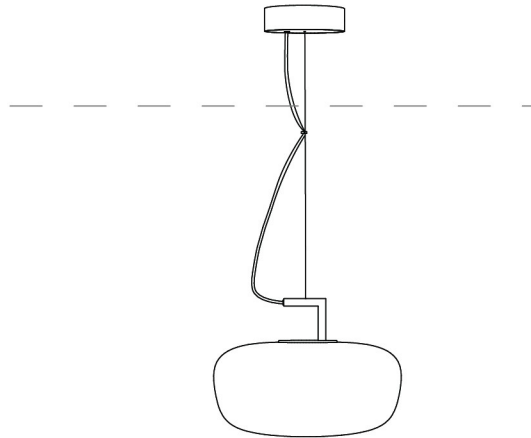
## 6. BALANCING THE LIGHT

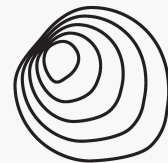
Place the supplied spirit level on the metal fixture (see illustration). Lift the light slightly and balance it by moving it to the left or right.



## 7. SWITCHING ON THE LIGHT

Restore power at the main circuit panel and verify that the light works properly.





BROKIS®

# DOUBLE

CM14990

MEDIUM PENDENT - PC1294

# INSTALLATION MANUAL

## DOUBLE

Pendent light



Download

## COMPONENTS INCLUDED WITH UNIT:

1x light  
1x ceiling canopy  
2x set screw M5x12  
1x hex key size 2.5  
1x pair cotton gloves  
1x spirit level  
1x installation manual

## WARNING:

**The manufacturer assumes no liability for damage resulting from incorrect assembly. When unpacking the light, do so with regard for its material composition – the main components are made of glass.**

**Wear the cotton gloves included with the light when unpacking and assembling it.**

**Installation time: 30 minutes / 2 persons**



BROKIS®

BROKIS S.R.O.  
ŠPANIĚLOVA 1315/25  
163 00 PRAHA 6 - ŘEPY  
CZECH REPUBLIC

ORG. ID 64940799  
VAT ID CZ64940799  
C 42174 MĚSTSKÝ SOUD  
V PRAZE

TEL +420 567 211 517  
TECHNICAL@BROKIS.CZ  
INFO@BROKIS.CZ  
WWW.BROKIS.CZ



### CLEANING THE GLASS:

**BROKIS upholds only the highest possible quality standards. Prior to shipping, the light undergoes several quality controls and stages of cleaning. Because transportation, storage, and the amount of time that passes between packing at our plant and subsequent unpacking by the client can affect the light in different ways, we strongly recommend cleaning it prior to assembly.**

**The glass must first be rinsed in warm water, and a dish detergent may be used to remove all foreign particles, dust, and grease. Repeat the process if necessary and then dry the glass thoroughly with a paper towel.**

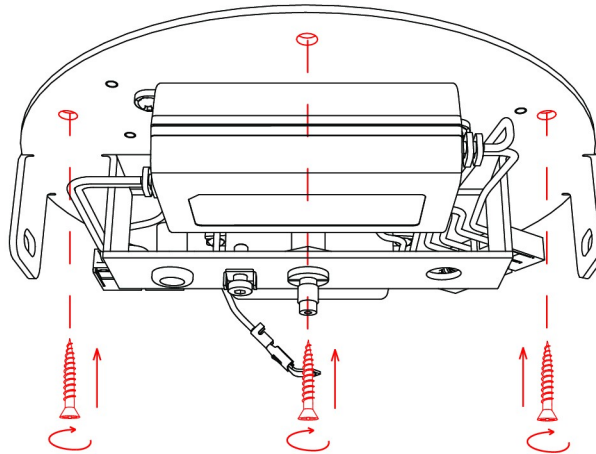
**Recommendation: Do not use mineral spirits, highly concentrated thinners, or other substances not intended for use on glass surfaces. Do not use any cleaning agents containing silicone, as they may leave a film and attract dust and smudges.**

**PRIOR TO SHIPPING, THE FUNCTIONALITY OF EACH LIGHT AND ITS COMPONENTS IS CHECKED THOROUGHLY. THE MANUFACTURER ASSUMES NO LIABILITY FOR THE MISHANDLING OF PRODUCTS.**



## 1. INSTALLING THE CEILING BRACKET

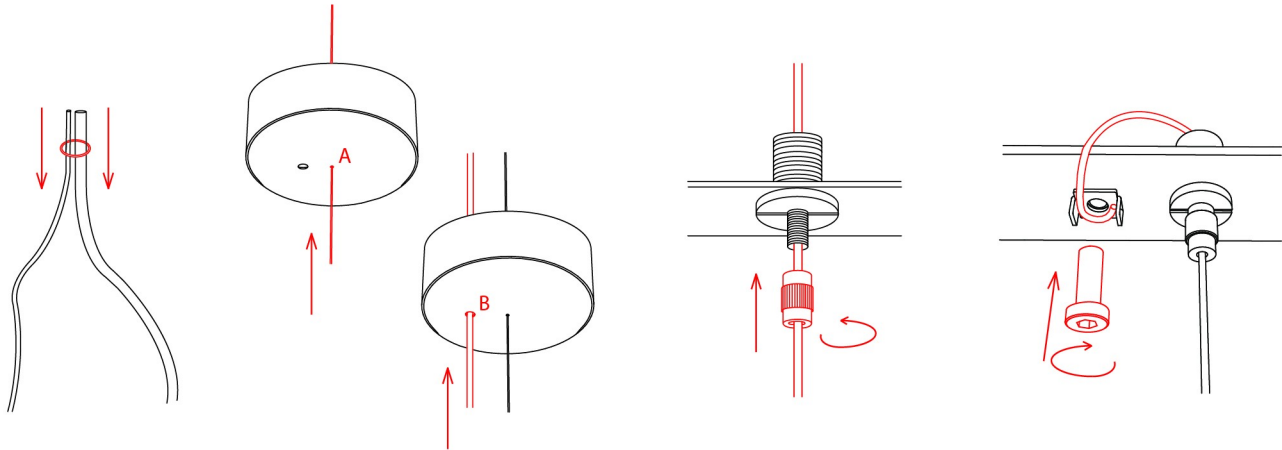
Using anchors of sufficient strength (not included), mount the bracket on the ceiling. With regard to various types of ceilings, we recommend consulting installation with an expert. The manufacturer assumes no liability for incorrect installation, the use of improper anchors, or defects in the material to which the bracket is secured.



## 2. INSTALLING THE LIGHT - WIRE ROPE

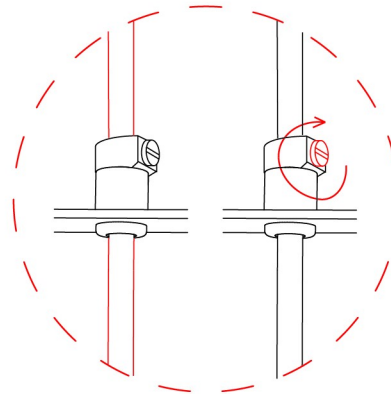
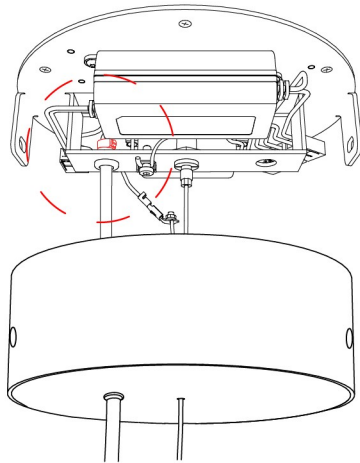
Pass the wire rope and power cable through the rubber O-ring.

Next, pass the wire rope through hole A in the ceiling canopy and the power cable through hole B. With an assistant holding the light, pass the wire rope through the first part of the wire rope gripper. Unscrew the second part of the gripper and thread it onto the unfrayed wire rope. Press the two parts of the gripper together to lock the wire rope in place. Now pass the wire rope through the hole in the side of the gripper. Trim the wire rope to a length of at least 70 mm and secure it under the locking screw.



### 3. INSTALLING THE LIGHT - POWER CABLE

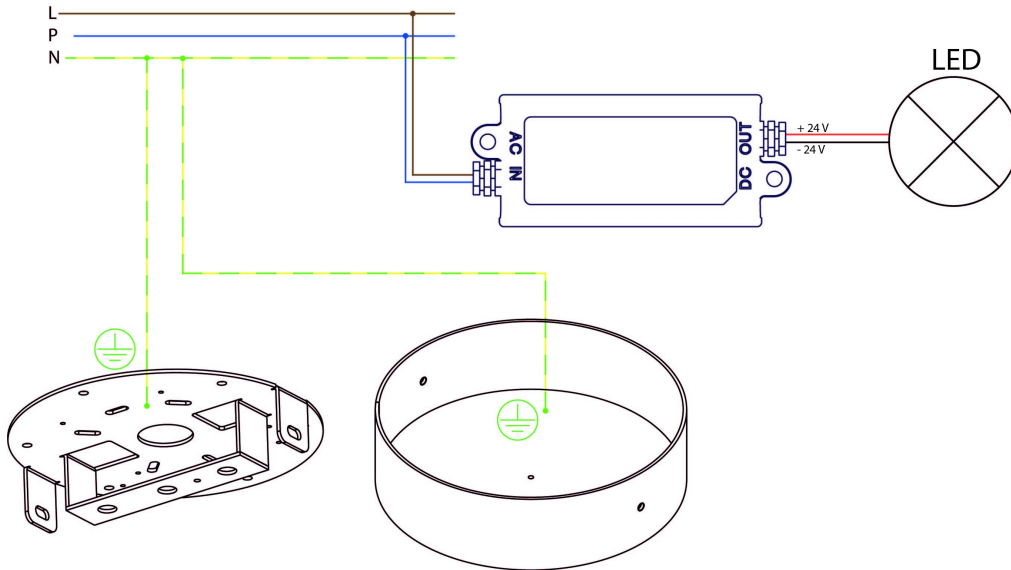
Now pass the power cable through the plastic cable stop in the ceiling bracket and secure it by tightening the screw in the cable stop.





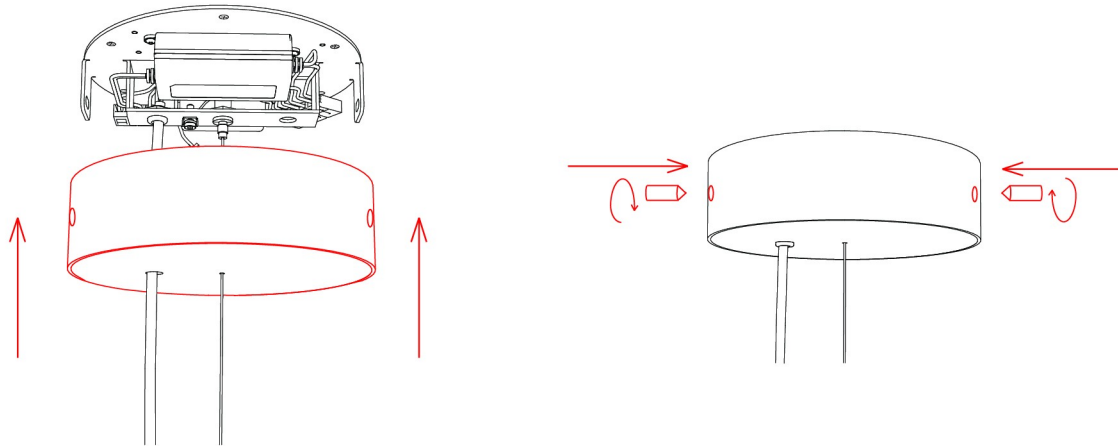
#### 4. CONNECTING THE LIGHT TO THE BUILDING WIRING

Connect the light to the building wiring according to the connection diagram.



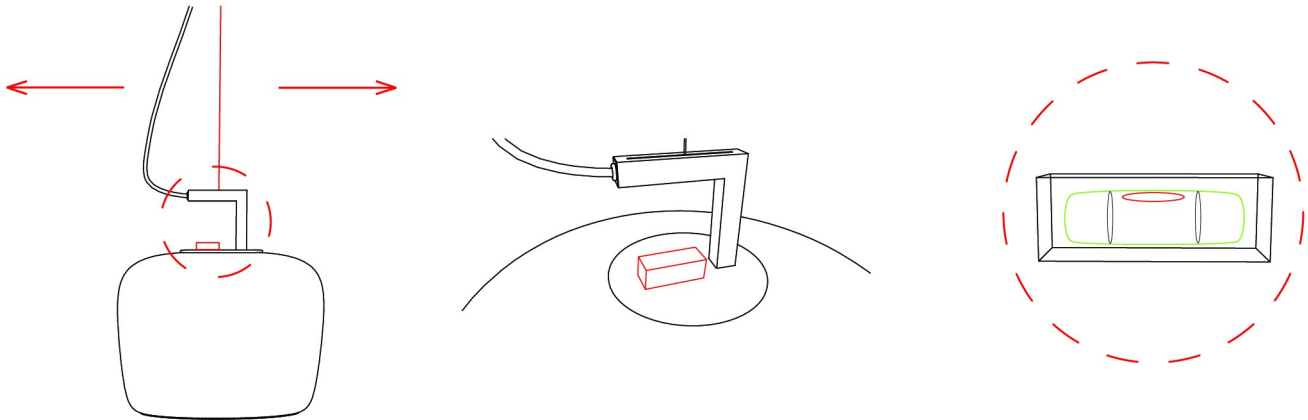
## 5. INSTALLING THE CEILING CANOPY

Using the two M5x12 set screws and size 2.5 hex key, attach the ceiling canopy to the bracket.



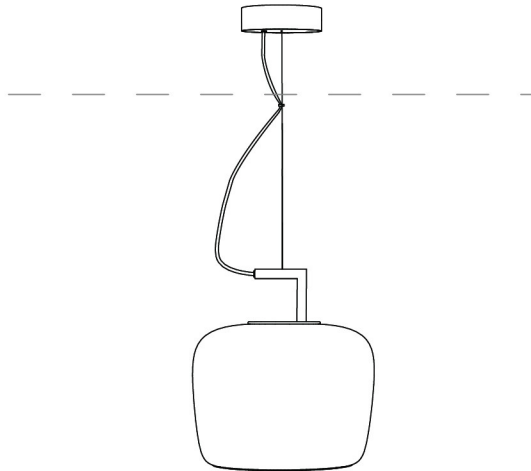
## 6. BALANCING THE LIGHT

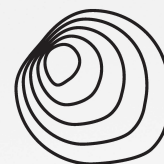
Place the supplied spirit level on the metal fixture (see illustration). Lift the light slightly and balance it by moving it to the left or right.



## 7. SWITCHING ON THE LIGHT

Restore power at the main circuit panel and verify that the light works properly.





BROKIS®

# DOUBLE

CM14999

LONG PENDENT - PC1295

# INSTALLATION MANUAL

## DOUBLE

Pendent light



### COMPONENTS INCLUDED WITH UNIT:

1x light  
1x ceiling canopy  
2x set screw M5x12  
1x hex key size 2.5  
1x pair cotton gloves  
1x spirit level  
1x installation manual

### WARNING:

**The manufacturer assumes no liability for damage resulting from incorrect assembly. When unpacking the light, do so with regard for its material composition – the main components are made of glass.**

**Wear the cotton gloves included with the light when unpacking and assembling it.**

**Installation time: 30 minutes / 2 persons**



BROKIS®

BROKIS S.R.O.  
ŠPANILOVA 1315/25  
163 00 PRAHA 6 - ŘEPY  
CZECH REPUBLIC

ORG. ID 64940799  
VAT ID CZ64940799  
C 42174 MĚSTSKÝ SOUD  
V PRAZE

TEL +420 567 211 517  
TECHNICAL@BROKIS.CZ  
INFO@BROKIS.CZ  
WWW.BROKIS.CZ



### CLEANING THE GLASS:

**BROKIS upholds only the highest possible quality standards. Prior to shipping, the light undergoes several quality controls and stages of cleaning. Because transportation, storage, and the amount of time that passes between packing at our plant and subsequent unpacking by the client can affect the light in different ways, we strongly recommend cleaning it prior to assembly.**

**The glass must first be rinsed in warm water, and a dish detergent may be used to remove all foreign particles, dust, and grease. Repeat the process if necessary and then dry the glass thoroughly with a paper towel.**

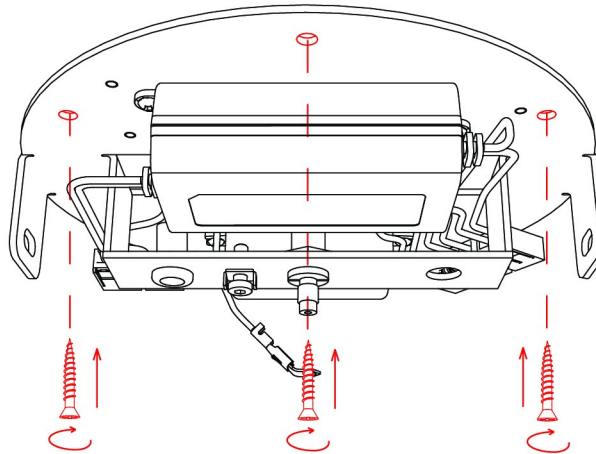
**Recommendation: Do not use mineral spirits, highly concentrated thinners, or other substances not intended for use on glass surfaces. Do not use any cleaning agents containing silicone, as they may leave a film and attract dust and smudges.**

**PRIOR TO SHIPPING, THE FUNCTIONALITY OF EACH LIGHT AND ITS COMPONENTS IS CHECKED THOROUGHLY. THE MANUFACTURER ASSUMES NO LIABILITY FOR THE MISHANDLING OF PRODUCTS.**



## 1. INSTALLING THE CEILING BRACKET

Using anchors of sufficient strength (not included), mount the bracket on the ceiling. With regard to various types of ceilings, we recommend consulting installation with an expert. The manufacturer assumes no liability for incorrect installation, the use of improper anchors, or defects in the material to which the bracket is secured.

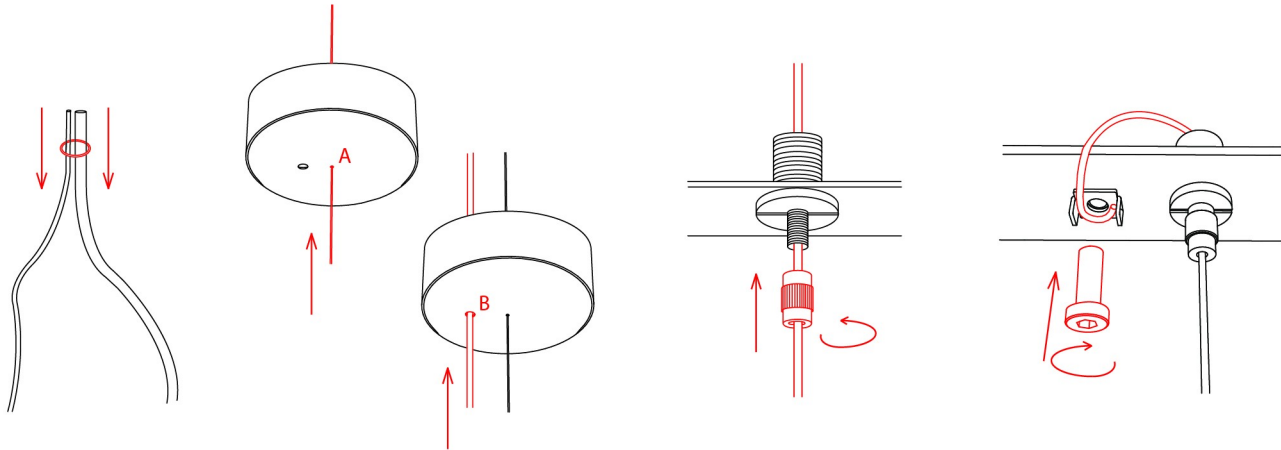




## 2. INSTALLING THE LIGHT - WIRE ROPE

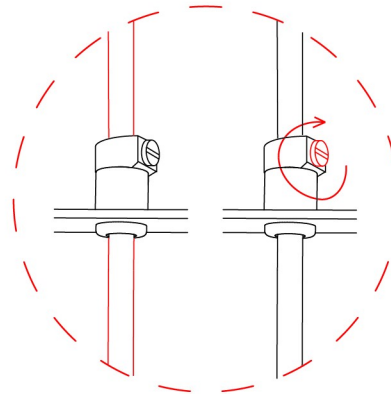
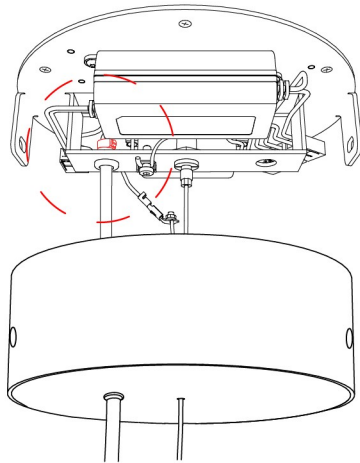
Pass the wire rope and power cable through the rubber O-ring.

Next, pass the wire rope through hole A in the ceiling canopy and the power cable through hole B. With an assistant holding the light, pass the wire rope through the first part of the wire rope gripper. Unscrew the second part of the gripper and thread it onto the unfrayed wire rope. Press the two parts of the gripper together to lock the wire rope in place. Now pass the wire rope through the hole in the side of the gripper. Trim the wire rope to a length of at least 70 mm and secure it under the locking screw.



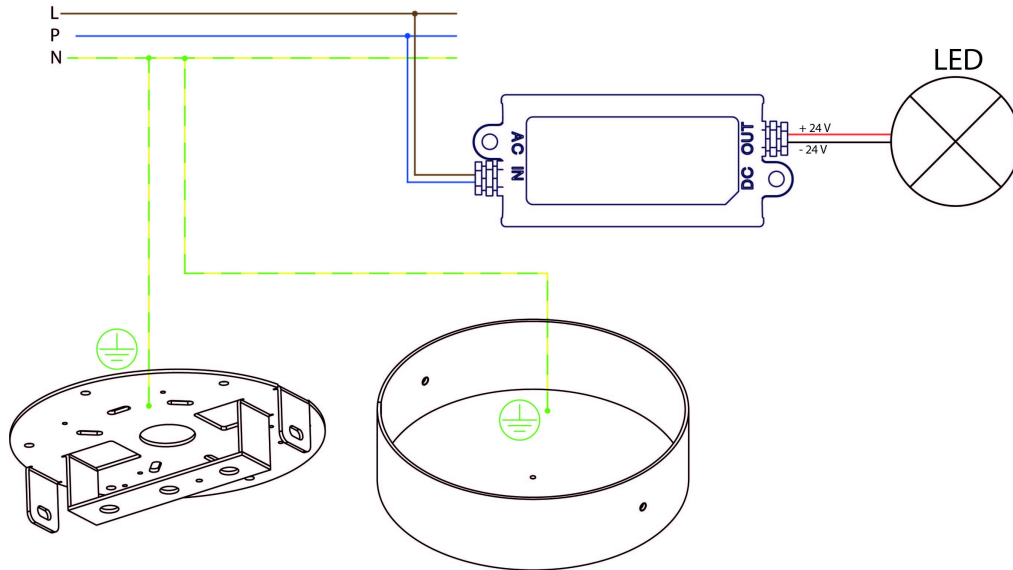
### 3. INSTALLING THE LIGHT - POWER CABLE

Now pass the power cable through the plastic cable stop in the ceiling bracket and secure it by tightening the screw in the cable stop.



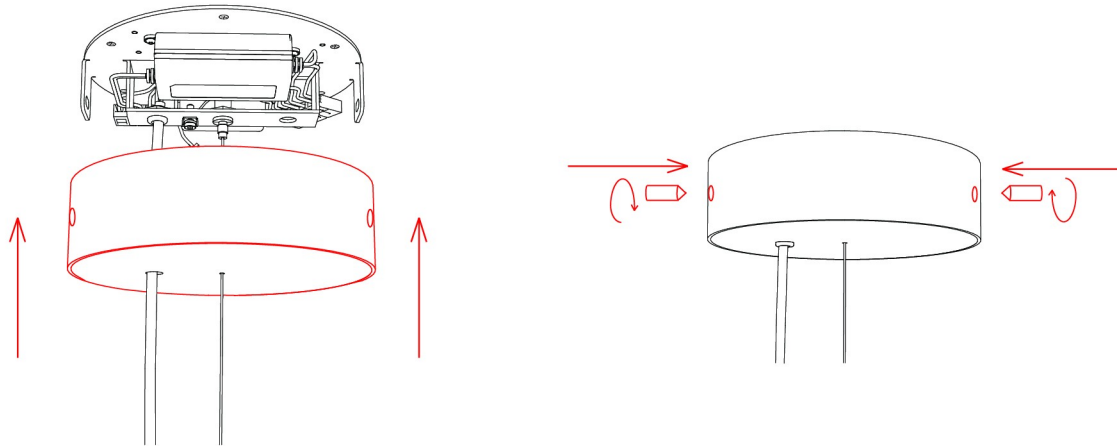
#### 4. CONNECTING THE LIGHT TO THE BUILDING WIRING

Connect the light to the building wiring according to the connection diagram.



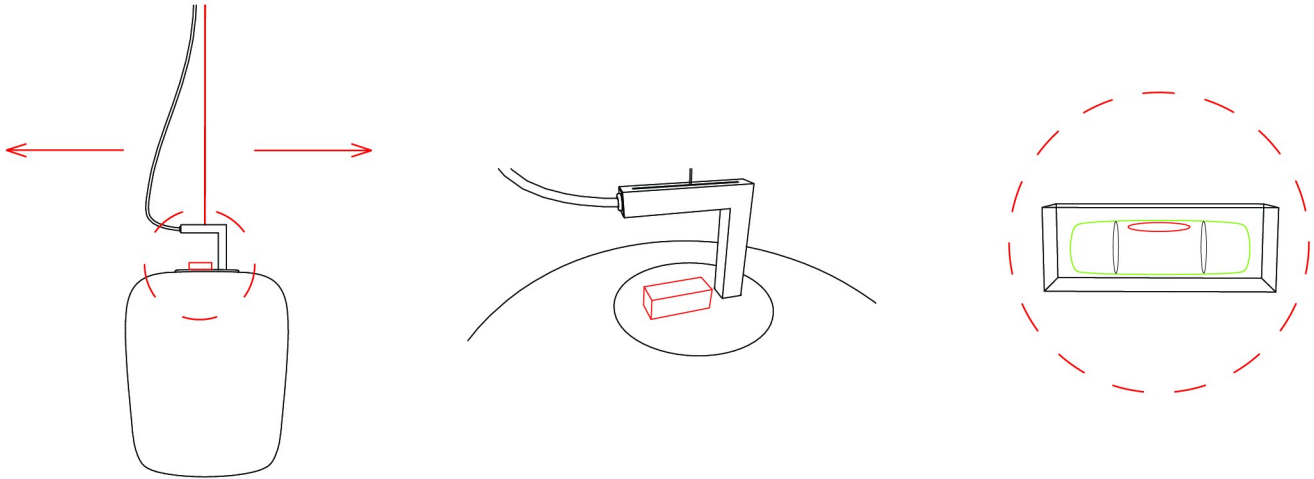
## 5. INSTALLING THE CEILING CANOPY

Using the two M5x12 set screws and size 2.5 hex key, attach the ceiling canopy to the bracket.



## 6. BALANCING THE LIGHT

Place the supplied spirit level on the metal fixture (see illustration). Lift the light slightly and balance it by moving it to the left or right.



## 7. SWITCHING ON THE LIGHT

Restore power at the main circuit panel and verify that the light works properly.

