

DATASHEET

Type: **MONA MEDIUM**
Name: Pendant light
ID: PC979
Designed by: Lucie Koldová



Download

Description

The collection is a showcase of original design and refined combinations of materials, such as glass, metal, and leather. It features a tubular LED light source with a range of colour temperatures to choose from.

Tech. description

The light comprises a glass shade, leather suspension straps, and tubular LED module with triplex opal glass diffusor. The LED module uses a Brokis connector. The entire assembly is secured with dural endcaps. The light is hung from a ceiling canopy, which also houses the electronics and terminal connectors.

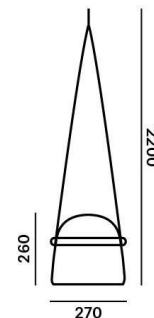


Colours options: https://brokis.sharepoint.com/:b:/s/brokis_sp/EUBvibKgPIFEkI99SOUaGbwB-qVjdsIFPbcMZUtCL6IMew

CONSTRUCTION SPECIFICATION

Weight: 6 kg
Construction material: glass, metal, wood
Cord length [mm]: 2,200 mm
Mounting: Ceiling
Environment: Indoor

DIMENSIONS [mm]



ELECTRICAL SPECIFICATION

Input voltage [V]: 100 - 240 V
Frequency [Hz]: 50-60 Hz
Max. power [W]: 7.7 W
Coverage IP: 20
Socket: non-user replaceable LED module
Light source: -
Energy class: E

CERTIFICATIONS



BROKIS S.R.O.
ŠPANILOVA 1315/25
163 00 PRAHA 6 - ŘEPY
CZECH REPUBLIC

ORG ID 64940799
VAT ID CZ64940799
C 42174 MĚSTSKÝ SOUD
V PRAZE

TEL +420 567 211 517
TECHNICAL@BROKIS.CZ
INFO@BROKIS.CZ
WWW.BROKIS.CZ

2022_07
PAGE 1



CP12091

Type	LED module
Lamp wattage [W]	7,7 W
Input voltage [V]	24 VDC
Energy class	E
Flux [lm]	327 lm
Light colour [K]	2700 K
CRI	90+
Lifespan [h]	20000h
Dimmable	yes (PWM)



CP12097

Type	LED module
Lamp wattage [W]	7,7 W
Input voltage [V]	24 VDC
Energy class	E
Flux [lm]	360 lm
Light colour [K]	4000 K
CRI	90+
Lifespan [h]	20000h
Dimmable	yes (PWM)



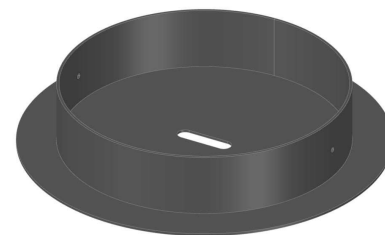
CP12100

Type	LED module
Lamp wattage [W]	7,7 W
Input voltage [V]	24 VDC
Energy class	E
Flux [lm]	387 lm
Light colour [K]	5000 K
CRI	90+
Lifespan [h]	20000h
Dimmable	yes (PWM)

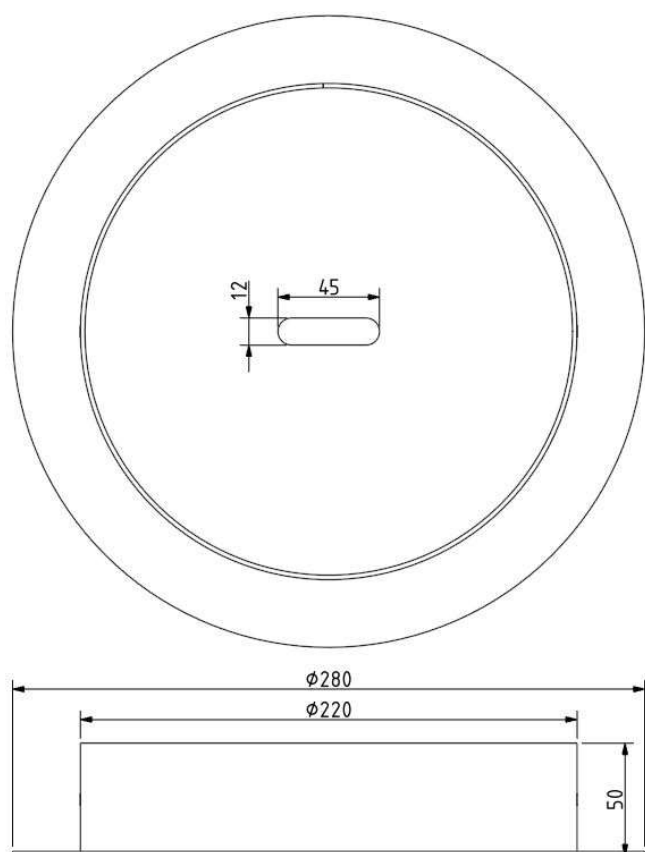


INNER FIXTURE

Dimensions O x w [mm] 280 x 50 mm
Weight [kg] 1.6 kg
Material metal



Drawing



Hole placement

