



Description

The combination of handblown glass, handcrafted wood, and classic shaping has given rise to a light of ageless elegance. The collection comprises four different suspension lights, as striking alone as they are in sets, characterized by a handblown glass shade set upon on a handcrafted wooden body.

Tech. description

The light consists of a wooden body with connector and E27 light source socket. It also includes a lead cable with connector, the glass shade, and a wood ceiling canopy.

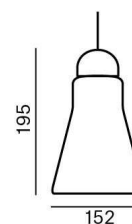


Colours options: https://brokis.sharepoint.com/:b:/s/brokis_sp/EeuTu6muD_ZCv7DD_zJDyeoBcMGFU8tl5R3JB7Wr8IkEyg

CONSTRUCTION SPECIFICATION

| | |
|-------------------------------|--------------------|
| Weight: | 2,9 kg |
| Construction material: | glass, wood, metal |
| Cord length [mm]: | 2,000 mm |
| Mounting: | Ceiling |
| Environment: | Indoor |

DIMENSIONS [mm]



ELECTRICAL SPECIFICATION

| | |
|---------------------------|-----------------------------------|
| Input voltage [V]: | 230 V |
| Frequency [Hz]: | 50-60 Hz |
| Max. power [W]: | 15 W |
| Coverage IP: | 20 |
| Socket: | E27 |
| Light source: | - |
| Energy class: | A+ to B depending on light source |

CERTIFICATIONS





CM1642

| | |
|------------------------------|---------------|
| Socket | E27 |
| Type | LED |
| Lamp wattage [W] | 13 W |
| Input voltage [V] | 220 - 240 VAC |
| Energy class | A+ |
| Flux [lm] | 700 lm |
| Light colour [K] | 2700 K |
| CRI | 90+ |
| Lifespan [h] | 25000h |
| Dimmable | yes |
| Dimensions h x w [mm] | 95 x 63 mm |

DATASHEET

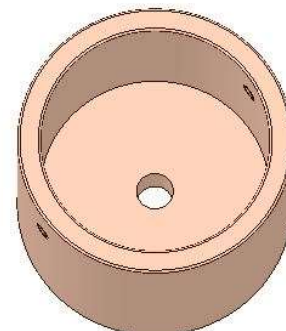
RECOMENDED CANOPY



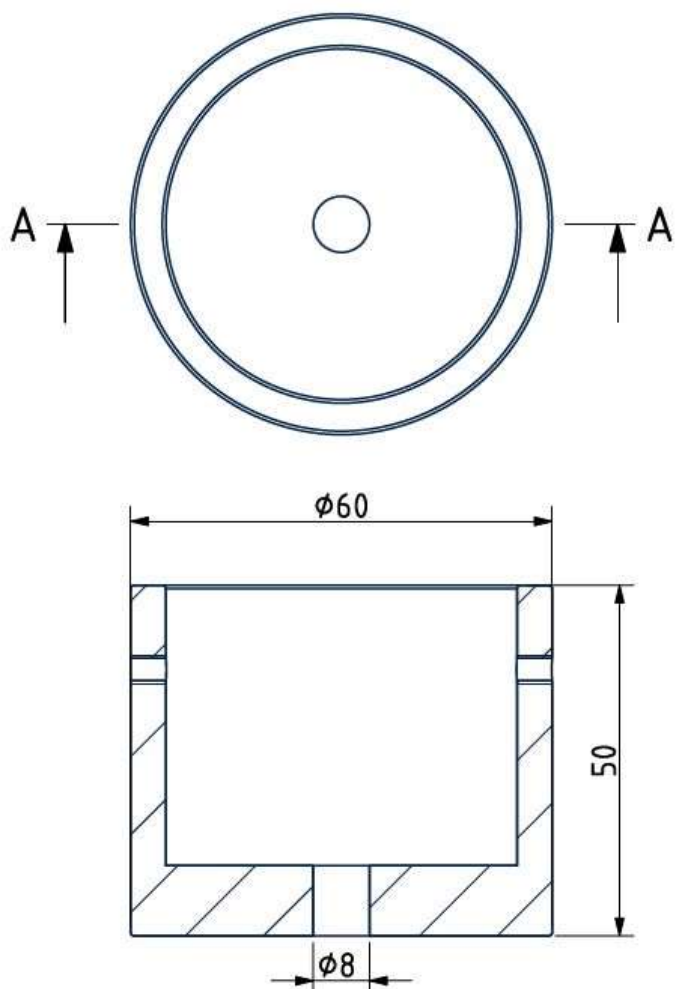
Download

CEILING CANOPY

Dimensions O x w [mm] 60 x 55 mm
Weight [kg] 0,15 kg
Material wood



Drawing



Canopy bracket

