



Description

Night Birds differ from the other collections in the unique technology applied in production, which involves melting glass into a mold and then bending it. The process makes it possible to instill delicate nuances in the shape of the wings and achieve a coloration of the glass that is different and wholly unique each time



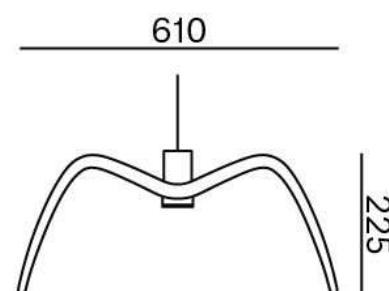
Tech. description The light consists of a metal section with lead cable and GZ10 light source socket. The glass element is suspended from the metal section. The light includes a metal ceiling canopy.

Colours options: https://brokis.sharepoint.com/:b/s/brokis_sp/EZmwCNTLo75Crs1oekws8mwBTclfHs7OUbhOyOlabV_P2

CONSTRUCTION SPECIFICATION

Weight:	2 kg
Construction material:	glass, metal
Cord length [mm]:	2,000 mm
Mounting:	Ceiling
Environment:	Indoor

DIMENSIONS [mm]



ELECTRICAL SPECIFICATION

Input voltage [V]:	230 V
Frequency [Hz]:	50-60 Hz
Max. power [W]:	10 W
Coverage IP:	20
Socket:	GZ10
Light source:	-
Energy class:	A+ to B depending on light source

CERTIFICATIONS



DATASHEET

RECOMMENDED BULBS



Download



CM3037

Socket	GU10
Type	LED
Lamp wattage [W]	5 W
Input voltage [V]	220 - 240 VAC
Energy class	A+
Flux [lm]	336 lm
Light colour [K]	2700 K
CRI	90+
Lifespan [h]	25000h
Dimmable	yes
Dimensions h x w [mm]	55 x 50 mm



DATASHEET

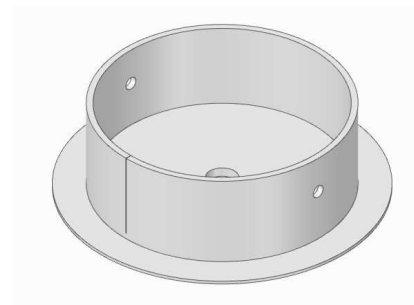
RECOMENDED CANOPY



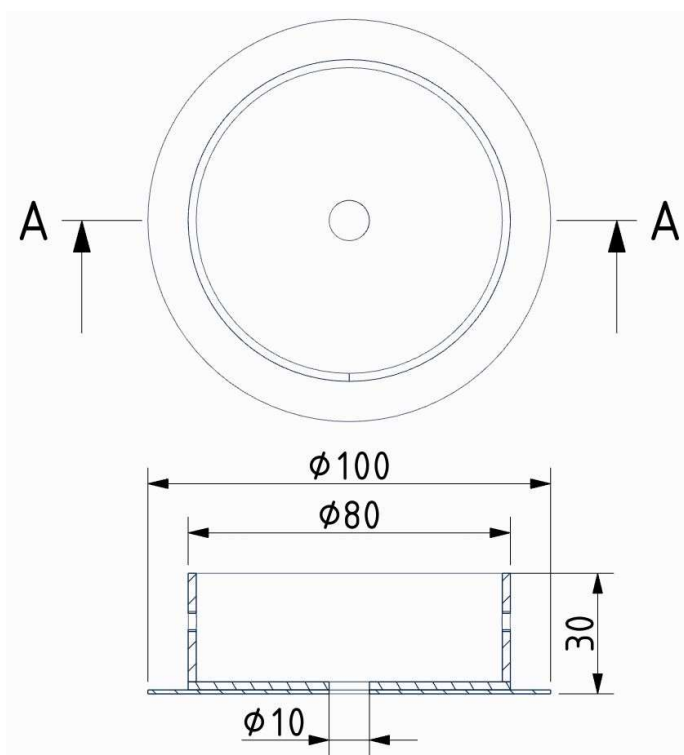
Download

CEILING CANOPY

Dimensions O x w [mm]	100 x 30 mm
Weight [kg]	0,25 kg
Material	metal



Drawing



Canopy bracket

