



Description

The combination of handblown glass, handcrafted wood, and classic shaping has given rise to a light of ageless elegance. The collection comprises four different suspension lights, as striking alone as they are in sets, characterized by a handblown glass shade set upon on a handcrafted wooden body.



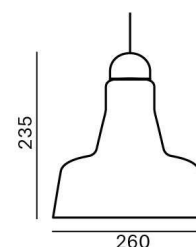
Tech. description The light consists of a wooden body with connector and E27 light source socket. It also includes a lead cable with connector, the glass shade, and a wood ceiling canopy.

Colours options: https://brokis.sharepoint.com/:b/s/brokis_sp/EcMJsKJ6Lo1JqQzsOvklu7sBy-IGHYJxIEyR3zpWGWUj5w

CONSTRUCTION SPECIFICATION

Weight:	2,9 kg
Construction material:	glass, wood, metal
Cord length [mm]:	2,000 mm
Mounting:	Ceiling
Environment:	Indoor

DIMENSIONS [mm]



ELECTRICAL SPECIFICATION

Input voltage [V]:	230 V
Frequency [Hz]:	50-60 Hz
Max. power [W]:	15 W
Coverage IP:	20
Socket:	E27
Light source:	-
Energy class:	A+ to B depending on light source

CERTIFICATIONS





CM1642

Socket	E27
Type	LED
Lamp wattage [W]	13 W
Input voltage [V]	220 - 240 VAC
Energy class	A+
Flux [lm]	700 lm
Light colour [K]	2700 K
CRI	90+
Lifespan [h]	25000h
Dimmable	yes
Dimensions h x w [mm]	95 x 63 mm

DATASHEET

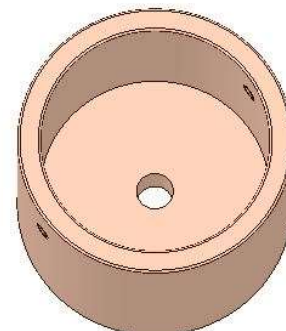
RECOMENDED CANOPY



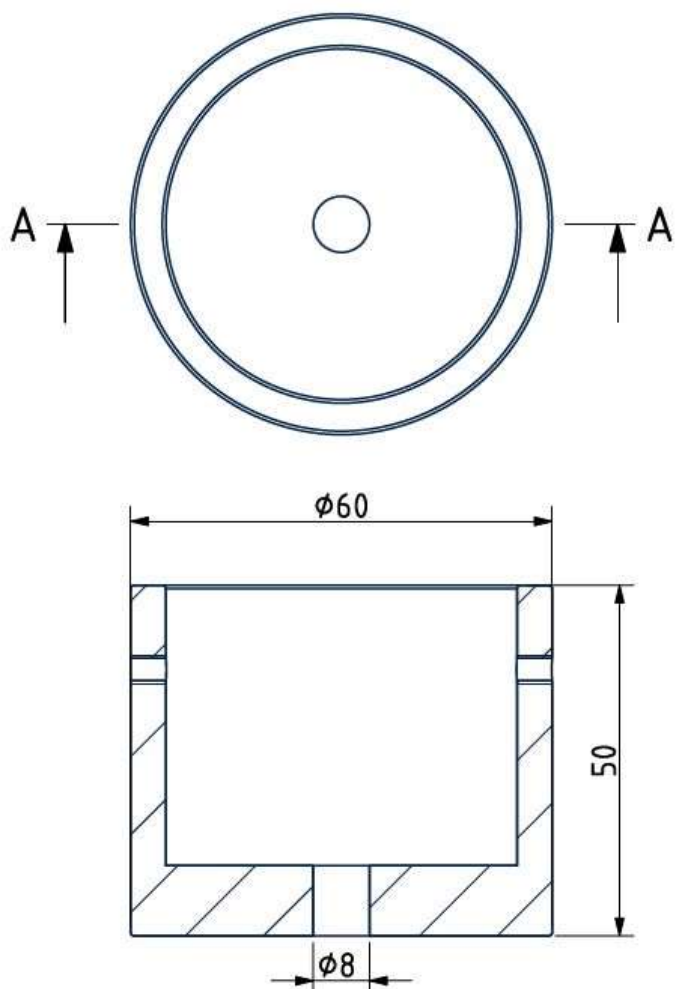
Download

CEILING CANOPY

Dimensions O x w [mm] 60 x 55 mm
Weight [kg] 0,15 kg
Material wood



Drawing



Canopy bracket

