



## Description

The Memory collection awakens the imagination and beckons back to a carefree childhood. The wall and ceiling versions in different sizes, the wide range of color options, and a selection of finishes give this lighting experience a large degree of versatility.



## Tech. description

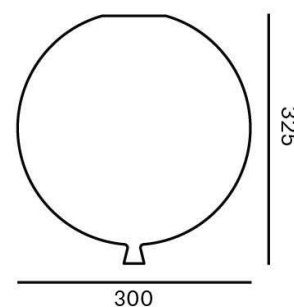
The light consists of a metal ceiling mount with E27 light source socket and a glass shade with bayonet system. The E27 socket has an integrated switch for manual control.

Colours options: [https://brokis.sharepoint.com/:b/s/brokis\\_sp/EVfLtPHZzhpJschWzcQjpIkBHcQsnA-2zdwZj\\_C8yQ2gvw](https://brokis.sharepoint.com/:b/s/brokis_sp/EVfLtPHZzhpJschWzcQjpIkBHcQsnA-2zdwZj_C8yQ2gvw)

## CONSTRUCTION SPECIFICATION

<b>Weight:</b>	2.6 kg
<b>Construction material:</b>	glass, metal
<b>Cord length [mm]:</b>	-
<b>Mounting:</b>	Ceiling
<b>Environment:</b>	Indoor

## DIMENSIONS [mm]



## ELECTRICAL SPECIFICATION

<b>Input voltage [V]:</b>	230 V
<b>Frequency [Hz]:</b>	50-60 Hz
<b>Max. power [W]:</b>	60 W
<b>Coverage IP:</b>	20
<b>Socket:</b>	E27
<b>Light source:</b>	-
<b>Energy class:</b>	A+ to E depending on light source

## CERTIFICATIONS



# DATASHEET

## RECOMENDED CANOPY



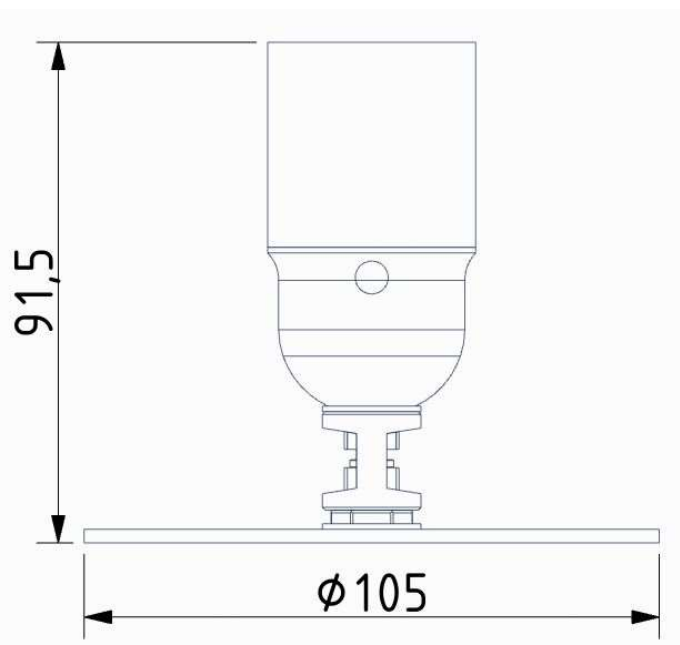
Download

### CEILING CANOPY

Dimensions O x w [mm]	105 x 91.5 mm
Weight [kg]	0.2 kg
Material	metal



### Drawing



### Canopy bracket

