



Description

The Memory collection awakens the imagination and beckons back to a carefree childhood. The wall and ceiling versions in different sizes, the wide range of color options, and a selection of finishes give this lighting experience a large degree of versatility.



Tech. description

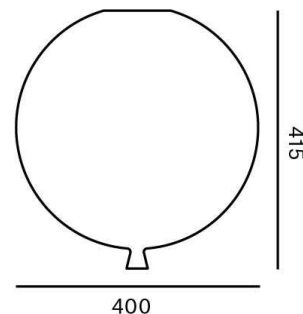
The light consists of a metal ceiling mount with E27 light source socket and a glass shade with bayonet system. The E27 socket has an integrated switch for manual control.

Colours options: https://brokis.sharepoint.com/:b/s/brokis_sp/EcWMW9Ht6shLnpD4i1bp0PsB-N0OJ_6-Zlqm4xUw7ZeiFQ

CONSTRUCTION SPECIFICATION

Weight:	4.2 kg
Construction material:	glass, metal
Cord length [mm]:	-
Mounting:	Ceiling
Environment:	Indoor

DIMENSIONS [mm]



ELECTRICAL SPECIFICATION

Input voltage [V]:	230 V
Frequency [Hz]:	50-60 Hz
Max. power [W]:	60 W
Coverage IP:	20
Socket:	E27
Light source:	-
Energy class:	A+ to E depending on light source

CERTIFICATIONS



DATASHEET

RECOMENDED CANOPY



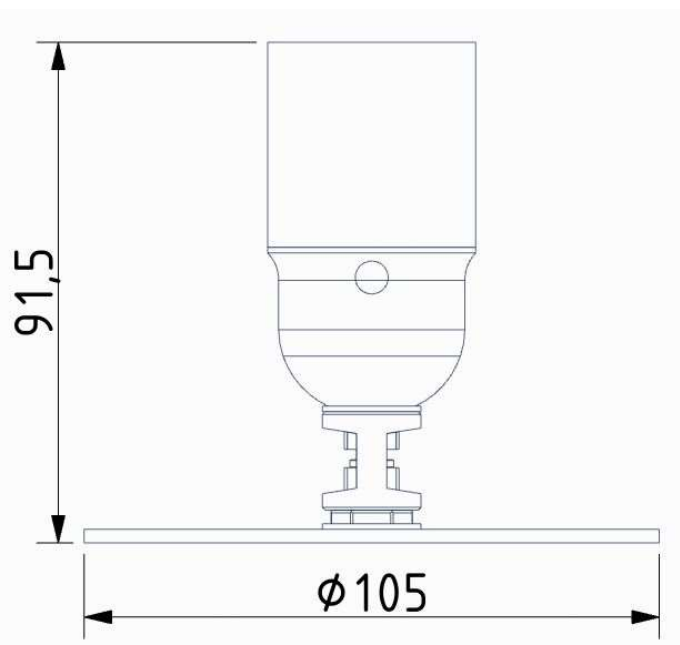
Download

CEILING CANOPY

Dimensions O x w [mm]	105 x 91.5 mm
Weight [kg]	0.2 kg
Material	metal



Drawing



Canopy bracket

