



## Description

The timeless Muffins collection represents an extraordinary lighting experience. Since its market debut, it has taken on an iconic status and become a symbol of the Brokis brand. The sublimity of the design lies in the masterful combination of delicately contoured glass and solid wood.

**Tech. description** The lamp consists of a solid wooden base, which houses the bulb socket, and a glass shade.

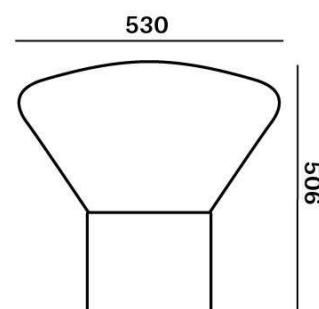


Colours options: [https://brokis.sharepoint.com/:b:/s/brokis\\_sp/EWSwF3K3fxRIm7A-gGxUwUgBx9Dp-rrzdpfrmM9\\_p5k12A](https://brokis.sharepoint.com/:b:/s/brokis_sp/EWSwF3K3fxRIm7A-gGxUwUgBx9Dp-rrzdpfrmM9_p5k12A)

## CONSTRUCTION SPECIFICATION

<b>Weight:</b>	13 kg
<b>Construction material:</b>	glass, wood, metal
<b>Cord length [mm]:</b>	2,220 mm
<b>Mounting:</b>	Table
<b>Environment:</b>	Indoor

## DIMENSIONS [mm]



## ELECTRICAL SPECIFICATION

<b>Input voltage [V]:</b>	230 V
<b>Frequency [Hz]:</b>	50-60 Hz
<b>Max. power [W]:</b>	60 W
<b>Coverage IP:</b>	20
<b>Socket:</b>	E27
<b>Light source:</b>	-
<b>Energy class:</b>	A+ to E depending on light source

## CERTIFICATIONS





### Bulb filament 6W 350lm 220-240V SEGULA Muffins E27

<b>Socket</b>	E27
<b>Type</b>	LED filament
<b>Lamp wattage [W]</b>	6 W
<b>Input voltage [V]</b>	220 - 240 VAC
<b>Energy class</b>	A
<b>Flux [lm]</b>	350 lm
<b>Light colour [K]</b>	2200 K
<b>CRI</b>	90+
<b>Lifespan [h]</b>	20000h
<b>Dimmable</b>	yes
<b>Dimensions h x w [mm]</b>	145 x 65 mm