

DATASHEET

Type: **SFERA**
Name: Pendant light
ID: PC1286
Designed by: Lucie Koldová



Download

Description

A sphere as a universal shape, yet whose upper section has been dramatically severed. The clean cut comprises the main characteristic of the Sfera project light – a timeless piece that casts a soft light from within handblown matte opal glass.

Tech. description

The light comprises a glass shade, metal body with Brokis connector and E27 socket, metal cap, and power cord with Brokis connector. The light is hung from a ceiling canopy.

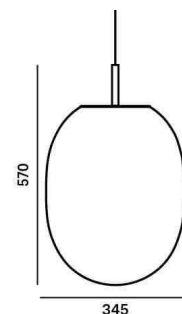


Colours options: https://brokis.sharepoint.com/:b:/s/brokis_sp/Ebs360C817NNrkv2hIqStHEBtRMv1YZYYz2ncTFi6Ny6TA

CONSTRUCTION SPECIFICATION

Weight: 5 kg
Construction material: glass, metal
Cord length [mm]: 2,000 mm
Mounting: Ceiling
Environment: Indoor

DIMENSIONS [mm]



ELECTRICAL SPECIFICATION

Input voltage [V]: 230 V
Frequency [Hz]: 50-60 Hz
Max. power [W]: 60 W
Coverage IP: 20
Socket: E27
Light source: -
Energy class: A+ to E depending on light source

CERTIFICATIONS



BROKIS S.R.O.
ŠPANILOVA 1315/25
163 00 PRAHA 6 - ŘEPY
CZECH REPUBLIC

ORG ID 64940799
VAT ID CZ64940799
C 42174 MĚSTSKÝ SOUD
V PRAZE

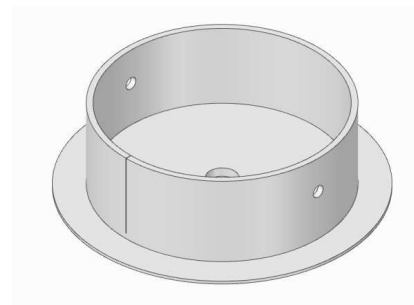
TEL +420 567 211 517
TECHNICAL@BROKIS.CZ
INFO@BROKIS.CZ
WWW.BROKIS.CZ

2022_03
PAGE 1

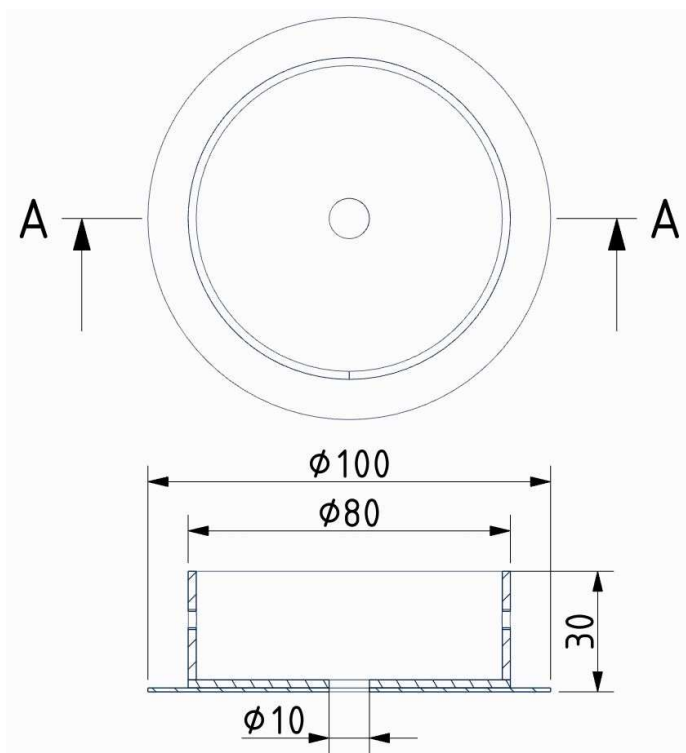


INNER FIXTURE

Dimensions O x w [mm] 100 x 30 mm
Weight [kg] 0,25 kg
Material metal



Drawing



Hole placement

