

# DATASHEET

Type: **BONBORI**  
Name: Floor light  
ID: PC1166  
Designed by: Fumie Shibata Desing SS company



Download

## Description

The first outdoor lighting collection in the Brokis portfolio, Bonbori was created by world-renowned Japanese designer Fumie Shibata, who took inspiration from the traditional paper lamps lining the paths to shrines and temples during the annual rice harvest festival in Japan.

## Tech. description

The light comprises a metal body, base bracket, glass shade, and diffusor. All metal components are crafted from stainless steel. The light is IP44 compliant and is connected directly to inground wiring.

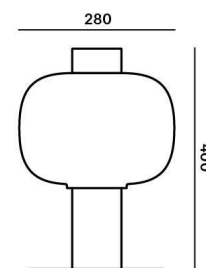


Colours options: [https://brokis.sharepoint.com/:b:/s/brokis\\_sp/EYRQfuSUJwxMrAUQ91ti3xABpwFzFcwSr2L2s\\_mzSc85ww](https://brokis.sharepoint.com/:b:/s/brokis_sp/EYRQfuSUJwxMrAUQ91ti3xABpwFzFcwSr2L2s_mzSc85ww)

## CONSTRUCTION SPECIFICATION

**Weight:** 6 kg  
**Construction material:** glass, stainless steel  
**Cord length [mm]:** -  
**Mounting:** Floor  
**Environment:** Outdoor

## DIMENSIONS [mm]



## ELECTRICAL SPECIFICATION

**Input voltage [V]:** 230 V  
**Frequency [Hz]:** 50-60 Hz  
**Max. power [W]:** 60 W  
**Coverage IP:** 44  
**Socket:** E27  
**Light source:** -  
**Energy class:** A+ to E depending on light source

## CERTIFICATIONS



BROKIS S.R.O.  
ŠPANILOVA 1315/25  
163 00 PRAHA 6 - ŘEPY  
CZECH REPUBLIC

ORG ID 64940799  
VAT ID CZ64940799  
C 42174 MĚSTSKÝ SOUD  
V PRAZE

TEL +420 567 211 517  
TECHNICAL@BROKIS.CZ  
INFO@BROKIS.CZ  
WWW.BROKIS.CZ

2022\_02  
PAGE 1

# DATASHEET

## RECOMMENDED BULBS



Download



**CM8790**

<b>Socket</b>	E27
<b>Type</b>	LED filament
<b>Lamp wattage [W]</b>	11 W
<b>Input voltage [V]</b>	220 - 240 VAC
<b>Energy class</b>	E
<b>Flux [lm]</b>	1250 lm
<b>Light colour [K]</b>	2700 K
<b>CRI</b>	90
<b>Lifespan [h]</b>	20000h
<b>Dimmable</b>	yes
<b>Dimensions h x w [mm]</b>	175 x 32 mm



BROKIS®

BROKIS S.R.O.  
ŠPANILOVA 1315/25  
163 00 PRAHA 6 - ŘEPY  
CZECH REPUBLIC

ORG ID 64940799  
VAT ID CZ64940799  
C 42174 MĚSTSKÝ SOUD  
V PRAZE

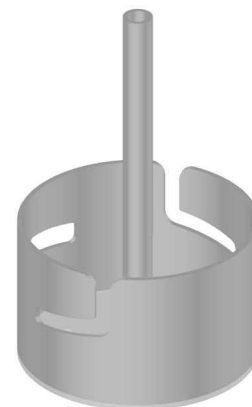
TEL +420 567 211 517  
TECHNICAL@BROKIS.CZ  
INFO@BROKIS.CZ  
WWW.BROKIS.CZ

2022\_02  
PAGE 2

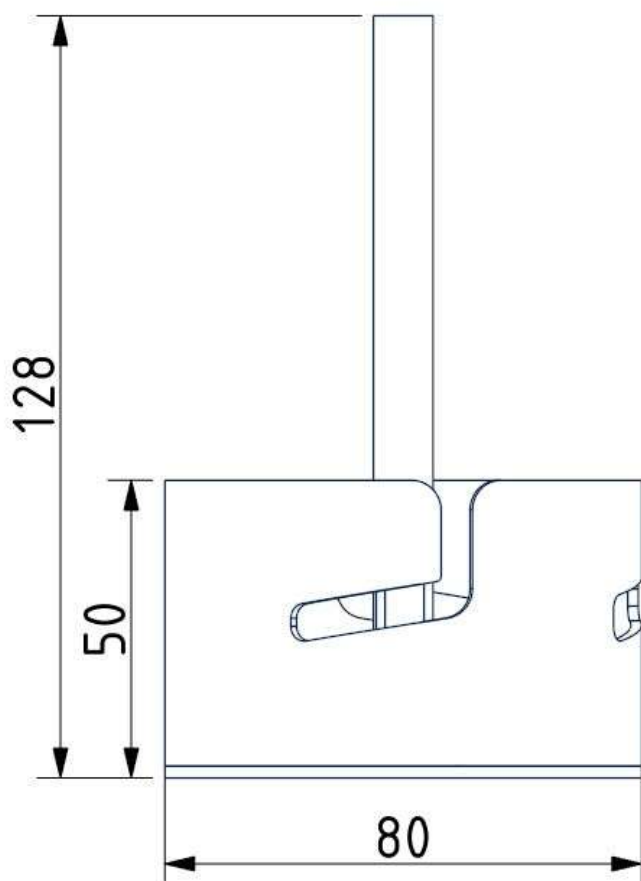


### INNER FIXTURE

Dimensions O x w [mm] 80x128 mm  
Weight [kg] 0,3 kg  
Material stainless steel



### Drawing



### Hole placement

