

DATASHEET

Type: **GEOMETRIC**
Name: Pendant light
ID: PC1150
Designed by: Boris Klimek & Lenka Dámová



Download

Description

Geometric accentuates the aesthetic expression and structure of BROKISGLASS, which itself is remarkably distinctive. The collection is defined by basic geometric shapes that characterize the overall contours of the lights and instil them with a singular graphic element to achieve a striking contrast with the animate, almost sculptural makeup of the glass.



Tech. description

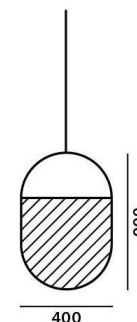
The light comprises a metal frame encased from both sides in BROKISGLASS, while internal LED 24VDC modules with optical elements scatter light evenly across the glass. The light is hung on two steel wires extending from a ceiling canopy, which also houses the electronics.

Colours options: https://brokis.sharepoint.com/:b:/s/brokis_sp/EYMAdivvPWZDvu2dzkov7IIBzHeavOqLnr03nBIWOnKrKA

CONSTRUCTION SPECIFICATION

Weight: 14,5 kg
Construction material: glass, metal
Cord length [mm]: 2.200 mm
Mounting: Ceiling
Environment: Indoor

DIMENSIONS [mm]



ELECTRICAL SPECIFICATION

Input voltage [V]: 100 - 240 V
Frequency [Hz]: 50-60 Hz
Max. power [W]: 50 W
Coverage IP: 20
Socket: -
Light source: LED module
Energy class: A+

CERTIFICATIONS



BROKIS S.R.O.
ŠPANILOVA 1315/25
163 00 PRAHA 6 - ŘEPY
CZECH REPUBLIC

ORG ID 64940799
VAT ID CZ64940799
C 42174 MĚSTSKÝ SOUD
V PRAZE

TEL +420 567 211 517
TECHNICAL@BROKIS.CZ
INFO@BROKIS.CZ
WWW.BROKIS.CZ

2020_08
PAGE 1



**CM11918 Geometric LED modul oval
2700K**

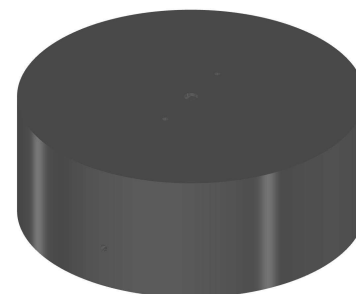
| | |
|--------------------------|------------|
| Type | LED module |
| Lamp wattage [W] | 20 W |
| Input voltage [V] | 24 VDC |
| Energy class | A+ |
| Flux [lm] | 2500 lm |
| Light colour [K] | 2700 K |
| CRI | 90+ |
| Lifespan [h] | 20000h |
| Dimmable | yes (PWM) |



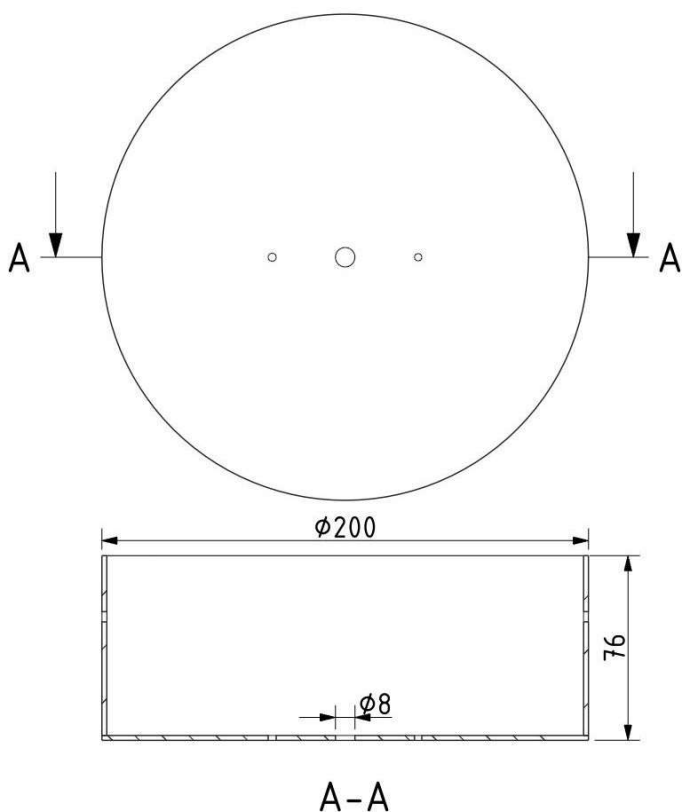


INNER FIXTURE

Dimensions O x w [mm] 200 x 76 mm
Weight [kg] 2,6 kg
Material metal



Drawing



Hole placement

