

# DATASHEET

Type: **GEOMETRIC**  
Name: Pendant light  
ID: PC1147  
Designed by: Boris Klimek & Lenka Dámová



Download

## Description

Geometric accentuates the aesthetic expression and structure of BROKISGLASS, which itself is remarkably distinctive. The collection is defined by basic geometric shapes that characterize the overall contours of the lights and instil them with a singular graphic element to achieve a striking contrast with the animate, almost sculptural makeup of the glass.



## Tech. description

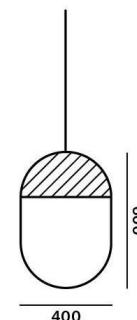
The light comprises a metal frame encased from both sides in BROKISGLASS, while internal LED 24VDC modules with optical elements scatter light evenly across the glass. The light is hung on two steel wires extending from a ceiling canopy, which also houses the electronics.

Colours options: [https://brokis.sharepoint.com/:b/s/brokis\\_sp/EVlRt4gDijtBtQRq2-8XmdwBGhdUQaZ000q7CT4RaBpTyg](https://brokis.sharepoint.com/:b/s/brokis_sp/EVlRt4gDijtBtQRq2-8XmdwBGhdUQaZ000q7CT4RaBpTyg)

## CONSTRUCTION SPECIFICATION

**Weight:** 8,5 kg  
**Construction material:** glass, metal  
**Cord length [mm]:** 2.200 mm  
**Mounting:** Ceiling  
**Environment:** Indoor

## DIMENSIONS [mm]



## ELECTRICAL SPECIFICATION

**Input voltage [V]:** 100 - 240 V  
**Frequency [Hz]:** 50-60 Hz  
**Max. power [W]:** 20 W  
**Coverage IP:** 20  
**Socket:** -  
**Light source:** LED module  
**Energy class:** A+

## CERTIFICATIONS



BROKIS S.R.O.  
ŠPANILOVA 1315/25  
163 00 PRAHA 6 - ŘEPY  
CZECH REPUBLIC

ORG ID 64940799  
VAT ID CZ64940799  
C 42174 MĚSTSKÝ SOUD  
V PRAZE

TEL +420 567 211 517  
TECHNICAL@BROKIS.CZ  
INFO@BROKIS.CZ  
WWW.BROKIS.CZ

2020\_08  
PAGE 1



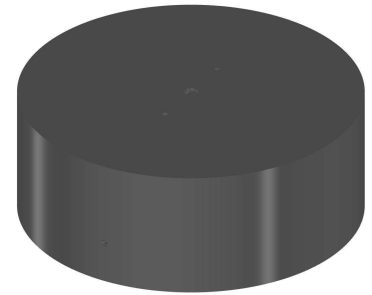
### CM11919 Geometric LED modul pulkrüh 2700K

<b>Type</b>	LED module
<b>Lamp wattage [W]</b>	10 W
<b>Input voltage [V]</b>	24 VDC
<b>Energy class</b>	A+
<b>Flux [lm]</b>	1250 lm
<b>Light colour [K]</b>	2700 K
<b>CRI</b>	90+
<b>Lifespan [h]</b>	20000h
<b>Dimmable</b>	yes (PWM)

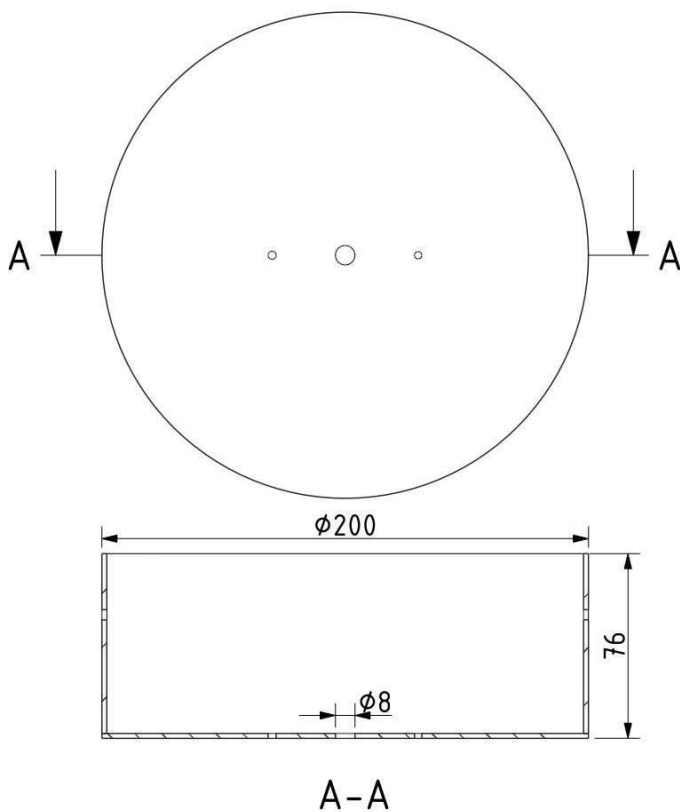


### INNER FIXTURE

Dimensions O x w [mm] 200 x 76 mm  
Weight [kg] 2,6 kg  
Material metal



### Drawing



### Hole placement

