

# DATASHEET

Type: **NIGHT BIRDS**  
Name: Pendent light  
ID: PC1112  
Designed by: Boris Klimek



Download

## Description

Night Birds Exterior are identical to the original interior collection, which was inspired by the freedom of bird flight. To withstand varying weather conditions, the lights have been modified to comply with the IP54 rating for outdoor use.



## Tech. description

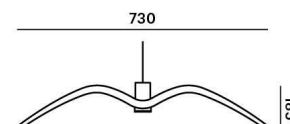
The light comprises a metal body with GZ10 socket, a dural cap, silicone power cord, and a stainless-steel ceiling canopy. The entire assembly is IP54 compliant. The glass component is suspended from the metal body. In turn, the light assembly is suspended from the ceiling canopy.

Colours options: [https://brokis.sharepoint.com/:b/s/brokis\\_sp/EVBva-Ag3GJCuKz2Y6pjKo0B9bZp683GGyTng7-tETI6pQ](https://brokis.sharepoint.com/:b/s/brokis_sp/EVBva-Ag3GJCuKz2Y6pjKo0B9bZp683GGyTng7-tETI6pQ)

## CONSTRUCTION SPECIFICATION

**Weight:** 3 kg  
**Construction material:** glass, metal  
**Cord length [mm]:** 2,000 mm  
**Mounting:** Ceiling  
**Environment:** Outdoor

## DIMENSIONS [mm]



## ELECTRICAL SPECIFICATION

**Input voltage [V]:** 230 V  
**Frequency [Hz]:** 50-60 Hz  
**Max. power [W]:** 10 W  
**Coverage IP:** 54  
**Socket:** GZ10  
**Light source:** -  
**Energy class:** A+ to B depending on light source

## CERTIFICATIONS



BROKIS S.R.O.  
ŠPANILOVA 1315/25  
163 00 PRAHA 6 - ŘEPY  
CZECH REPUBLIC

ORG ID 64940799  
VAT ID CZ64940799  
C 42174 MĚSTSKÝ SOUD  
V PRAZE

TEL +420 567 211 517  
TECHNICAL@BROKIS.CZ  
INFO@BROKIS.CZ  
WWW.BROKIS.CZ

2022\_01  
PAGE 1

# DATASHEET

## RECOMMENDED BULBS



Download



**CM9963**

<b>Socket</b>	GU10
<b>Type</b>	LED
<b>Lamp wattage [W]</b>	6,5 W
<b>Input voltage [V]</b>	220 - 240 VAC
<b>Energy class</b>	A+
<b>Flux [lm]</b>	336 lm
<b>Light colour [K]</b>	2700 K
<b>CRI</b>	90+
<b>Lifespan [h]</b>	25000h
<b>Dimmable</b>	yes
<b>Dimensions h x w [mm]</b>	55 x 50 mm



BROKIS®

BROKIS S.R.O.  
ŠPANILOVA 1315/25  
163 00 PRAHA 6 - ŘEPY  
CZECH REPUBLIC

ORG ID 64940799  
VAT ID CZ64940799  
C 42174 MĚSTSKÝ SOUD  
V PRAZE

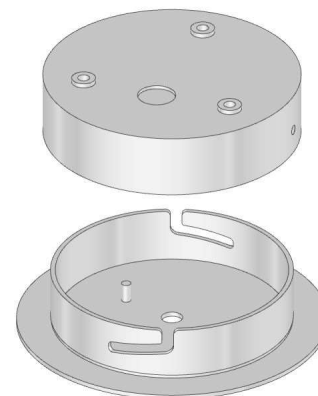
TEL +420 567 211 517  
TECHNICAL@BROKIS.CZ  
INFO@BROKIS.CZ  
WWW.BROKIS.CZ

2022\_01  
PAGE 2



### INNER FIXTURE

Dimensions O x w [mm] 130 x 34 mm  
Weight [kg] 0,6 kg  
Material stainless steel



### Drawing

### Hole placement

