

DATASHEET

Type: **NIGHT BIRDS**
Name: Pendent light
ID: PC1111
Designed by: Boris Klimek



Download

Description

Night Birds Exterior are identical to the original interior collection, which was inspired by the freedom of bird flight. To withstand varying weather conditions, the lights have been modified to comply with the IP54 rating for outdoor use.

Tech. description

The light comprises a metal body with GZ10 socket, a dural cap, silicone power cord, and a stainless-steel ceiling canopy. The entire assembly is IP54 compliant. The glass component is suspended from the metal body. In turn, the light assembly is suspended from the ceiling canopy.

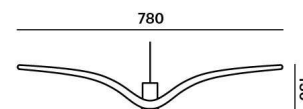


Colours options: https://brokis.sharepoint.com/:b/s/brokis_sp/EYEov42icJRBuDEO50q2-9kBV25oAX2rKhCMYVvPjVHeHQ

CONSTRUCTION SPECIFICATION

Weight: 3 kg
Construction material: glass, metal
Cord length [mm]: 2,000 mm
Mounting: Ceiling
Environment: Outdoor

DIMENSIONS [mm]



ELECTRICAL SPECIFICATION

Input voltage [V]: 230 V
Frequency [Hz]: 50-60 Hz
Max. power [W]: 10 W
Coverage IP: 54
Socket: GZ10
Light source: -
Energy class: A+ to B depending on light source

CERTIFICATIONS



BROKIS S.R.O.
ŠPANILOVA 1315/25
163 00 PRAHA 6 - ŘEPY
CZECH REPUBLIC

ORG ID 64940799
VAT ID CZ64940799
C 42174 MĚSTSKÝ SOUD
V PRAZE

TEL +420 567 211 517
TECHNICAL@BROKIS.CZ
INFO@BROKIS.CZ
WWW.BROKIS.CZ

2022_01
PAGE 1

DATASHEET

RECOMMENDED BULBS



Download



CM9963

Socket	GU10
Type	LED
Lamp wattage [W]	6,5 W
Input voltage [V]	220 - 240 VAC
Energy class	A+
Flux [lm]	336 lm
Light colour [K]	2700 K
CRI	90+
Lifespan [h]	25000h
Dimmable	yes
Dimensions h x w [mm]	55 x 50 mm



BROKIS®

BROKIS S.R.O.
ŠPANILOVA 1315/25
163 00 PRAHA 6 - ŘEPY
CZECH REPUBLIC

ORG ID 64940799
VAT ID CZ64940799
C 42174 MĚSTSKÝ SOUD
V PRAZE

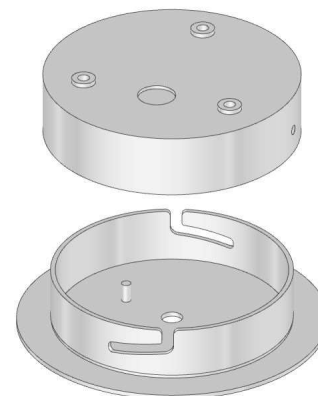
TEL +420 567 211 517
TECHNICAL@BROKIS.CZ
INFO@BROKIS.CZ
WWW.BROKIS.CZ

2022_01
PAGE 2



INNER FIXTURE

Dimensions O x w [mm] 130 x 34 mm
Weight [kg] 0,6 kg
Material stainless steel



Drawing

Hole placement

