

DATASHEET

Type: **KNOT**
Name: Pendant light
ID: PC1019
Designed by: Chiaramonte Marin



Download

Description

KNOT is a collection of stately pendent lights that appose two dramatically dissimilar materials. The design combines coarse natural fibre with smooth, transparent handblown glass to arouse a contrast as striking as it is dignified.

Tech. description

The light comprises a glass shade, glass diffuser, metal component with LED module, and linen rope and is suspended from the ceiling canopy with a special bracket. The bottom section of the light is engineered as SELV.

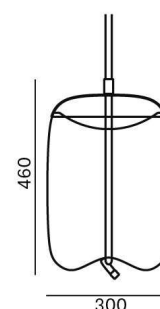


Colours options: https://brokis.sharepoint.com/:b:/s/brokis_sp/ET2XTCV0SOdMkM2d63qEJE4B4PYfERoQ8eD3k6zjGvj56g

CONSTRUCTION SPECIFICATION

Weight: 7 kg
Construction material: glass, metal, linen rope
Cord length [mm]: Individual, max. 5,000 mm
Mounting: Ceiling
Environment: Indoor

DIMENSIONS [mm]



ELECTRICAL SPECIFICATION

Input voltage [V]: 100 - 240 V
Frequency [Hz]: 50-60 Hz
Max. power [W]: 8,9 W
Coverage IP: 20
Socket: LED module
Light source: -
Energy class: E

CERTIFICATIONS

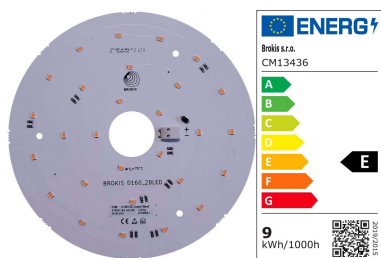


BROKIS S.R.O.
ŠPANILOVA 1315/25
163 00 PRAHA 6 - ŘEPY
CZECH REPUBLIC

ORG ID 64940799
VAT ID CZ64940799
C 42174 MĚSTSKÝ SOUD
V PRAZE

TEL +420 567 211 517
TECHNICAL@BROKIS.CZ
INFO@BROKIS.CZ
WWW.BROKIS.CZ

2020_08
PAGE 1



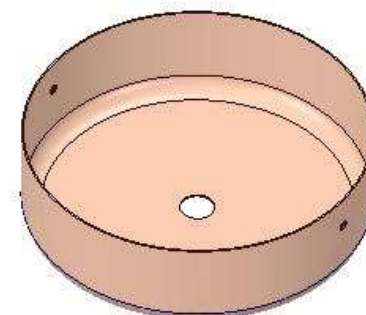
CM13436

Type	LED module
Lamp wattage [W]	8,9 W
Input voltage [V]	24 VDC
Energy class	E
Flux [lm]	1170 lm
Light colour [K]	2700 K
CRI	93
Dimmable	yes

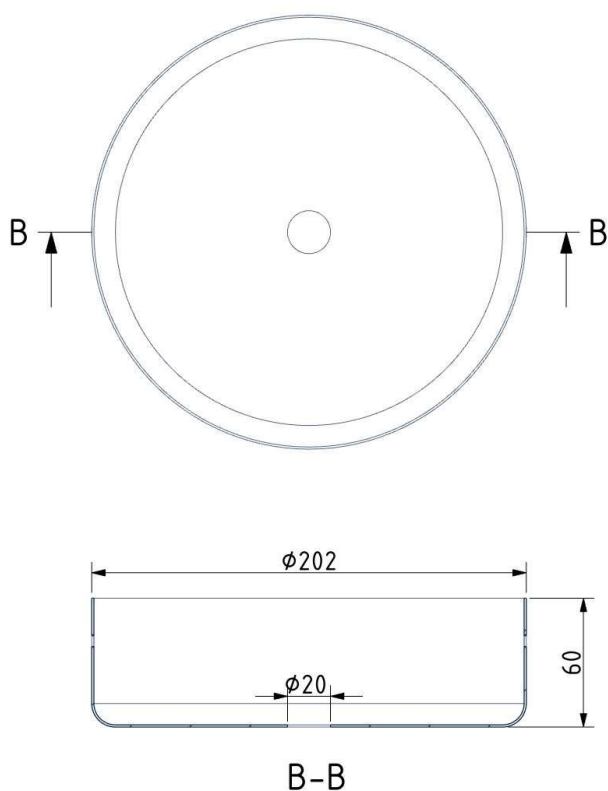


INNER FIXTURE

Dimensions O x w [mm] 202 x 60 mm
Weight [kg] 1.15 kg
Material metal



Drawing



Hole placement

