

FLOS

F1810044 Anodized Champagne

Coordinates Wall 1

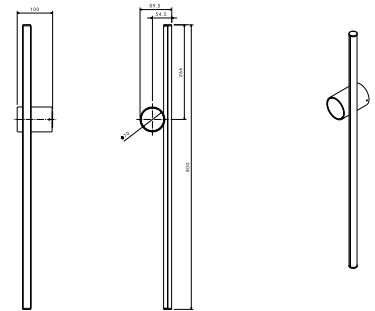
Designed by Michael Anastassiades, 2020

15W - 961lm - 2700K - CRI> 90

Wall-mounted diffuse lighting device composed of a horizontal bar (model Wall 1) or vertical and horizontal bar (model W2). Each bar is composed of: extruded and processed aluminium body anodized in a champagne colour; diffuser in platinum optical silicone; integrated LED strip (CRI 90). Each model comes with its own rose, whose integrated electronics allow for the use of different dimmer systems.

Are you a professional and your project needs consulting and support?

BOOK AN APPOINTMENT



Main specifications

EAN	8059607035238
Mounting	Wall
Environments	Indoor dry location
Light Source Type	LED
LED type	LED Module
Power (W)	15
System power (W)	15
System flux (lm)	961

Physical

Colour	Anodized Champagne
Length (mm)	800
Net weight (kg)	0.8
Package volume (m3)	0.04
IP internal	20

Download

- Mounting instructions [↓ PDF](#)
- Compatible dimmers [↓ PDF](#)

Photometric Files

- ULD [↓ ZIP](#)
- LDT / IES [↓ LDT](#)

Technical Drawings

- 3D [↓ ZIP](#)
- [↓ ZIP](#)



Photometric

Lighting type	Total
Light distribution	Asymmetric
CCT (K)	2700
CRI>	90

Electrical

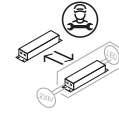
Insulation class	I
Frequency (Hz)	50/60
Main voltage (Vac)	230
Driver	Integrated
Dimmable	Yes
Dimming type	Mains Cut Dimming
Dimming interface	Remote Dimmable (Dimmer Not Included)
Batteries inside	No

Ecodesign and Energy Labelling

This product contains a light source of energy efficiency class F



Replaceable (LED only) light source by a professional



Replaceable control gear by a professional

FLOS

F1811044 Anodized Champagne

Coordinates Wall 2

Designed by Michael Anastassiades, 2020

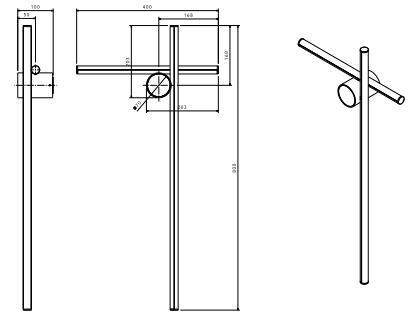
24W - 1402lm - 2700K - CRI> 90

Wall-mounted diffuse lighting device composed of a horizontal bar (model Wall 1) or vertical and horizontal bar (model W2). Each bar is composed of: extruded and processed aluminium body anodized in a champagne colour; diffuser in platinum optical silicone; integrated LED strip (CRI 90). Each model comes with its own rose, whose integrated electronics allow for the use of different dimmer systems.



Are you a professional and your project needs consulting and support?

[BOOK AN APPOINTMENT](#)



Main specifications

EAN	8059607035306
Mounting	Wall
Environments	Indoor dry location
Light Source Type	LED
LED type	LED Module
Power (W)	24
System power (W)	24
System flux (lm)	1402

Physical

Colour	Anodized Champagne
Length (mm)	800
Net weight (kg)	1
Package volume (m3)	0.07
IP internal	20

Download

- [Mounting instructions](#) PDF
- [Compatible dimmers](#) PDF

Photometric Files

- [ULD](#) ZIP
- [LDT / IES](#) LDT

Technical Drawings

- [3D](#) ZIP
- [Bim](#) ZIP



Photometric

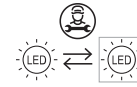
Lighting type	Total
Light distribution	Asymmetric
CCT (K)	2700
CRI>	90

Electrical

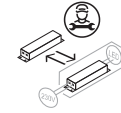
Insulation class	I
Frequency (Hz)	50/60
Main voltage (Vac)	230
Driver	Integrated
Dimmable	Yes
Dimming type	Mains Cut Dimming
Dimming interface	Remote Dimmable (Dimmer Not Included)
Batteries inside	No

Ecodesign and Energy Labelling

This product contains a light source of energy efficiency class F



Replaceable (LED only) light source by a professional



Replaceable control gear by a professional