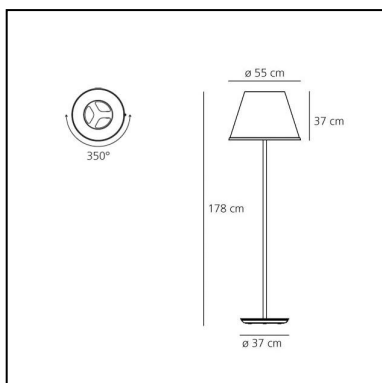


Choose Mega Floor - Parchment/Chrome

Matteo Thun & Partners



IP20   EAC 



LUMINAIRE

- Watt: **52W**
- Voltage: **220V-240V**
- Delivered lumen output: **5022lm**
- Efficiency: **83%**
- Efficacy: **14.62lm/W**
- CRI: **100**

DESCRIPTION

The diffuser, which characterises this lamp family with its materials and texture, can be tilted by 30° and rotated on its own axis to direct the light for reading in Choose Floor, while it remains fixed in the Mega version.

FEATURES

- Product Code: **1135120A**
- Colour: **Parchment/Chrome**
- Installation: **Floor**
- Material: **Polycarbonate, parchment paper, steel, zamak**
- Series: **Design Collection**
- Environment: **Indoor**
- Area contract: **Hospitality**
- Emission: **Diffused And Direct**
- design by: **Matteo Thun & Partners**

DIMENSIONS

- Height: **1780 mm**
- Diameter: **550 mm**
- Base Diameter: **370 mm**
- Glow Wire Test: **750°**

SOURCES NOT INCLUDED

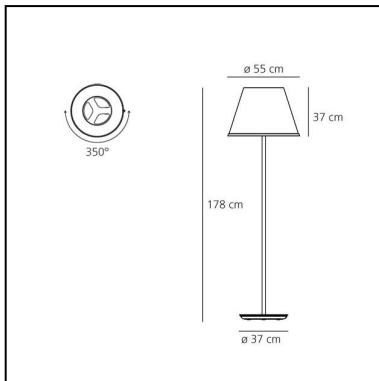
- Category: **LED RETROFIT**
- Number: **3**
- Watt: **15W**
- Socket: **E27**
- Category: **LED RETROFIT**
- Number: **1**
- Watt: **8W**
- Socket: **E27**

Choose Mega Floor - Parchment/Gray anthracite

Matteo Thun & Partners



IP20   EAC 



LUMINAIRE

- Watt: **52W**
- Voltage: **220V-240V**
- Delivered lumen output: **5022lm**
- Efficiency: **83%**
- Efficacy: **96.57lm/W**
- CRI: **80**

DESCRIPTION

The diffuser, which characterises this lamp family with its materials and texture, can be tilted by 30° and rotated on its own axis to direct the light for reading in Choose Floor, while it remains fixed in the Mega version.

FEATURES

- Product Code: **1135020A**
- Colour: **Parchment/Gray anthracite**
- Installation: **Floor**
- Material: **Polycarbonate, parchment paper, steel, zamak**
- Series: **Design Collection**
- Environment: **Indoor**
- Area contract: **Hospitality**
- Emission: **Diffused And Direct**
- design by: **Matteo Thun & Partners**

DIMENSIONS

- Height: **1780 mm**
- Diameter: **550 mm**
- Base Diameter: **370 mm**
- Glow Wire Test: **750°**

SOURCES NOT INCLUDED

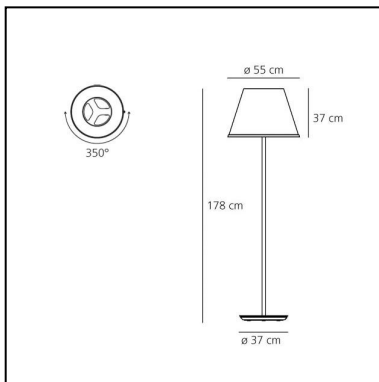
- Category: **LED RETROFIT**
- Number: **3**
- Watt: **15W**
- Socket: **E27**
- Category: **LED RETROFIT**
- Number: **1**
- Watt: **8W**
- Socket: **E27**

Choose Mega Floor - White/Chrome

Matteo Thun & Partners



IP20    



LUMINAIRE

- Watt: **52W**
- Voltage: **220V-240V**
- Delivered lumen output: **5022lm**
- Efficiency: **83%**
- Efficacy: **14.62lm/W**
- CRI: **100**

DESCRIPTION

The diffuser, which characterises this lamp family with its materials and texture, can be tilted by 30° and rotated on its own axis to direct the light for reading in Choose Floor, while it remains fixed in the Mega version.

FEATURES

- Product Code: **1135110A**
- Colour: **White/Chrome**
- Installation: **Floor**
- Material: **Polycarbonate, parchment paper, steel, zamak**
- Series: **Design Collection**
- Environment: **Indoor**
- Area contract: **Hospitality**
- Emission: **Diffused And Direct**
- design by: **Matteo Thun & Partners**

DIMENSIONS

- Height: **1780 mm**
- Diameter: **550 mm**
- Base Diameter: **370 mm**
- Glow Wire Test: **750°**

SOURCES NOT INCLUDED

- Category: **LED RETROFIT**
- Number: **3**
- Watt: **15W**
- Socket: **E27**
- Category: **LED RETROFIT**
- Number: **1**
- Watt: **8W**
- Socket: **E27**