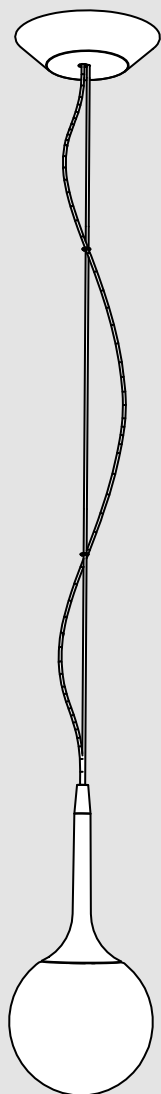


Artemide®

Castore

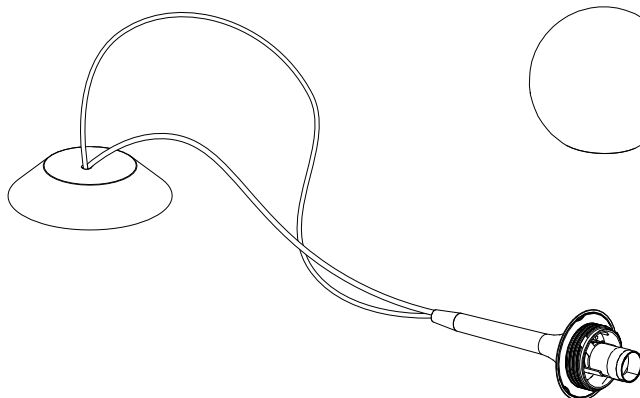
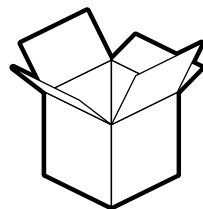
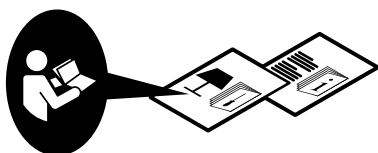
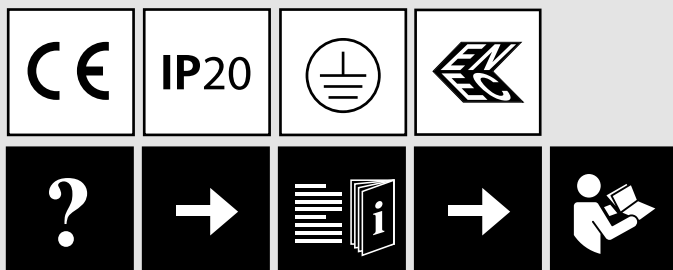
design

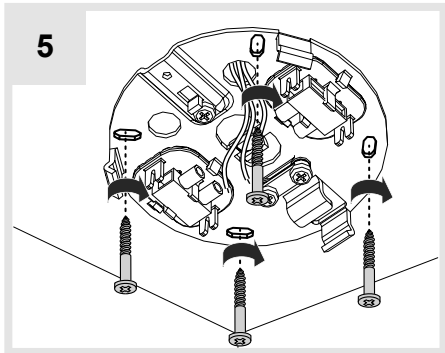
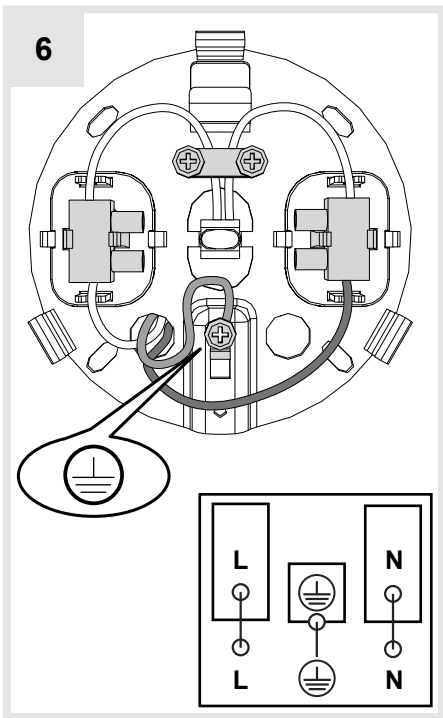
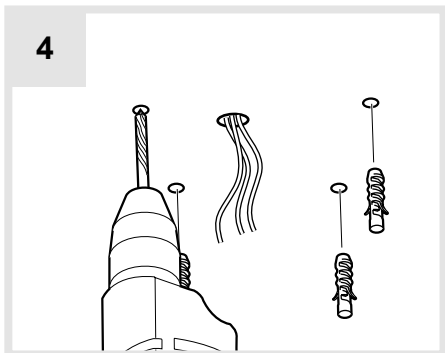
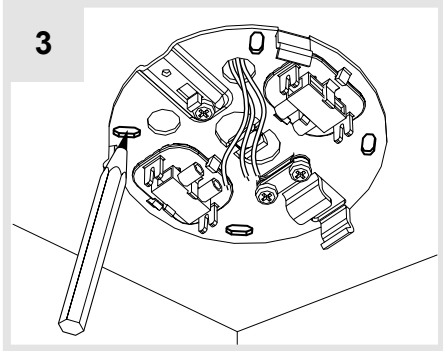
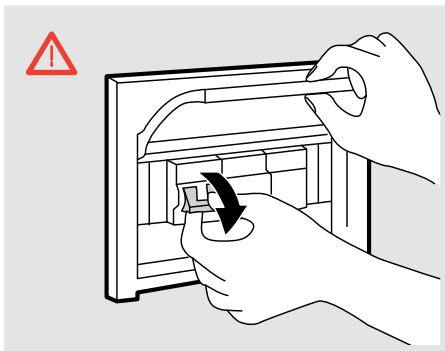
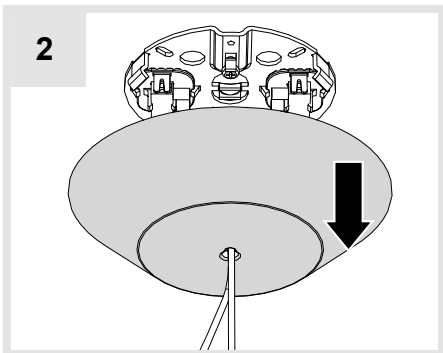
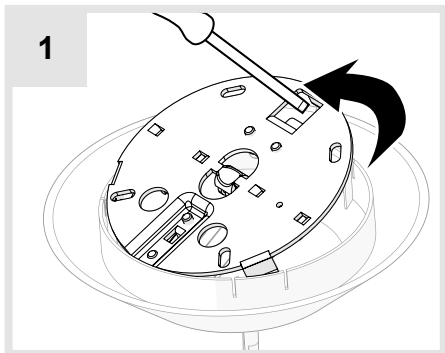
M. De Lucchi / H. Ubbens





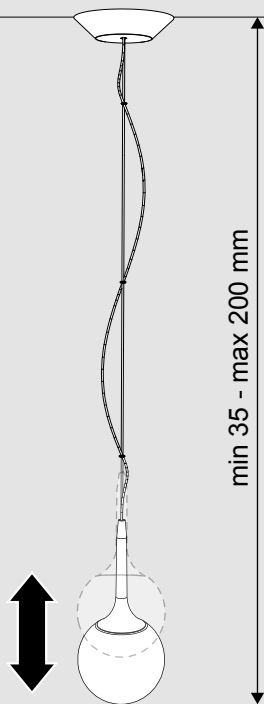
i



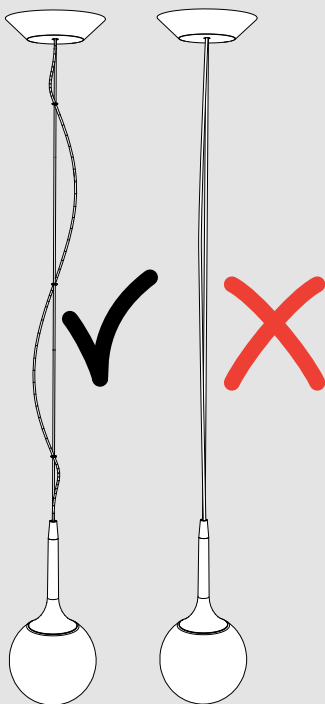
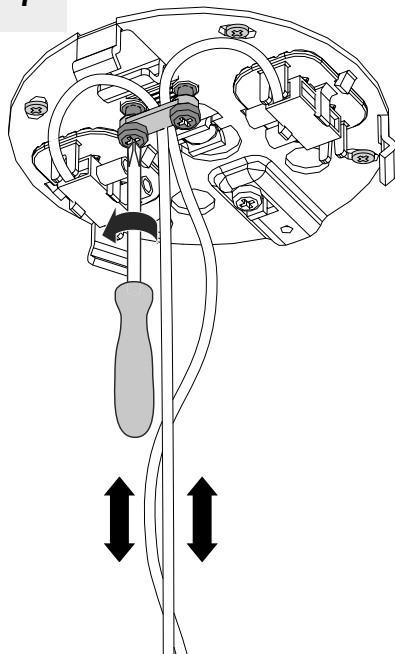




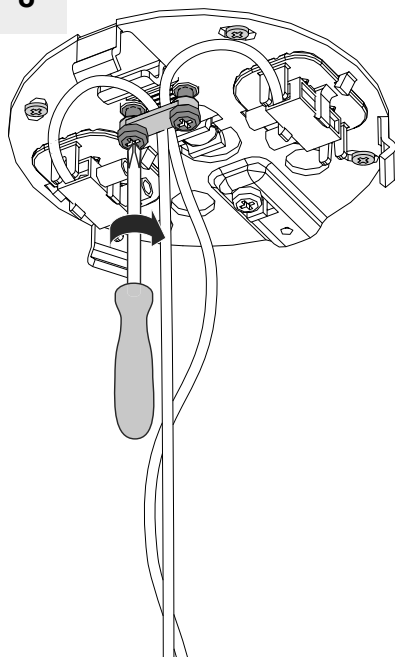
i



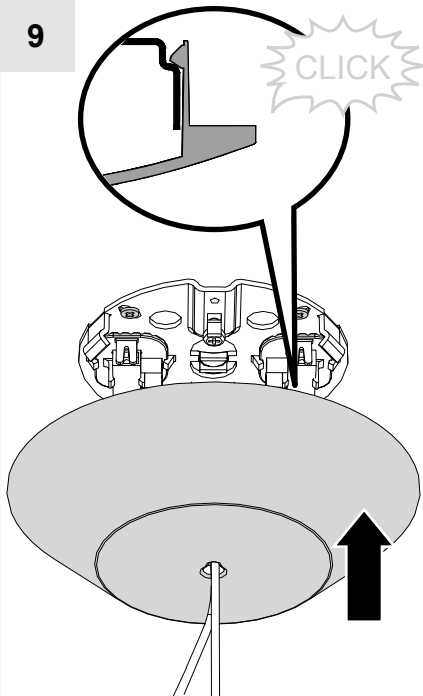
7



8



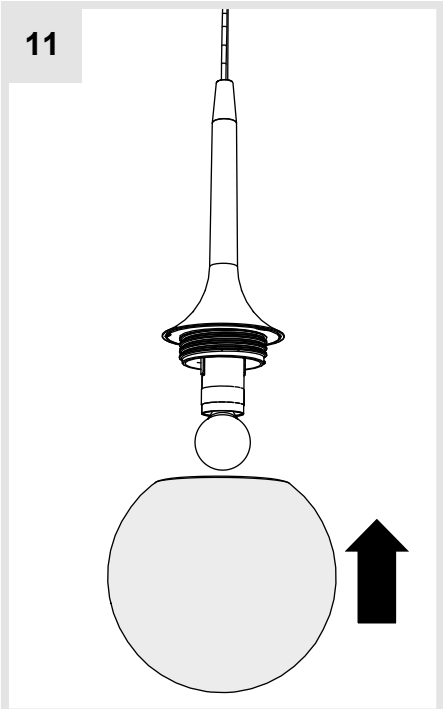
9



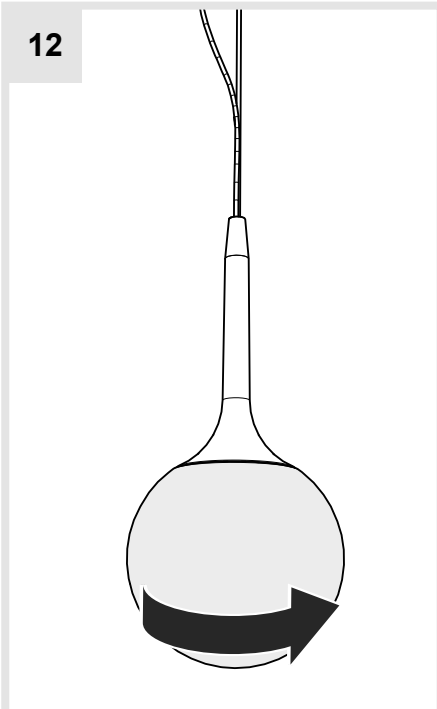
10



11

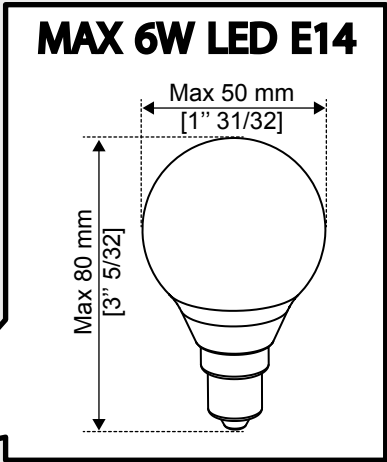


12

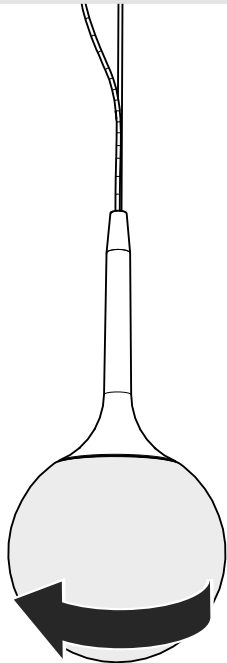




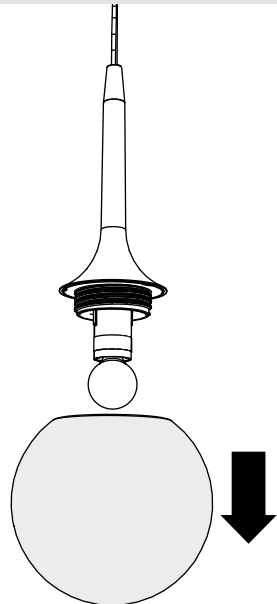
i



1



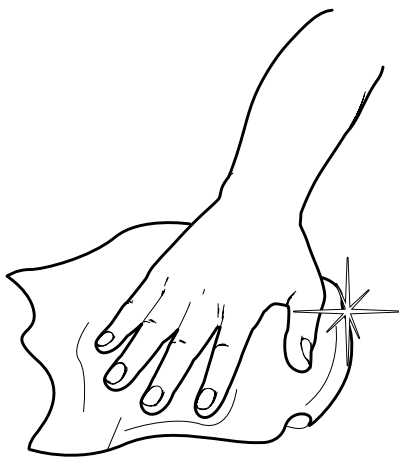
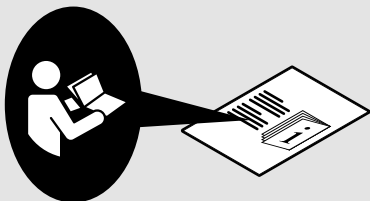
2



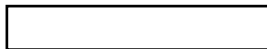
10

11

12



Artemide®



Artemide

via Bergamo, 18
20010 Pregnana M.se (MI)
ITALIA

tel. +39 02 935 181
fax +39 02 935 90 254
fax +39 02 935 90 496

www.artemide.com

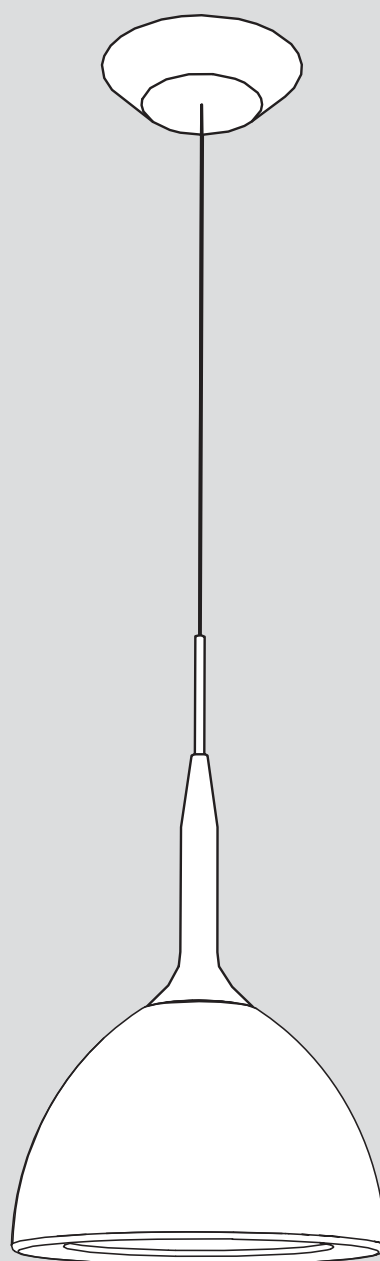
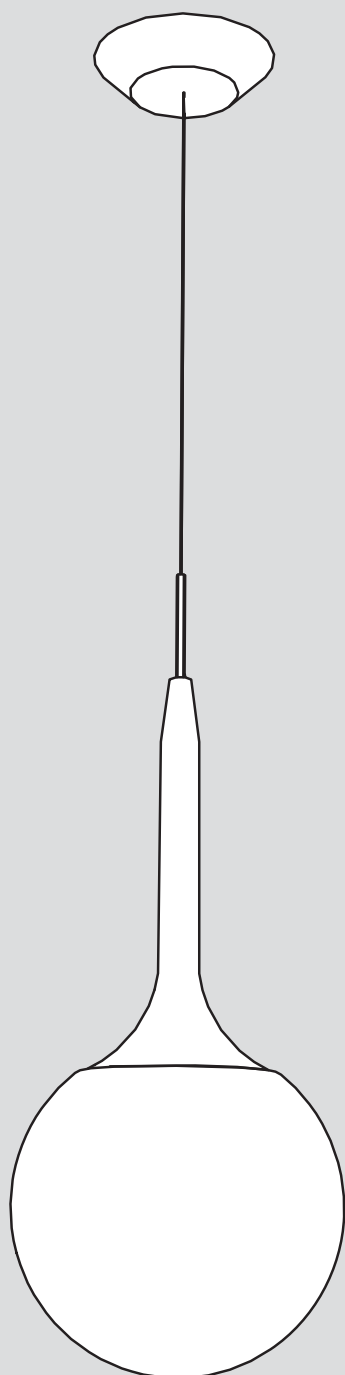
VAT IT00846890150

cod. Y513000991B

Artemide®

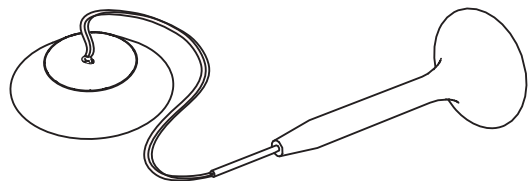
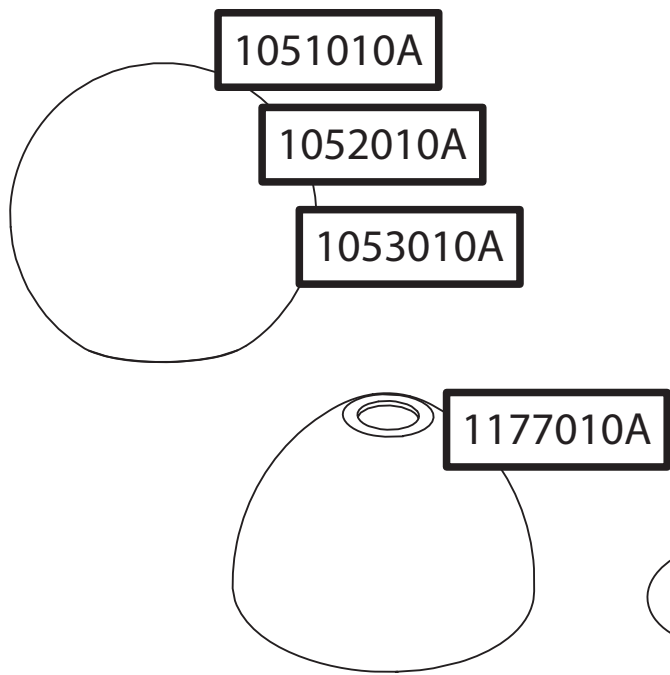
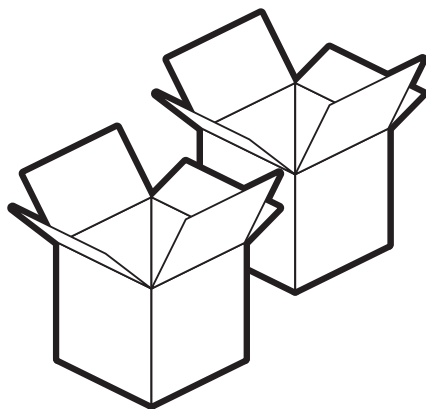
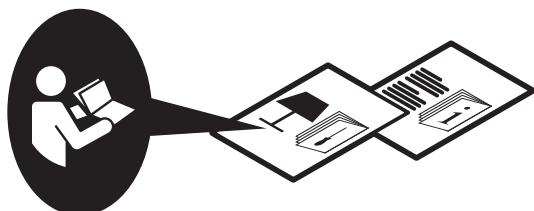
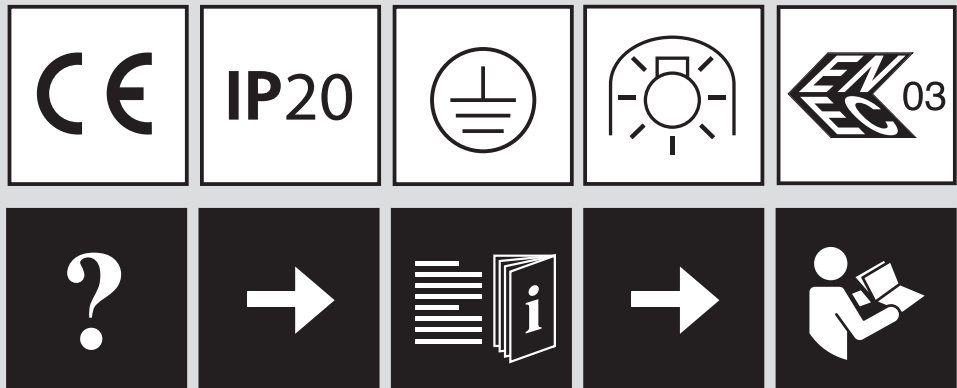
Castore / Castore Calice

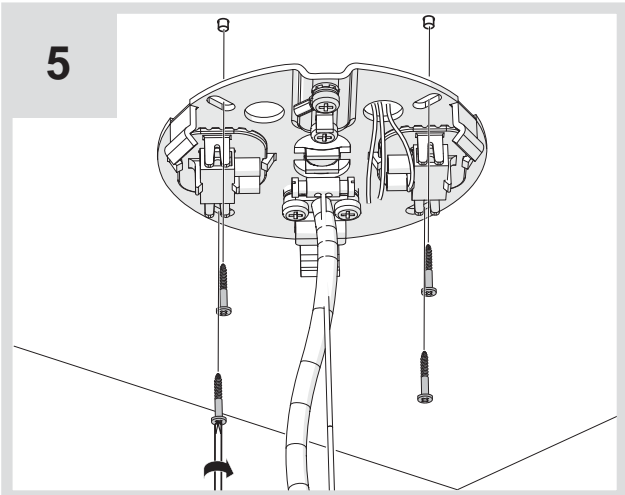
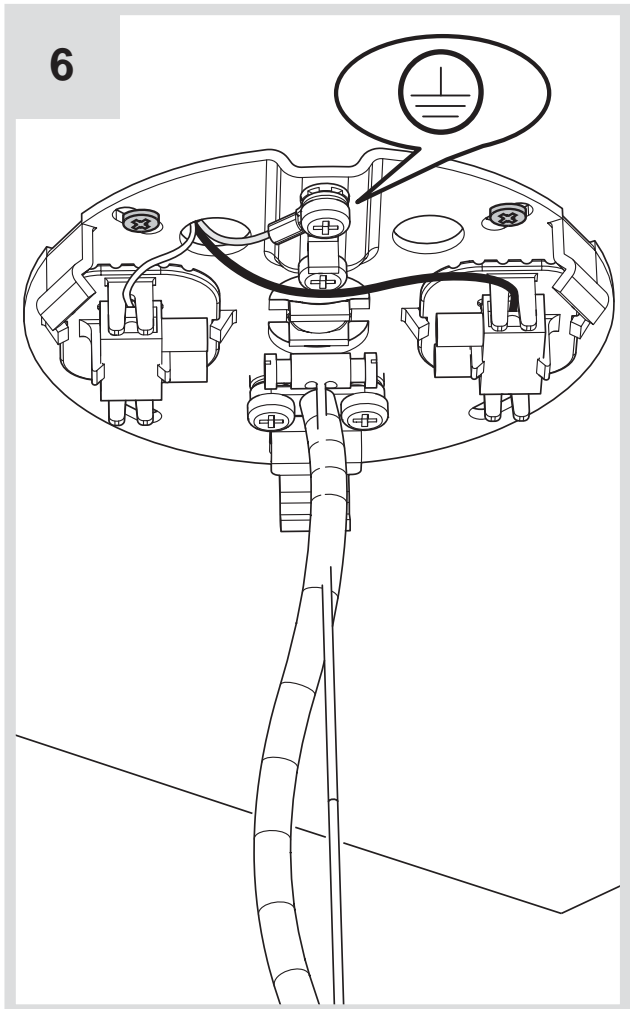
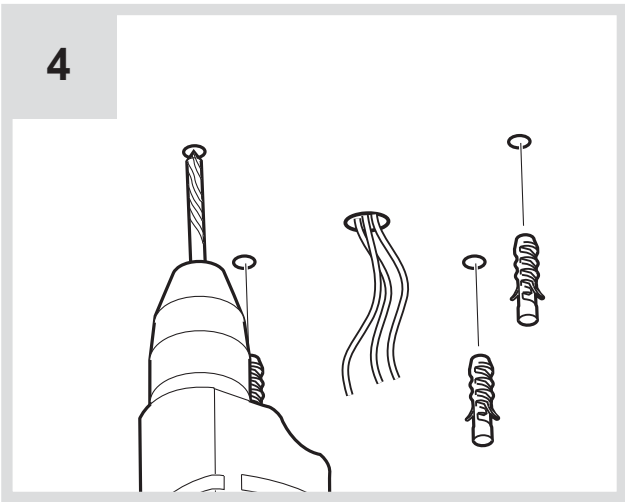
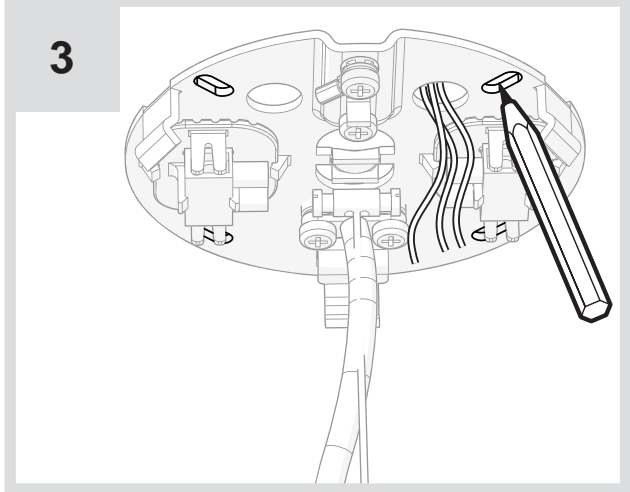
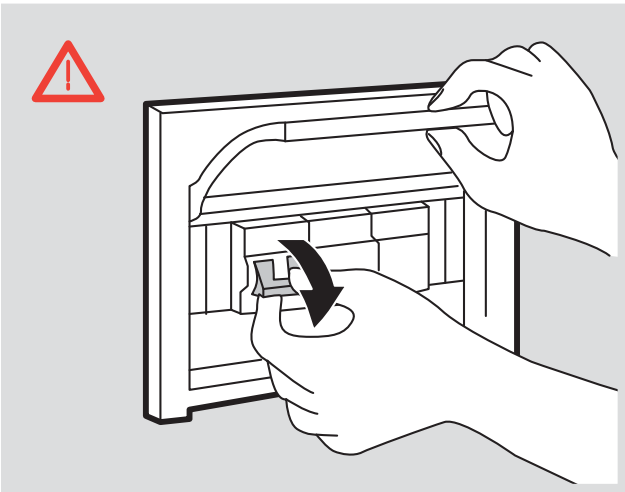
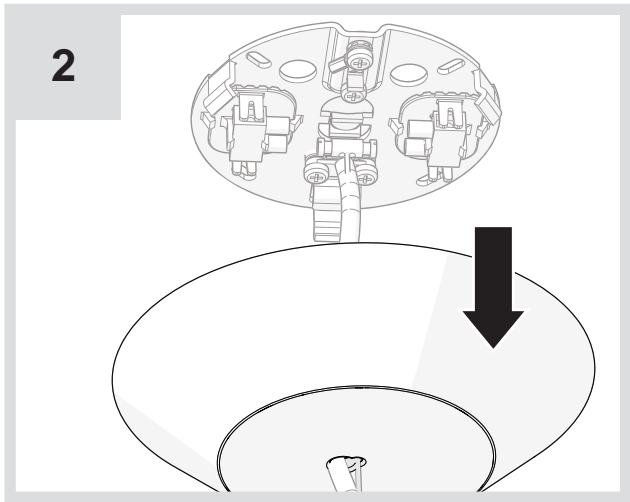
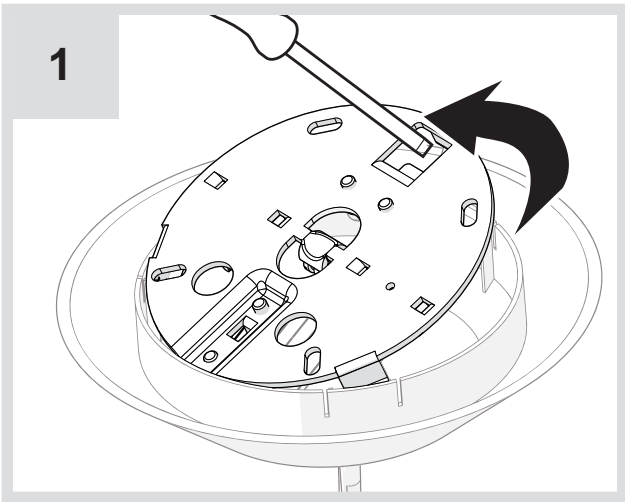
design
M. De Lucchi / H. Ubbens

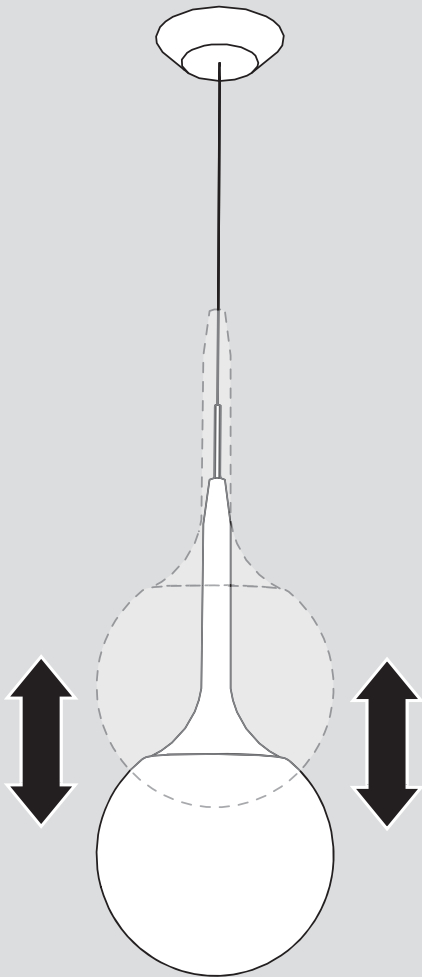




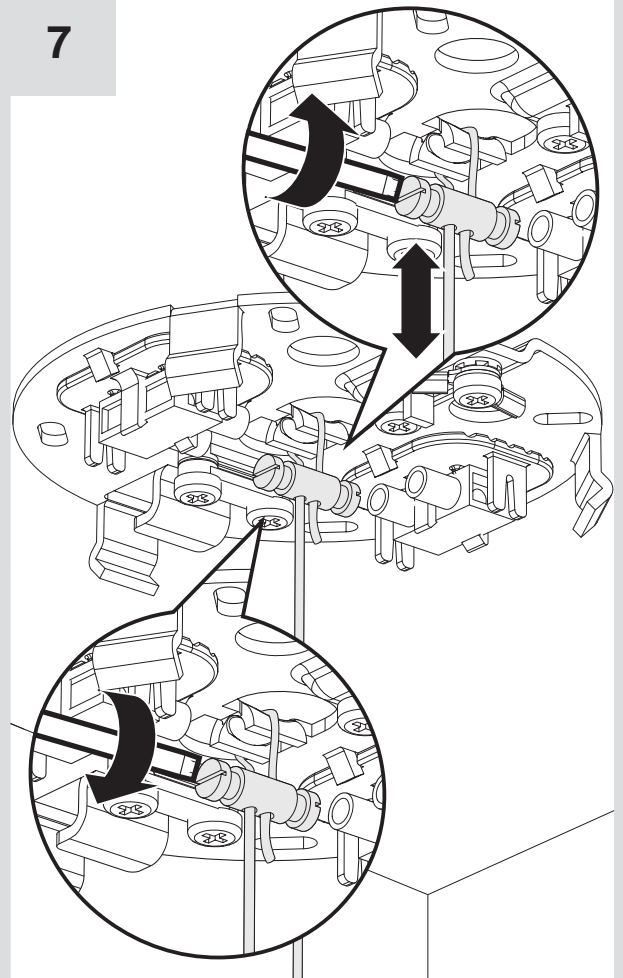
i



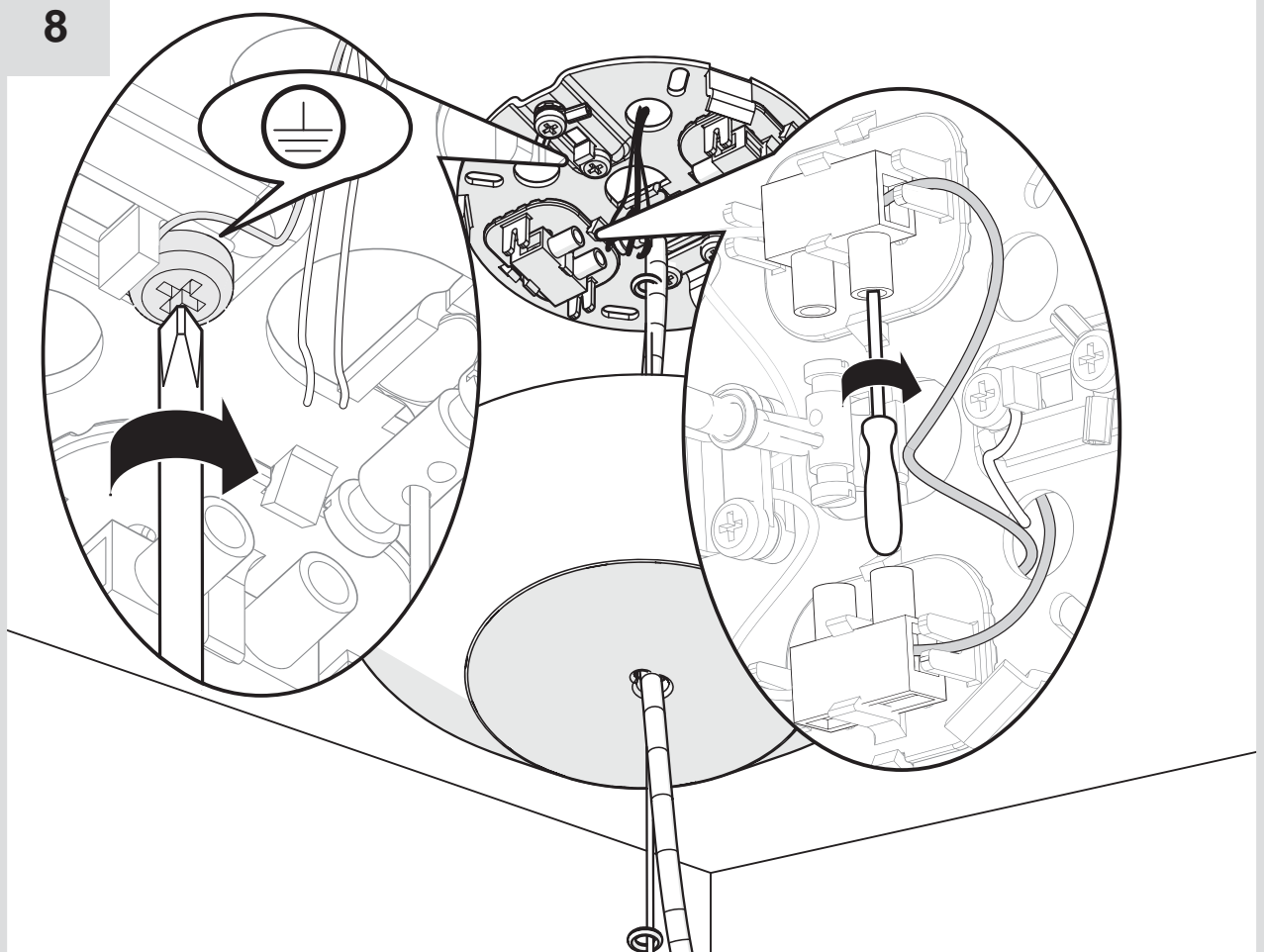




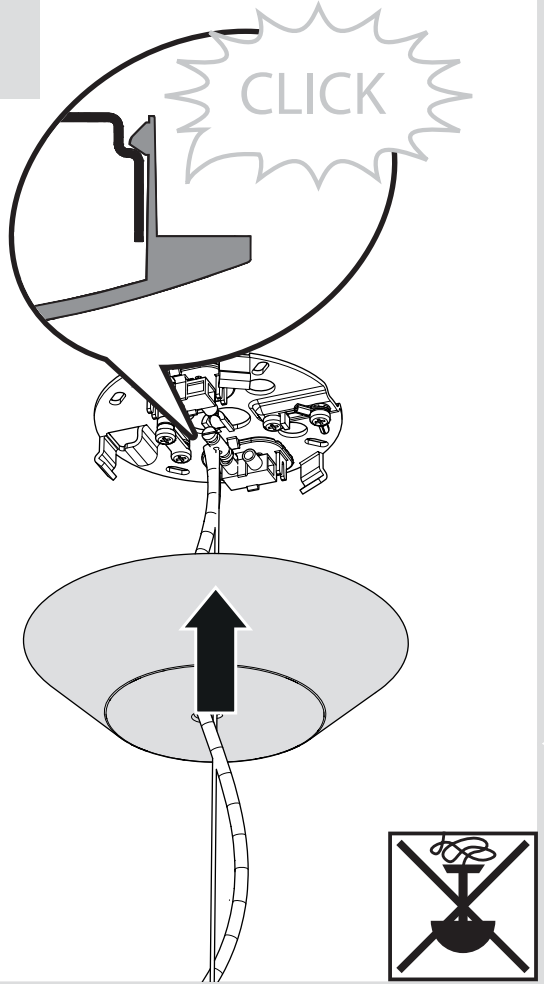
7



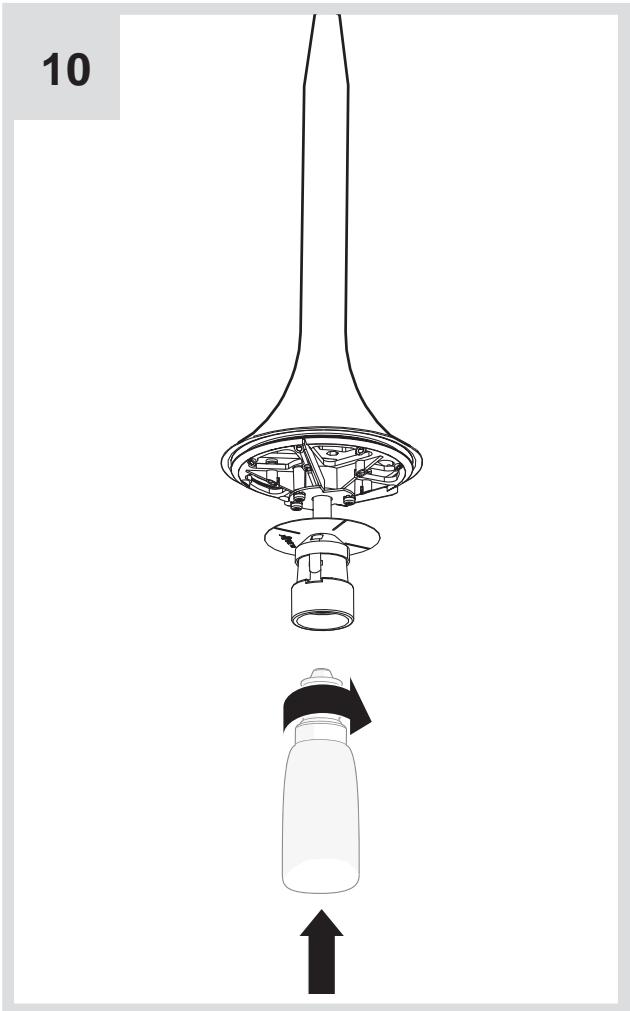
8



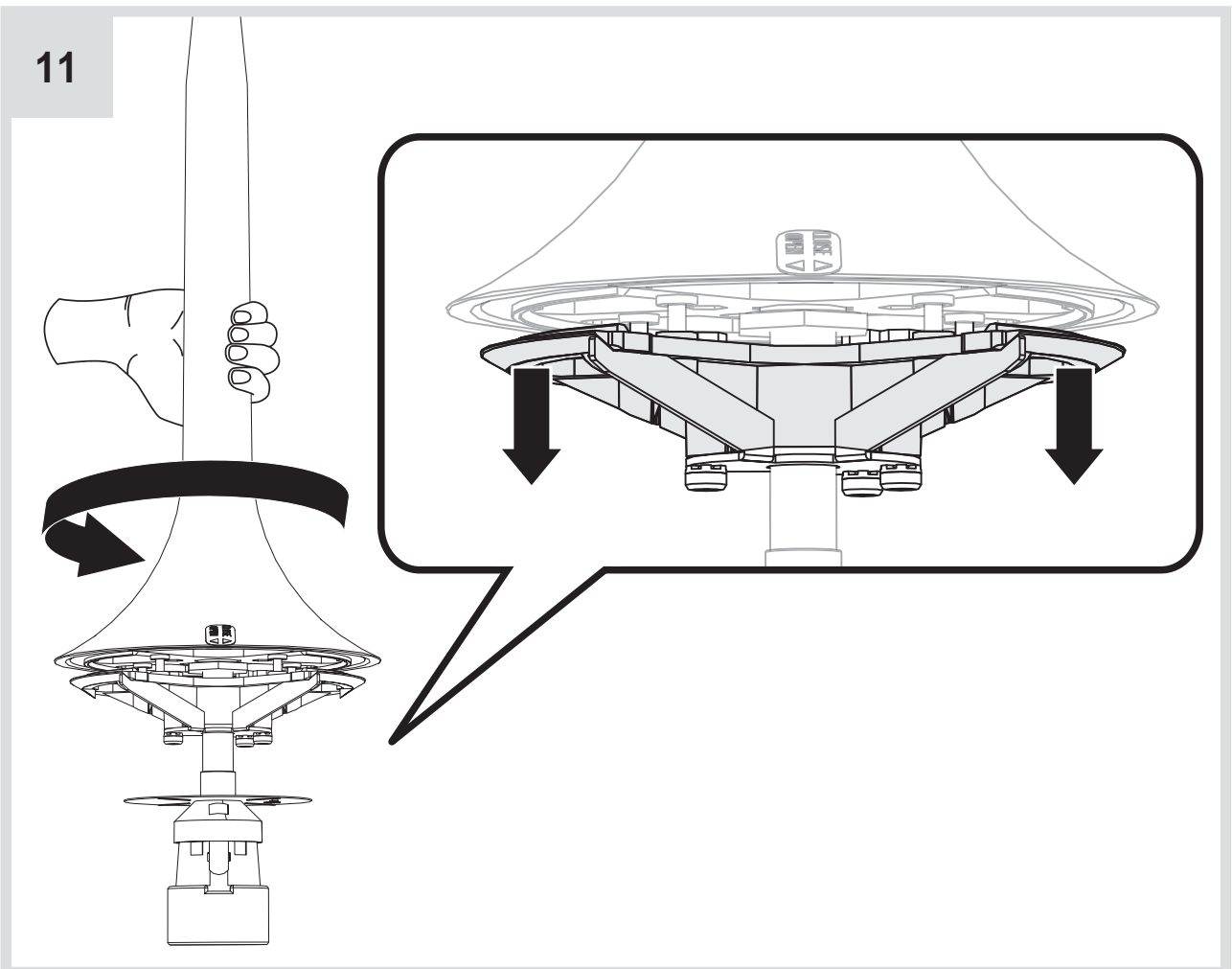
9



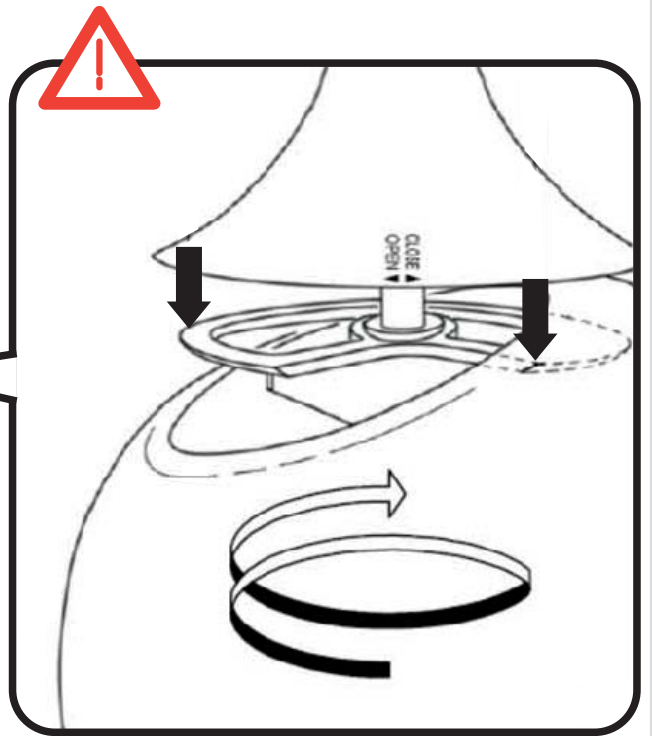
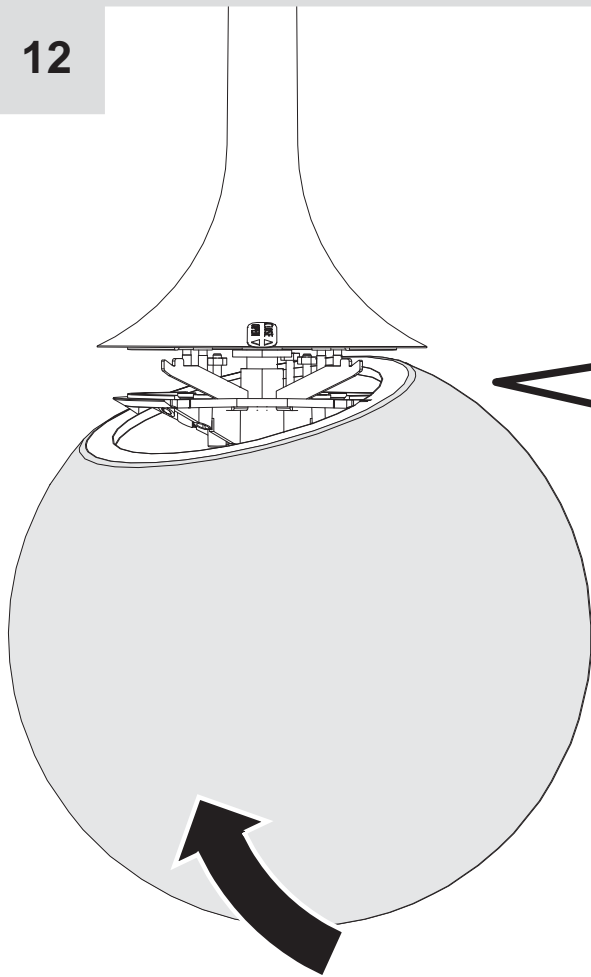
10



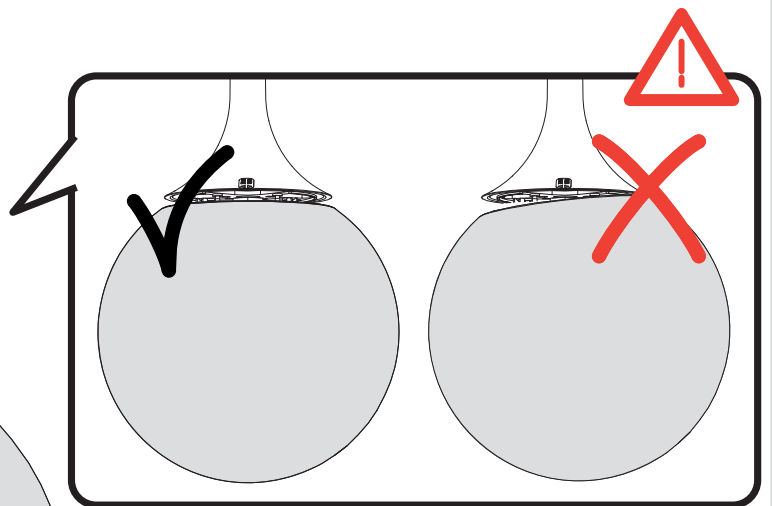
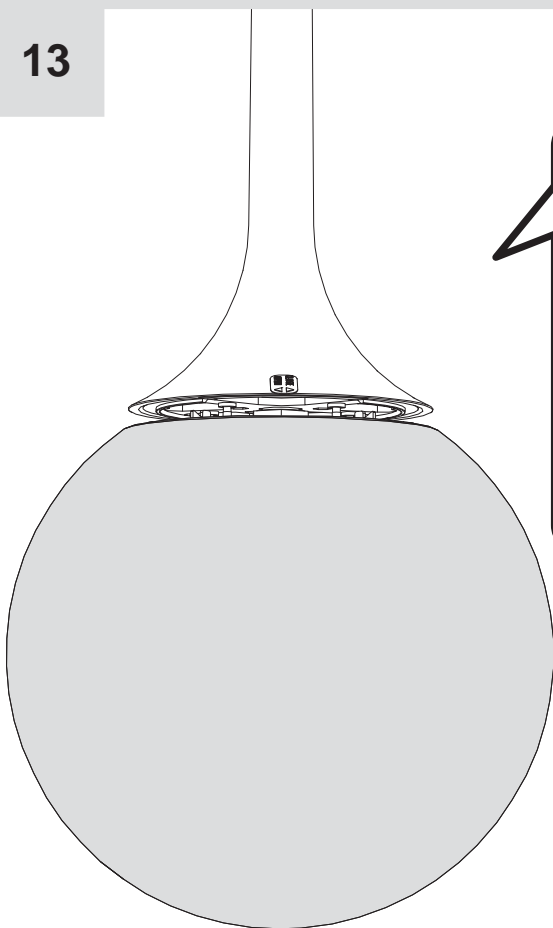
11

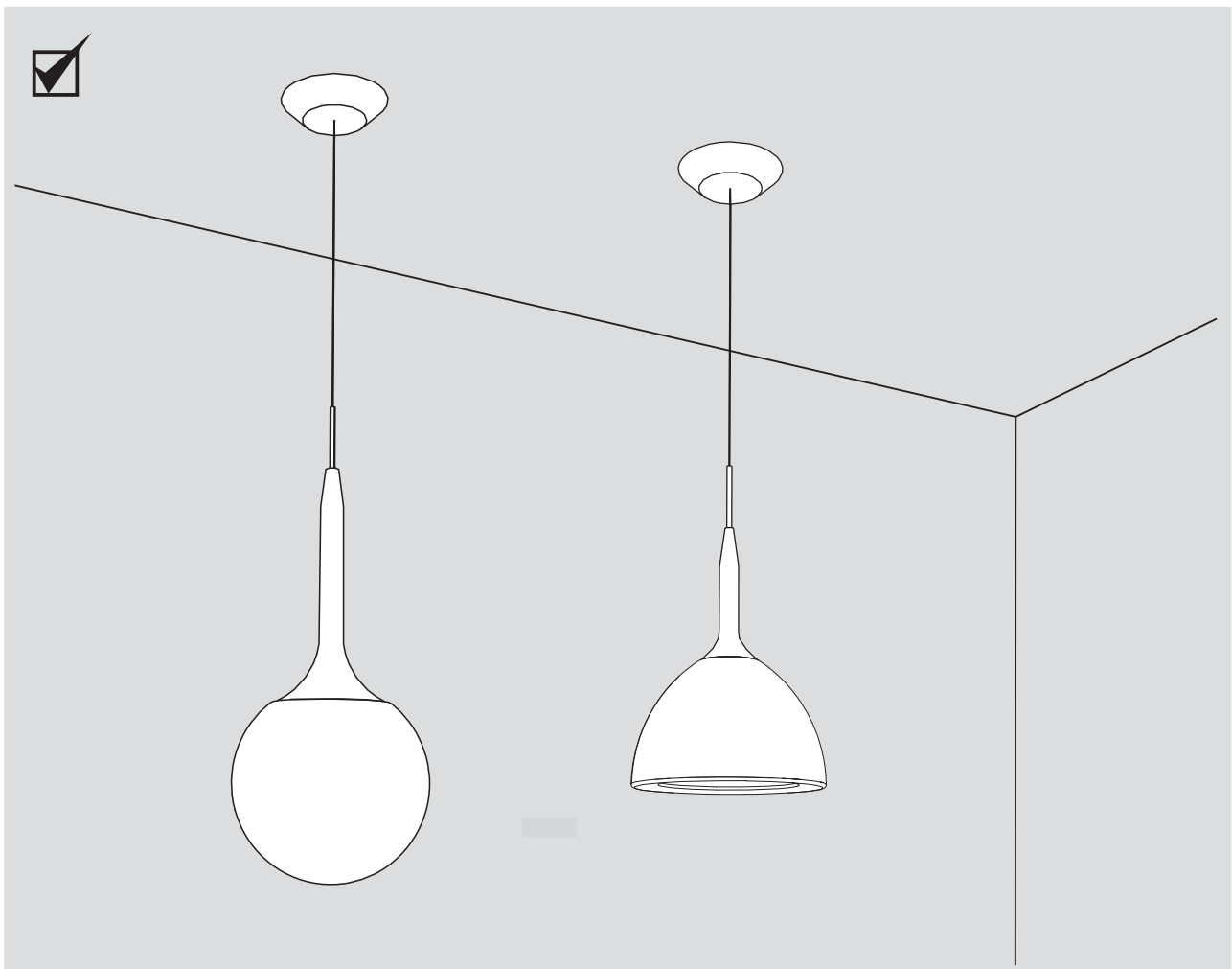
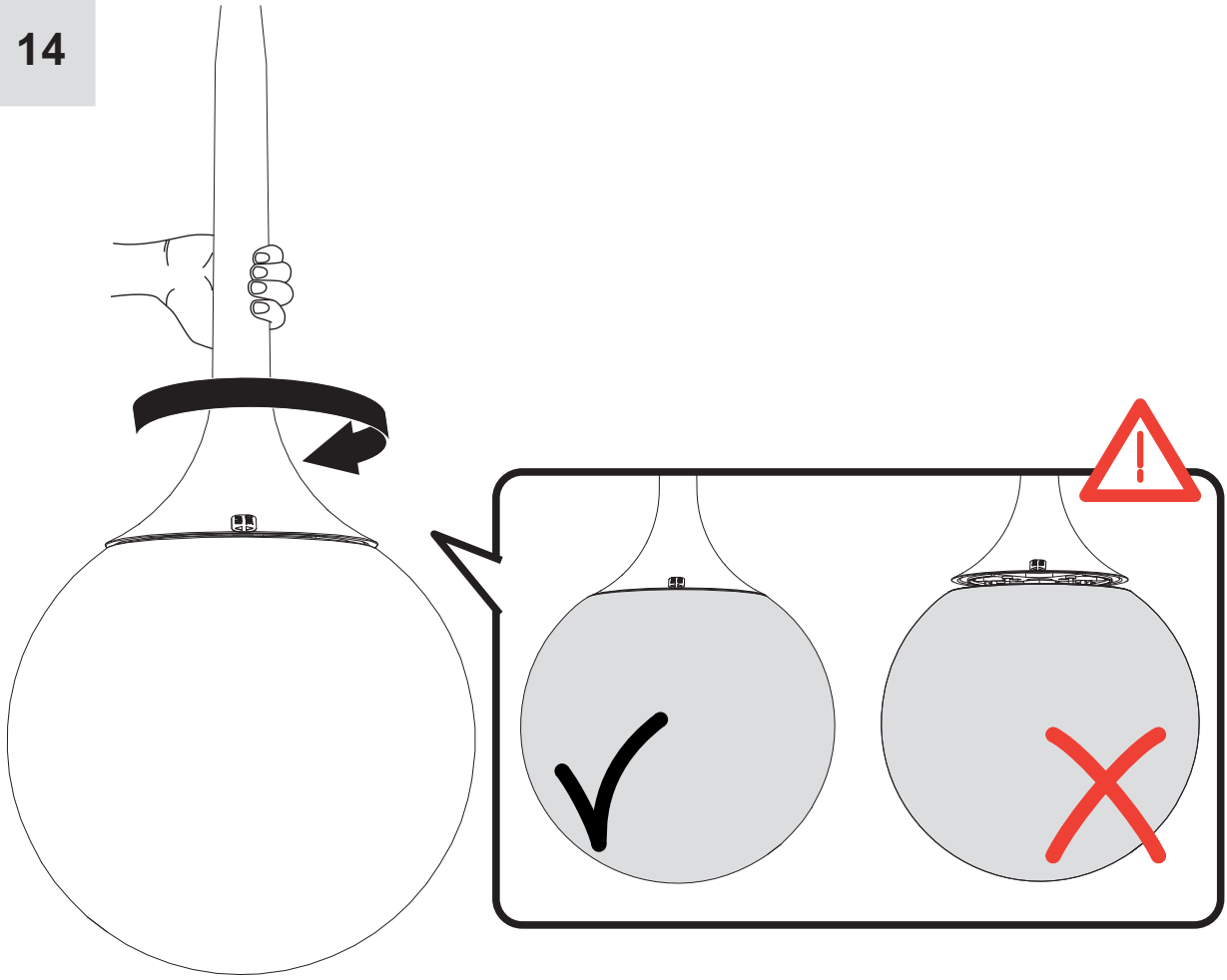


12



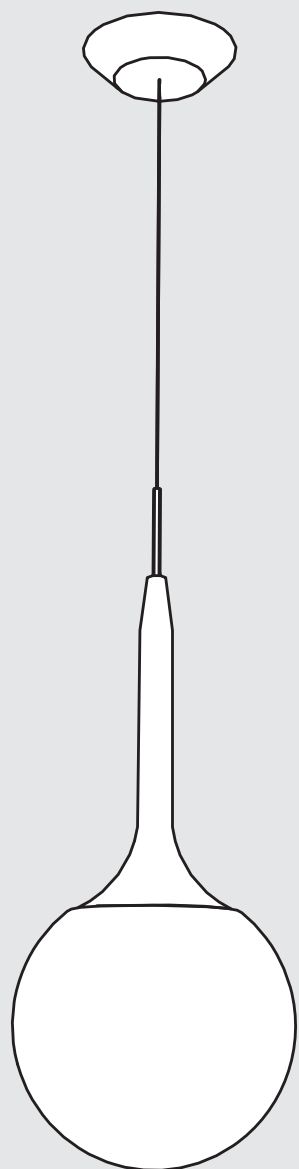
13







i



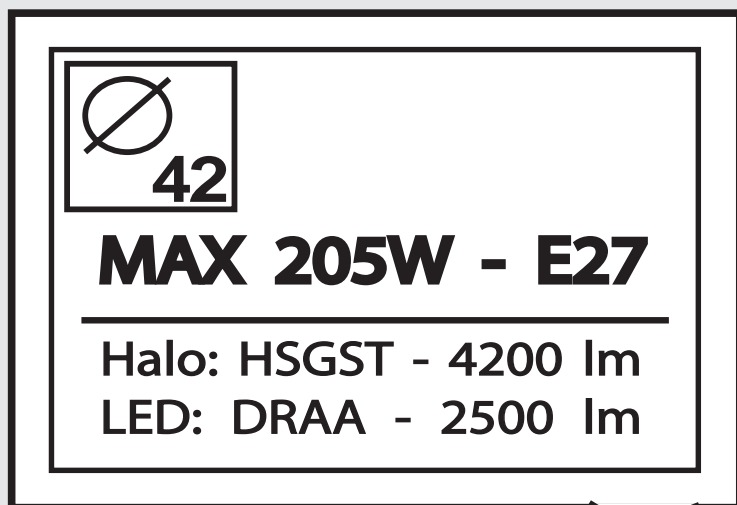
MAX 77W - E27

Halo: HSGSA - 1300 lm
LED: DRAA - 1100 lm



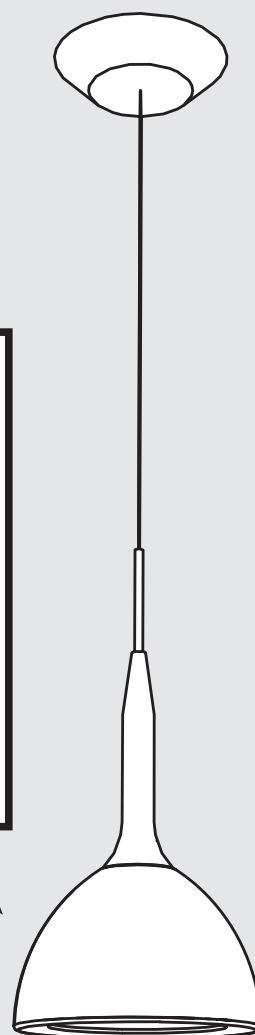
MAX 150W - E27

Halo: HSGST - 2900 lm
LED: DRAA - 2500 lm



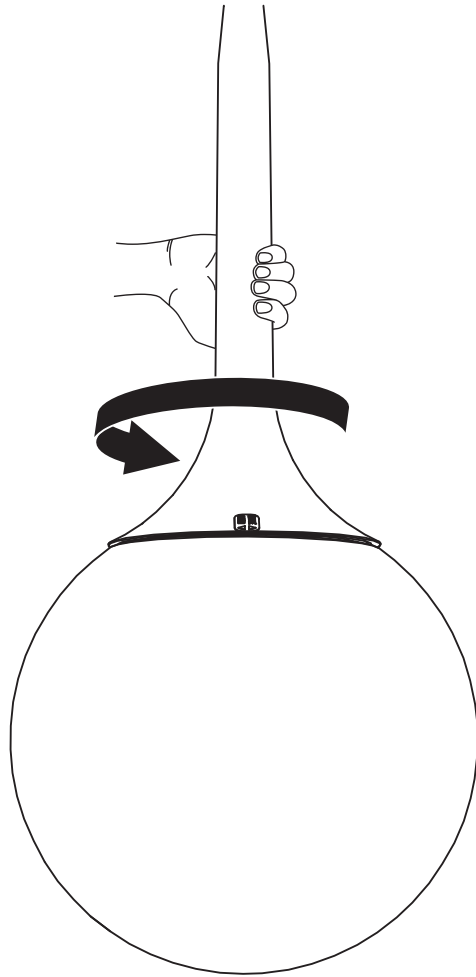
MAX 205W - E27

Halo: HSGST - 4200 lm
LED: DRAA - 2500 lm

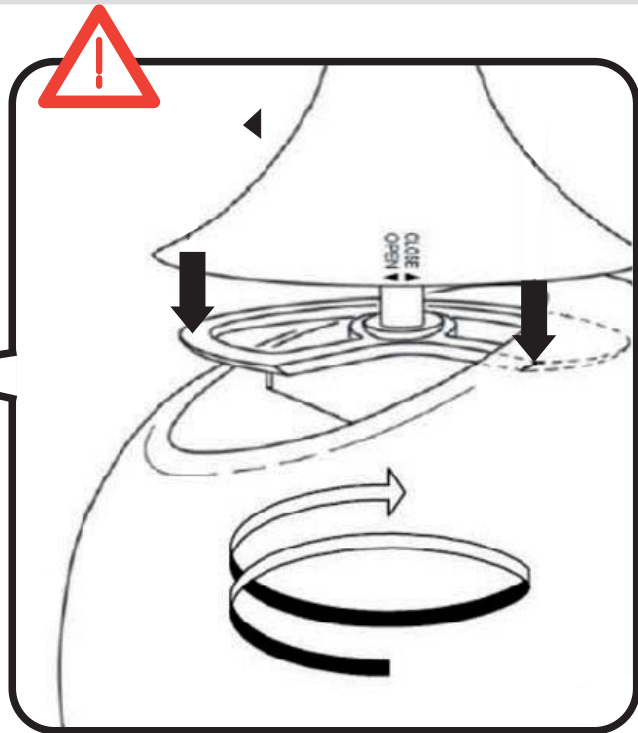
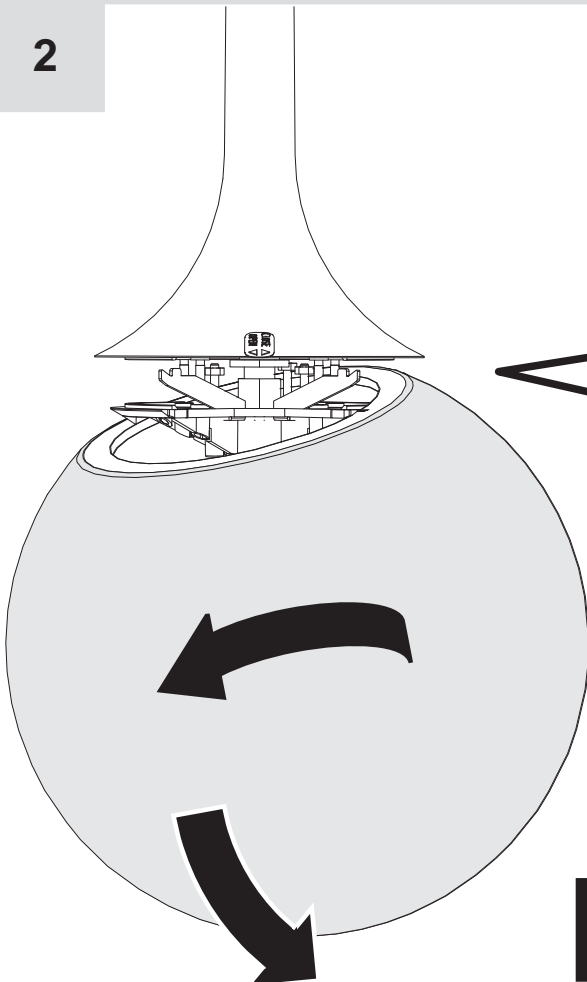




1



2

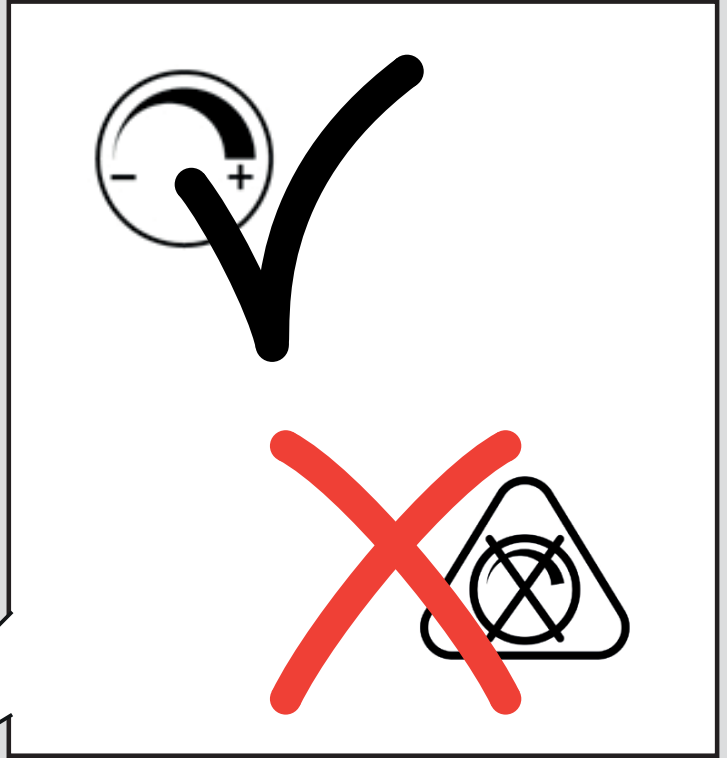
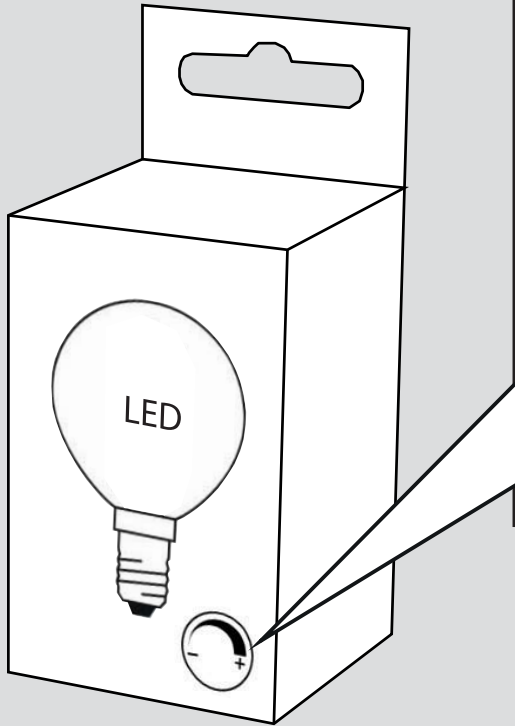


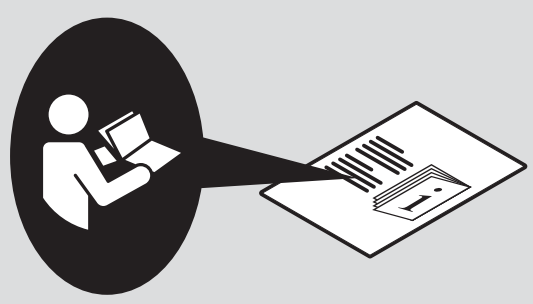
10

12

13

14





Artemide®



Artemide

via Bergamo, 18
20010 Pregnana M.se (MI)
ITALIA

tel. +39 02 935 181
fax +39 02 935 90 254
fax +39 02 935 90 496

www.artemide.com

VAT IT00846890150

cod. Y513000633