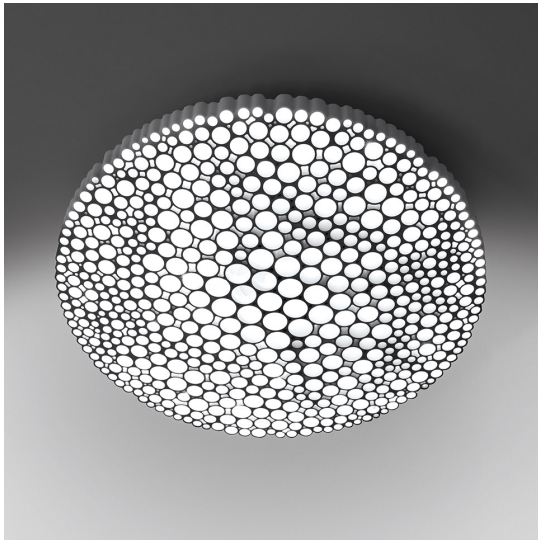
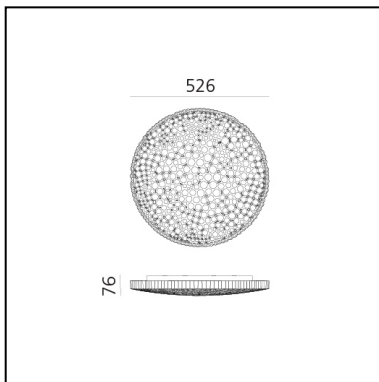


Calipso 2700K - App Compatible

Neil Poulton



IP20    Dimmerable: 



LUMINAIRE

- Watt: **50W**
- Voltage: **220-240V**
- Delivered lumen output: **4038lm**
- CCT: **2700K**
- Efficiency: **57%**
- Efficacy: **80.76lm/W**
- CRI: **90**
- Dimmable Typology: **Push & APP**

Notes

The APP driver can not be controlled by DALI dimming system and viceversa.

DESCRIPTION

The unique honeycomb grill of Calipso was generated by feeding a photo of the moon into an image-based algorithm found on a seemingly extinct computer. The resulting fractal shape, an impure geometry that displays the irregular beauty of nature, is built from an organic honeycomb of different diameter tubes, seemingly arranged in a random geometry. This honeycomb characterizes the lamp both aesthetically and optically - not only is it visually pleasing, but it also provides an even and comfortable light emission. The result is a highly emotional lighting object that joins together optical and aesthetic intelligence. A product positioned perfectly half-way between home and professional use, Calipso is suited to a variety of applications - expressing Artemide's traditional approach to deliver high performance lighting with a unique and emotional expressiveness.

FEATURES

- Product Code: **0210W10APP**
- Colour: **White**
- Installation: **CeilingWall**
- Material: **Tecnopolymer**
- Series: **Design Collection, Architectural Indoor**
- Environment: **Indoor**
- Emission: **Direct**
- design by: **Neil Poulton**

DIMENSIONS

- Width: **76 mm**
- Diameter: **526 mm**
- Glow Wire Test: **650°**

SOURCES INCLUDED

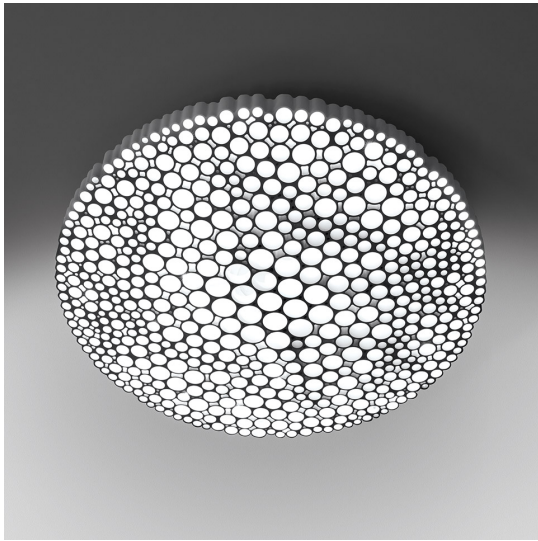
- Category: **Led**
- Number: **4**
- Watt: **10.8W**
- Delivered lumen output: **1214lm**
- Color temperature (K): **2700K**
- CRI: **90**
- Color Tolerance: **MacAdam 3SDCM**
- Efficacy: **112lm/W**
- Service Life: **50000-L70**

Accessories

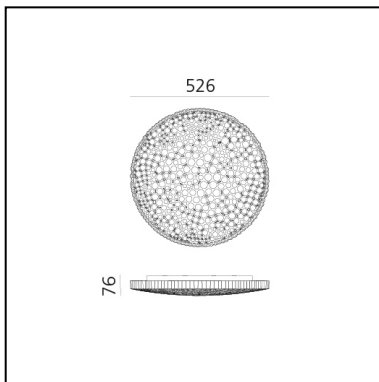
Device for switching and controlling Artemide App products. Max N.3 inputs for external push buttons. Max 1m distance. Mains power supply required. To be installed inside flush mounting boxes or junction boxes. DV1080APP

Calipso 3000K - App Compatible

Neil Poulton



IP20    Dimmerable: 



LUMINAIRE

- Watt: **50W**
- Voltage: **220-240V**
- Delivered lumen output: **4099lm**
- CCT: **3000K**
- Efficiency: **57%**
- Efficacy: **81.98lm/W**
- CRI: **90**
- Dimmable Typology: **Push & APP**

Notes

The APP driver can not be controlled by DALI dimming system and viceversa.

DESCRIPTION

The unique honeycomb grill of Calipso was generated by feeding a photo of the moon into an image-based algorithm found on a seemingly extinct computer. The resulting fractal shape, an impure geometry that displays the irregular beauty of nature, is built from an organic honeycomb of different diameter tubes, seemingly arranged in a random geometry. This honeycomb characterizes the lamp both aesthetically and optically - not only is it visually pleasing, but it also provides an even and comfortable light emission. The result is a highly emotional lighting object that joins together optical and aesthetic intelligence. A product positioned perfectly half-way between home and professional use, Calipso is suited to a variety of applications - expressing Artemide's traditional approach to deliver high performance lighting with a unique and emotional expressiveness.

FEATURES

- Product Code: **0210010APP**
- Colour: **White**
- Installation: **CeilingWall**
- Material: **Tecnopolymer**
- Series: **Design Collection, Architectural Indoor**
- Environment: **Indoor**
- Emission: **Direct**
- design by: **Neil Poulton**

DIMENSIONS

- Width: **76 mm**
- Diameter: **526 mm**
- Glow Wire Test: **650°**

SOURCES INCLUDED

- Category: **Led**
- Number: **4**
- Watt: **10.8W**
- Delivered lumen output: **1214lm**
- Color temperature (K): **3000K**
- CRI: **90**
- Color Tolerance: **MacAdam 3SDCM**
- Efficacy: **112lm/W**
- Service Life: **50000-L70**

Accessories

Device for switching and controlling Artemide App products. Max N.3 inputs for external push buttons. Max 1m distance. Mains power supply required. To be installed inside flush mounting boxes or junction boxes. DV1080APP