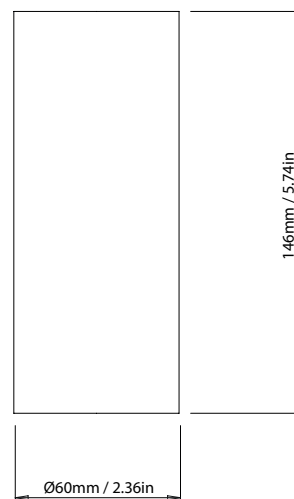
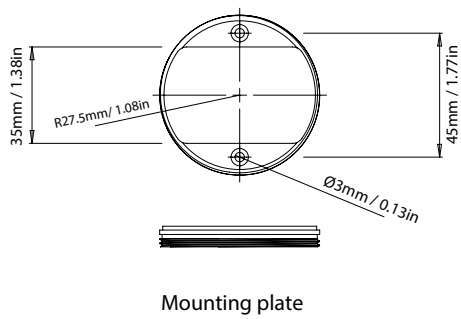


cloud fixed
origin

circular product

cloud fixed origin



circular product

erluna



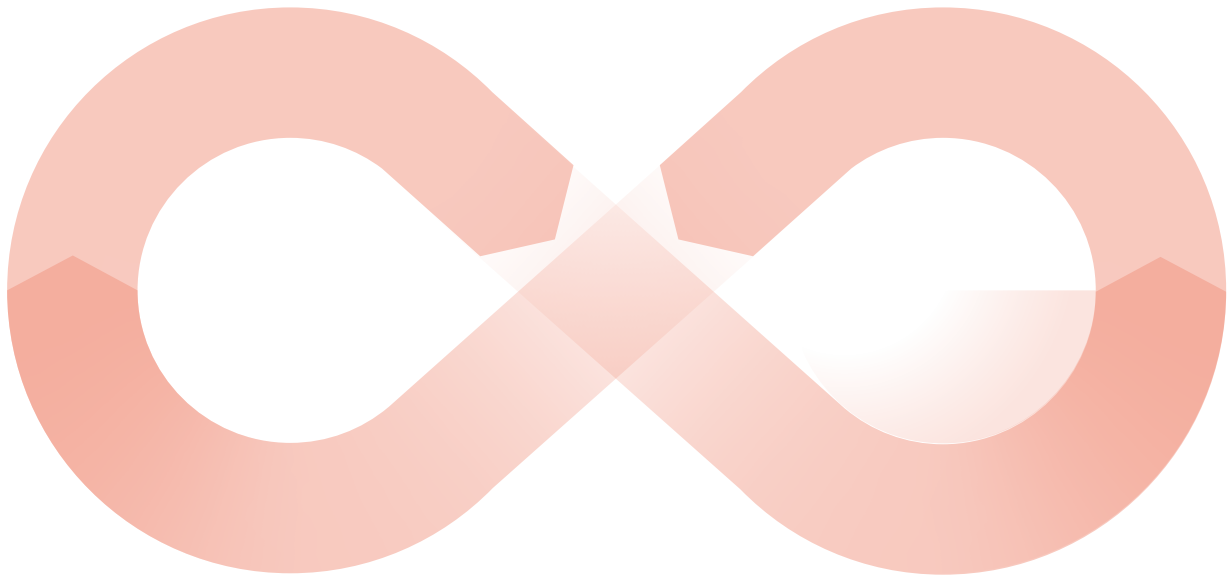
cloud fixed origin

When an old Orluna light comes to the end of its life, or is faulty, instead of throwing it away, we kindly ask you to return it to us.

1

3

The fully repaired and tested product enters back into our stock –with a brand new warranty.



The 'new' light fitting is despatched to a new customer.

4

2

Once we've received the unwanted or faulty fitting, it's dismantled, repaired and renewed with a new LED and PCB.



circular product

orluna



cloud fixed origin

circular product

		2700K									
		SPOT			SOFT				SPECIALITY		
LIGHT VALUES		Ultra	Spot	Narrow	Medium	Wide	Flood	Wash	Crisp	Linear	
	Beam Width FWHM	8°	10°	14°	31°	43°	48°	56°	34°	10x45°	
	Initial Lumens	769	1218	1423	1423	1423	1423	1423	1423	1218	
	Engine Lumens	272	453	497	1118	1158	1104	1115	1155	402	
	Luminaire Lumens	269	399	476	810	838	814	756	925	320	
	Engine Lm/W	38	36	42	94	97	93	94	97	32	
	Luminaire Cd	7908	9614	6816	2210	1534	1248	919	2499	788	
POWER	Voltage	36V	36V	34V				36V			
	Drive Current	200mA	350mA	350mA				350mA			
	Circuit Power (typ)	8.6W	14.2W	13.5W				14.2W			

		3000K									
		SPOT			SOFT				SPECIALITY		
LIGHT VALUES		Ultra	Spot	Narrow	Medium	Wide	Flood	Wash	Crisp	Linear	
	Beam Width FWHM	8°	10°	14°	30°	43°	48°	56°	33°	10x45°	
	Initial Lumens	823	1308	1518	1518	1518	1518	1518	1518	1308	
	Engine Lumens	291	483	527	1189	1232	1174	1184	1226	427	
	Luminaire Lumens	287	438	508	867	897	887	809	989	340	
	Engine Lm/W	40	38	44	100	104	99	99	103	34	
	Luminaire Cd	8925	11033	7340	2394	1658	1377	995	2781	838	
POWER	Voltage	36V	36V	34V				36V			
	Drive Current	200mA	350mA	350mA				350mA			
	Circuit Power (typ)	8.6W	14.2W	13.5W				14.2W			

Binning SDCM (Hot)	2
CRI (typ)(R9)	98 (99)
TM30 Rf Rg	Rf 93.8 Rg 101.9
Lifetime (TM21)	L90 B5 50,000hrs (inc driver)
Lifetime (Calculated)	L70 426,000hrs
Protocols	Mains Dim / DALI / 0-10V / Non-dim
Dim to Dark	0.1% Lux
Distance from LED	20m / 65' (series wiring)
Emergency	Emergency packs available

SPECIFICATION CODE

Engine type	Bezel	Colour Temp	Driver	Beam Width	Bezel Colour	Baffle Colour	Options
OR	CF	27	M	M	W	BB	54 K
		27 / 2700K 30 / 3000K	M / Mains Dim D / DALI 0 / 0-10v N / Non Dim X / No Driver	U / Ultra S / Spot N / Narrow M / Medium W / Wide F / Flood H / Wash C / Crisp L / Elliptical Linear	W / White RAL 9010 D / White RAL 9003 B / Black RAL 9005 C / Other RAL A / Black Anodised J / Antique Bronze G / Polished Brass K / Brushed Chrome L / Polished Chrome F / Satin Grey P / Brushed Brass Z / Other Metallic	BB / Black 9005 WB / White 9010 DB / White 9003 CB / Other RAL AB / Black Anodised JB / Antique Bronze MB / Polished Brass KB / Brushed Chrome LB / Polished Chrome FB / Satin Grey PB / Brushed Brass ZB / Other Metallic	54 / IP54 C / Constant Torsion Spring H / Honeycomb N / Frosted Lens F- / 60 minute fire rating (hood) K / Click Connector Y5 / 5m cable Y / 10m cable

24/03/23

