

FLOS

F3180009 White

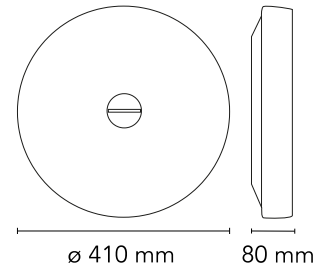
Button

Designed by Piero Lissoni, 2004



Fluorescent - 2 x 22+40W

Indoor and outdoor wall/ceiling lamp providing diffused light. Slightly opaline (PC opal), injection-molded polycarbonate diffuser. Closure screw/diffuser support in die-cast and handpolished aluminum alloy protected with liquid transparent paint. The wall attachment is slightly, injection-molded polycarbonate. The light bulb support is 30% glass fiberreinforced nylon, injection molded and matte white. Silicone elastomer dust and waterproof seals.



Are you a professional and your project needs consulting and support?

BOOK AN APPOINTMENT

Main specifications

EAN	8059607018859
Mounting	Ceiling and wall surface
Environments	Indoor dry location
Light Source Type	Bulb
Lamp category	Fluorescent
Lamp holders	2GX13
Icos	FSC
Number of heads	2
Power (W)	22+40

Physical

Colour	White
Net weight (kg)	2.15
Package height (mm)	100
Package width (mm)	420
Package length (mm)	430
Package volume (m3)	0.02
IP internal	44

Download

Mounting instructions [↓ PDF](#)

Spare Parts [↓ PDF](#)

Photometric Files

LDT / IES [↓ ZIP](#)

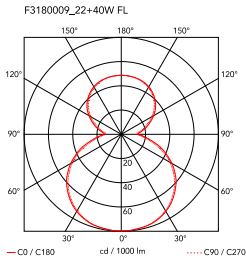
Technical Drawings

2D [↓ ZIP](#)

3D [↓ ZIP](#)



Schematic light drawing



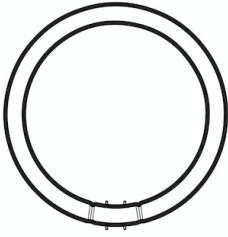
Photometric

Lighting type	Total
Light distribution	Roto symmetric

Electrical

Insulation class	II
Frequency (Hz)	50/60
Main voltage (Vac)	220-240
LED voltage Vf (Vdc)	null
Driver	Integrated
Dimmable	No
Dimming type	Non Dimmable
Dimming interface	Not Dimmable
Batteries inside	No
Charging min time	No

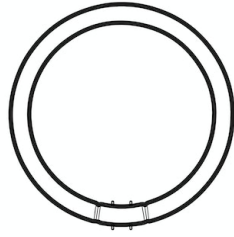
Bulbs



NOT INCLUDED

RF11177

Circular Fluorescent Lamp 2GX13
22W 3000K T5 Dimmable



NOT INCLUDED

RF11178

Circular Fluorescent Lamp 2GX13
40W 3000K T6 Dimmable

Spare Parts



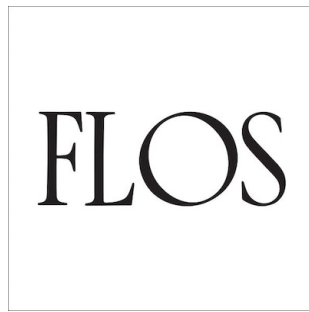
- | | | |
|-----|-----------------------------|-----------|
| 01. | Chrome locking cap assembly | RF3180100 |
| 02. | non c'è - BUTTON FL | RF20194 |
| 03. | Lamp holder | RF10722 |
| 04. | non c'è - BUTTON FL | RF21737 |
| 05. | non c'è - BUTTON FL | RF3180300 |

DOWNLOAD



RF3180100

Chrome locking cap assembly



RF20194

non c'è - BUTTON FL



RF10722

Lamp holder



RF21737

non c'è - BUTTON FL



RF3180300

non c'e - BUTTON FL

FLOS

F3190009 White

Button HL

Designed by Piero Lissoni, 2004

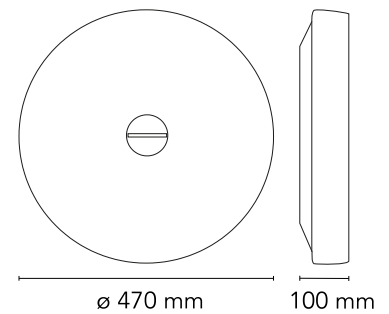


Halogen - 5 x 40W

Wall/ceiling fixture providing diffused lighting for indoor use. Hand-blown opal ply glass diffuser (transparent □ opal □ transparent) with acid finish. Sheared, deep-drawn steel sheet wall/ceiling attachment with white galvanized finish. Sheared, deep-drawn steel sheet reflector painted white for high temperatures. Closing cover in injection molded tecnopolymer with chrome finish. Satin-finish incandescent line voltage halogen lamps.

Are you a professional and your project needs consulting and support?

BOOK AN APPOINTMENT



Main specifications

EAN	8059607018866
Mounting	Ceiling and wall surface
Environments	Indoor dry location
Light Source Type	Bulb
Lamp category	Halogen
Lamp holders	G9
Iicos	HSGS
Number of heads	5
Power (W)	40

Physical

Colour	White
Net weight (kg)	7
Package height (mm)	175
Package width (mm)	555
Package length (mm)	555
Package volume (m3)	0.05
IP internal	40

Download

Mounting instructions [↓ PDF](#)

Spare Parts [↓ PDF](#)

Photometric Files

LDT / IES [↓ ZIP](#)

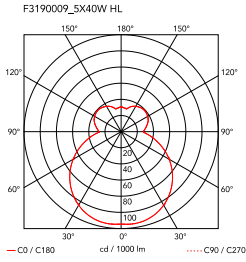
Technical Drawings

2D [↓ ZIP](#)

3D [↓ ZIP](#)



Schematic light drawing



Photometric

Lighting type	Total
Light distribution	Roto symmetric

Electrical

Insulation class	I
Frequency (Hz)	50/60
Main voltage (Vac)	220-250
LED voltage Vf (Vdc)	null
Dimmable	Yes
Dimming interface	Remote Dimmable (Dimmer Not Included)
Batteries inside	No
Charging min time	No

Bulbs



NOT INCLUDED

RF28425

LED BiPin Lamp G9 3W 2700K
Non Dimmable

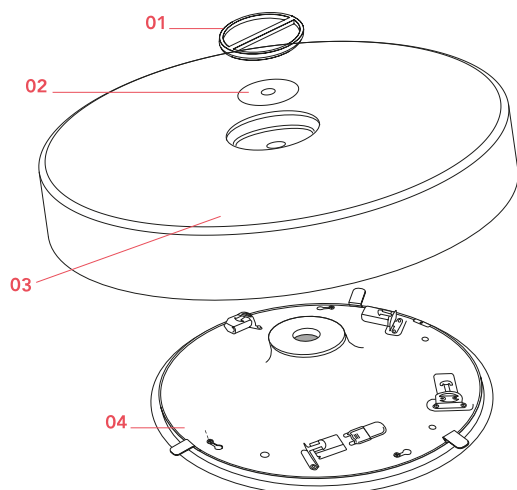


NOT INCLUDED

RF26520

LED Lamp 2W 240lm G9 220-
240 2700K T13 Non Dimmable

Spare Parts



- | | | |
|-----|---|-----------|
| 01. | Chrome locking cap assembly | RF3190100 |
| 03. | non c'e - BUTTON HL (PER VECCHIA VERSIONE NON COMPATIBILE CON QUELLE ATTUALI) | RF3190200 |
| 03. | Opal glass diffuser for new version | RF3190300 |

DOWNLOAD



RF3190100

Chrome locking cap assembly



RF3190200

non c'e - BUTTON HL (PER
VECCHIA VERSIONE NON
COMPATIBILE CON QUELLE
ATTUALI)



RF3190300

Opal glass diffuser for new
version