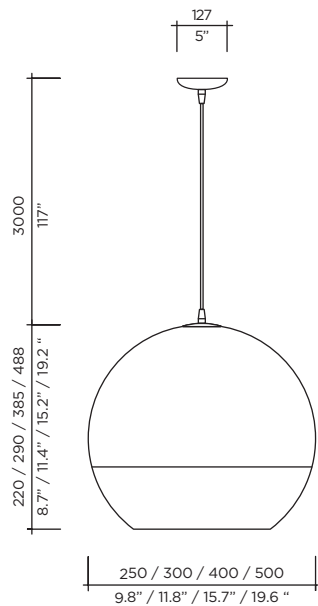




VISO LIGHTING

BOLIO SPECS



METALLIC FINISHES



	BM	SM	MM	GM
Lbs	3	4	7	9
Kg	1.4	1.8	3.2	4.1



Model	Bolio Suspension
Size	250, 300, 400, 500
Ref. #	BM.07.120_ _ SM.07.120_ _ MM.07.121_ _ GM.07.122_ _
Bulb	E26 / E27 (120V/220V) 1 x 40W max (250 only) 1 x 60W max (300 only) 1 x 75W max (400, 500) Incandescent
	1 x 40W equivalent 1 x 60W equivalent 1 x 75W equivalent