

BUSTER + PUNCH

LONDON

[product.

EXHAUST / SPOT / GRAPHITE / CROSS

[type. **PENDANT SPOTLIGHT.**]

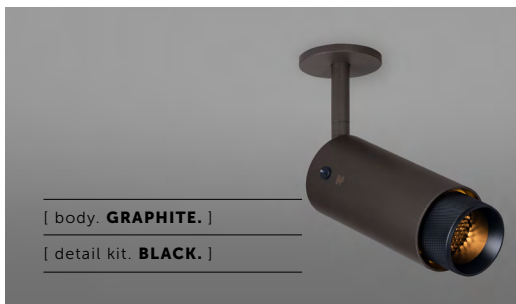
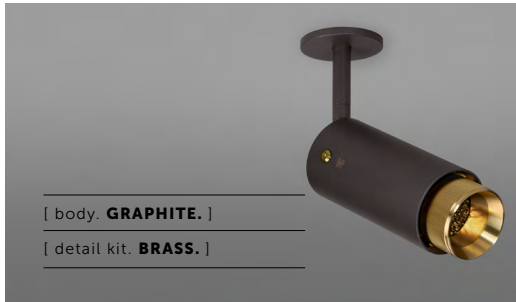
[knurl. **CROSS.**]

[detail. **COIN SCREW.**]

[region. **ROW.**]

[fyi. ***CEILING ROSE EXTENDER INCLUDED, FOR
INSTALLATION TO EXPOSED CABLING.**]

An adjustable spotlight with a powder coated metal body and solid metal detailing. The spotlight features our signature cross-knurl baffle and machined coin screws, both made from solid metal. The baffle captures light and creates a delicate metallic glow, whilst a honeycomb filter emits a precise, non-glare, directional spotlight. This spotlight fits a GU10 bulb.



BUSTER + PUNCH

LONDON

[product.]

EXHAUST / SPOT / STONE / CROSS

[type. **ADJUSTABLE SPOTLIGHT.**]

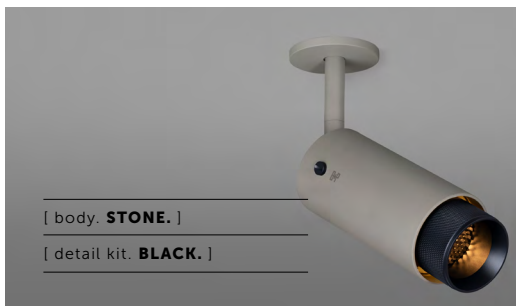
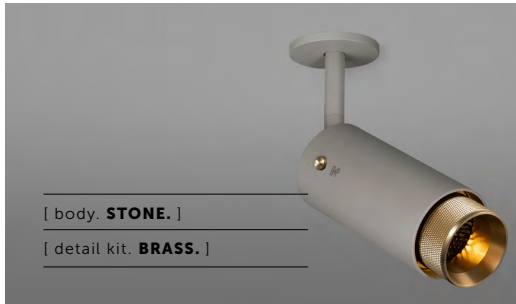
[knurl. **CROSS.**]

[detail. **COIN SCREW.**]

[region. **ROW.**]

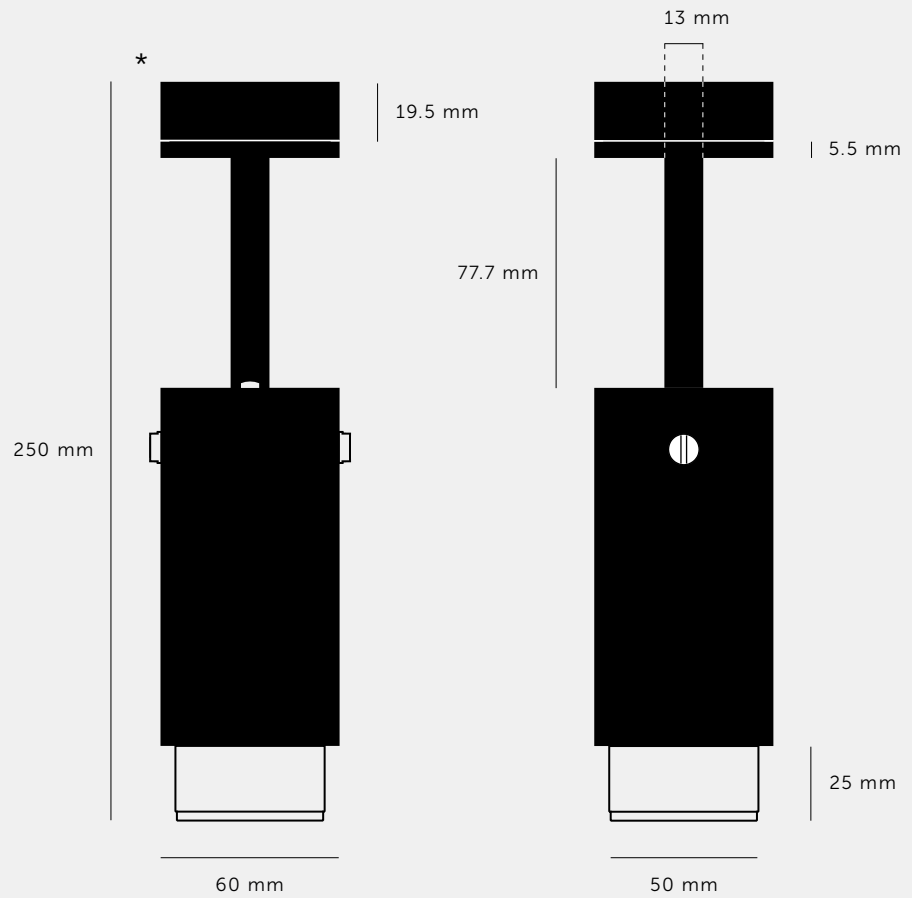
[fyi. ***CEILING ROSE EXTENDER INCLUDED, FOR
INSTALLATION TO EXPOSED CABLING.**]

An adjustable spotlight with a powder coated metal body and solid metal detailing. The spotlight features our signature cross-knurl baffle and machined coin screws, both made from solid metal. The baffle captures light and creates a delicate metallic glow, whilst a honeycomb filter emits a precise, non-glare, directional spotlight. This spotlight fits a GU10 bulb.



[type. **ADJUSTABLE SPOTLIGHT.**]

[info. **MEASUREMENTS.**]



[info. **SPECIFICATIONS.**]

Adjustable spotlight

GU10 / 220-240VAC / IP20

Max 1 x 9W LED GU10 bulb

***Bulb sold separately**

CB certified / Class 1

[info. **FINISH & SKU NUMBERS.**]

[body. **FINISH.**]

● Graphite

● Stone

[sku.]

RBB-17691

RBB-21692

[detail kit. **FINISH.**]

● Steel

● Brass

● Smoked Bronze

● Black

[sku.]

UEDK-073523

UEDK-053522

UEDK-453524

UEDK-023534

[info. **CARE INSTRUCTIONS.**]

Wipe with damp cloth with no loose hairs, avoid using any chemicals. Please note all finishes are prone to aging.

[info. **ALSO INCLUDED.**]

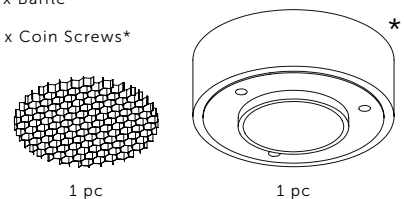
1 x Honeycomb Filter

1 x Ceiling rose extender*

* The following come in separate boxes:

1 x Baffle*

2 x Coin Screws*



1 pc

1 pc

1 pc

2 pcs