

BROKIS®

# BONBORI WALL

CM14128

UP - PC1251



### COMPONENTS INCLUDED WITH UNIT:

1x glass shade  
1x diffuser  
1x body  
1x wall bracket  
1x hex key size 2  
1x set screw M4x4  
3x set screw with partial thread M4x16  
3x allen screw M6x25  
3x plastic grommet  
1x set screw M4x6  
1x cotton gloves  
1x installation manual

### WARNING:

**The manufacturer assumes no liability for damage resulting from incorrect assembly. When unpacking the light, do so with regard for its material composition – the main components are made of glass.**

**Wear the cotton gloves included with the light when unpacking and assembling it.**

**Installation time: 60 minutes / 2 persons**



BROKIS®

BROKIS S.R.O.  
ŠPANIĚLOVA 1315/25  
163 00 PRAHA 6 - ŘEPY  
CZECH REPUBLIC

ORG. ID 64940799  
VAT ID CZ64940799  
C 42174 MĚSTSKÝ SOUD  
V PRAZE

TEL +420 567 211 517  
TECHNICAL@BROKIS.CZ  
INFO@BROKIS.CZ  
WWW.BROKIS.CZ



### CLEANING THE GLASS:

**BROKIS upholds only the highest possible quality standards. Prior to shipping, the light undergoes several quality controls and stages of cleaning. Because transportation, storage, and the amount of time that passes between packing at our plant and subsequent unpacking by the client can affect the light in different ways, we strongly recommend cleaning it prior to assembly.**

**The glass must first be rinsed in warm water, and a dish detergent may be used to remove all foreign particles, dust, and grease. Repeat the process if necessary and then dry the glass thoroughly with a paper towel.**

**Recommendation: Do not use mineral spirits, highly concentrated thinners, or other substances not intended for use on glass surfaces. Do not use any cleaning agents containing silicone, as they may leave a film and attract dust and smudges.**

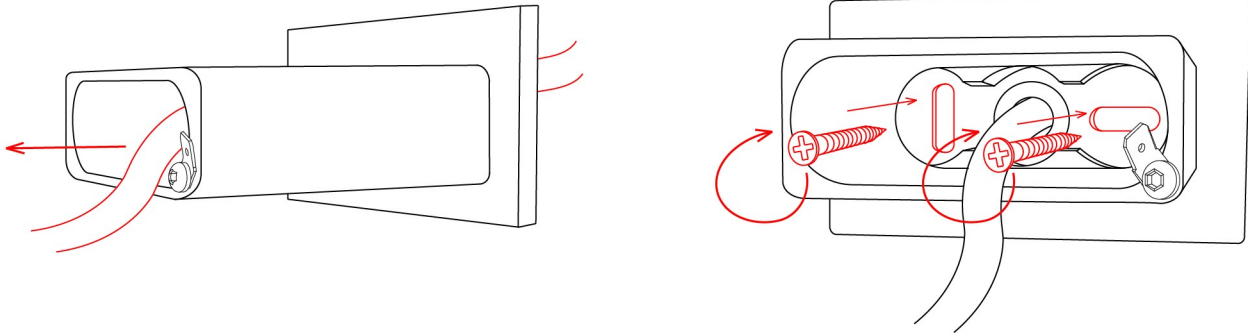
**PRIOR TO SHIPPING, THE FUNCTIONALITY OF EACH LIGHT AND ITS COMPONENTS IS CHECKED THOROUGHLY. THE MANUFACTURER ASSUMES NO LIABILITY FOR THE MISHANDLING OF PRODUCTS.**



## 1. INSTALLING THE WALL BRACKET

Use anchors of sufficient strength only (not included). With regard for various types and conditions of wall materials, we recommend consulting installation with an expert. The manufacturer assumes no liability for incorrect installation or defects in the material to which the bracket is secured.

Pass the building wire through the grommet in the wall bracket and secure the bracket to the wall with the ground screw eyelet facing down.

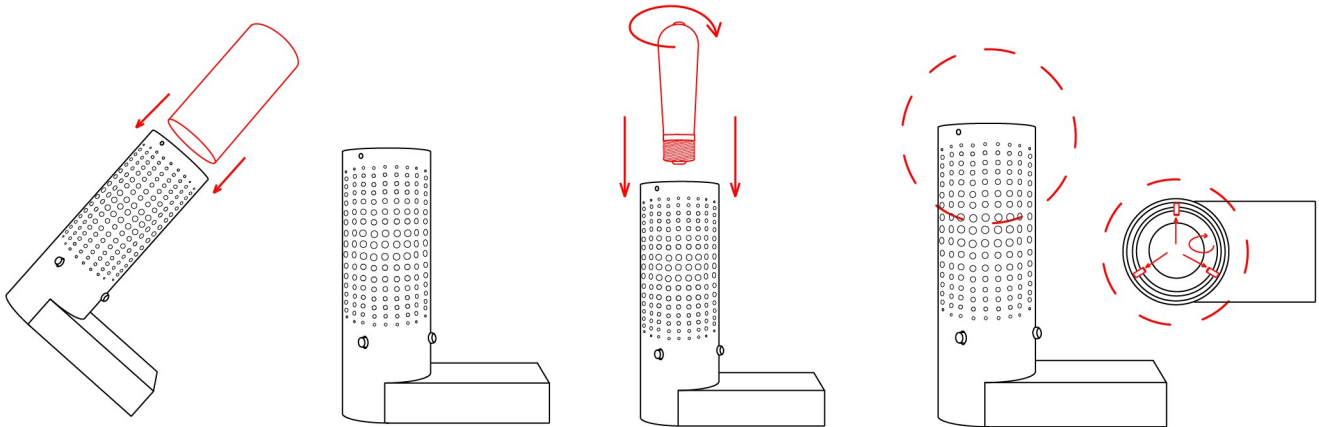


## 2. ASSEMBLING THE LIGHT AND INSTALLING THE LIGHT SOURCE 1/3

Insert the diffuser into the body of the light. Tilt the body first to prevent damage to the diffuser and then return to it to the upright position.

Install the light source.

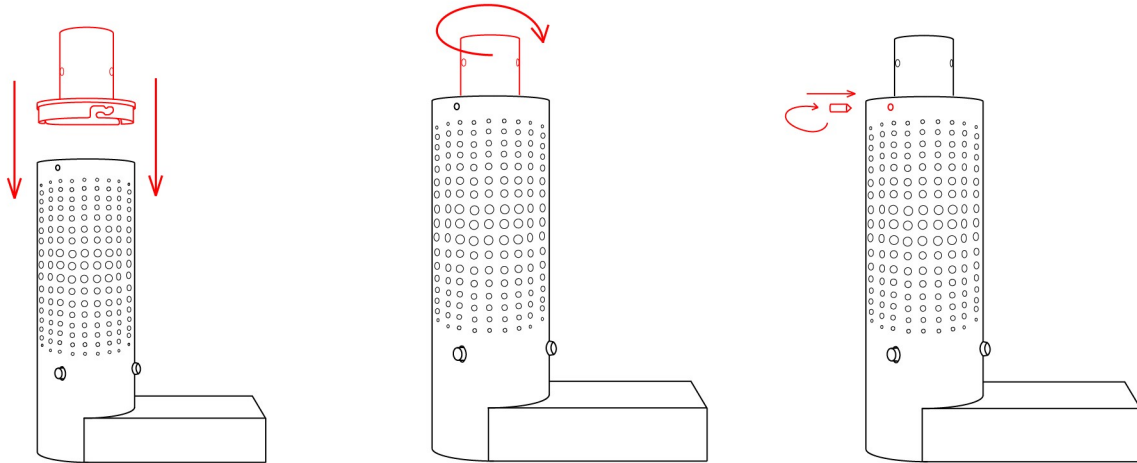
Install the set screw (3pcs/M4x16) from inside the body so that they are flush with the outer surface.



### 3. ASSEMBLING THE LIGHT AND INSTALLING THE LIGHT SOURCE 2/2

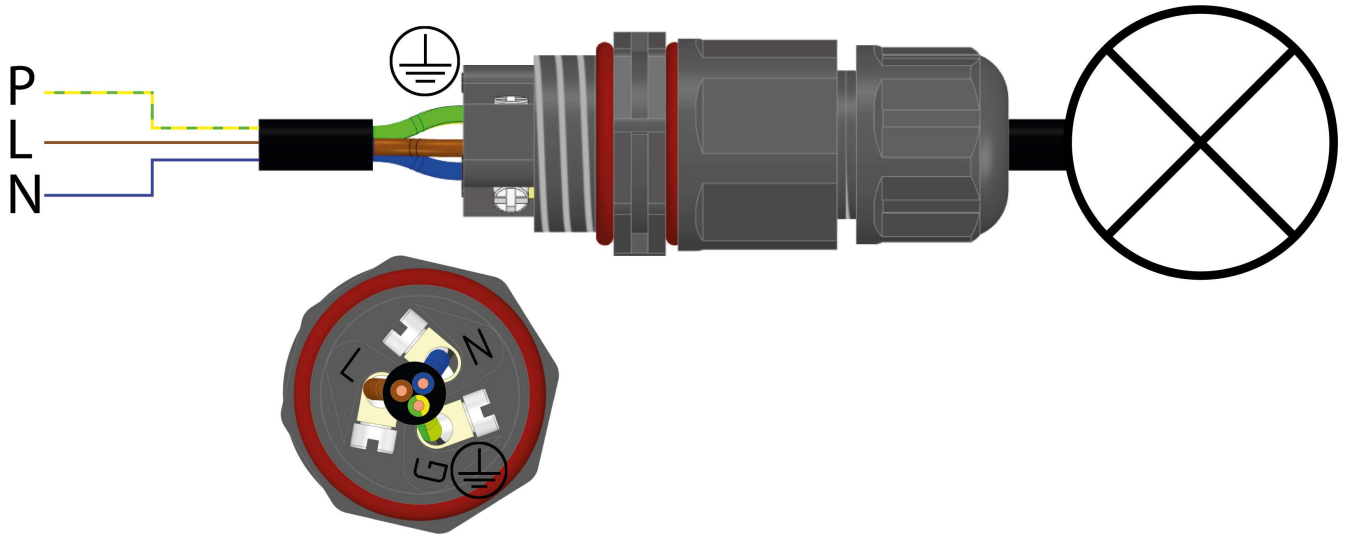
Position the upper section of the light on the set screws (M4x16) and turn to lock in place.

Install the set screw (M4x4) in the upper section to prevent it from turning.



#### 4. CONNECTING THE LIGHT TO THE BUILDING WIRING

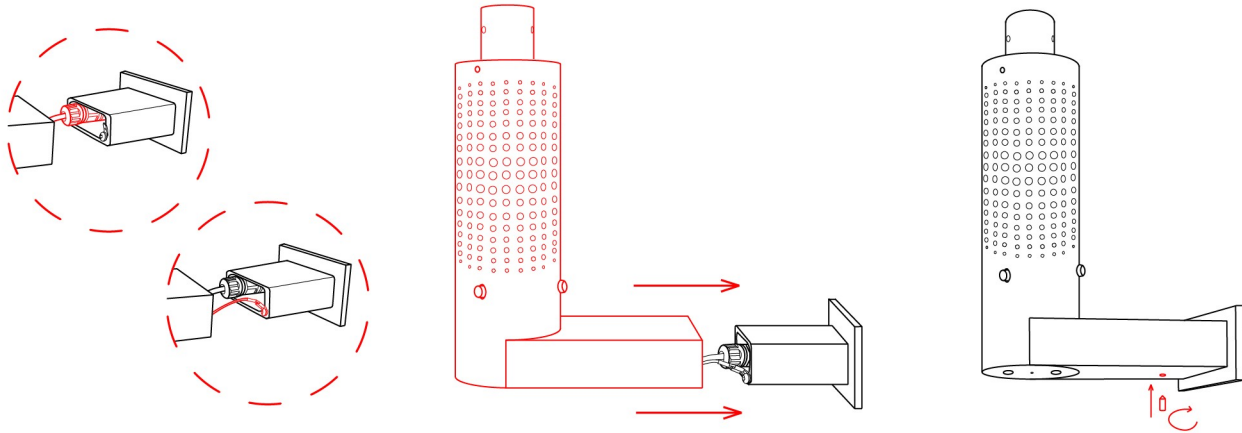
Connect the light to the building wiring according to the connection diagram, taking care to ensure the various wires are neatly stowed in the connector module.



## 5. INSTALLING THE FIXTURE

Connect the ground wire from the metal fixture to the wall bracket.

Slide the metal fixture onto the wall bracket and secure in place with the M4x6 set screw using a size 2 hex key.

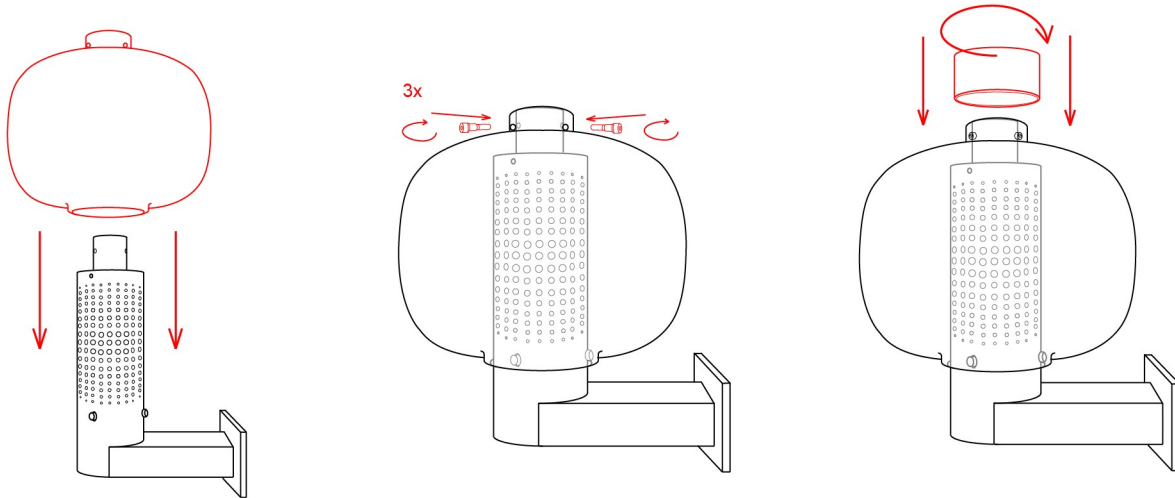




## 6. INSTALLING THE GLASS SHADE

Position the glass shade over the body of the light with the larger opening down and install 3x screws (M6x25) in the holes at the top of the shade.

Screw the cap onto the upper section.



## 7. SWITCHING ON THE LIGHT

Restore power at the main circuit panel and verify that the light works properly.

