



BROKIS®



BONBORI WALL

CM14130

DOWN - PC1280



Download

COMPONENTS INCLUDED WITH UNIT:

1x glass shade
1x diffuser
1x body
1x metal fixture
1x wall bracket
1x set screw M4x4
3x screw M6x25
3x set screw with partial thread M4x16
3x plastic grommets
1x set screw M4x6
1x cotton gloves
1x installation manual

WARNING:

The manufacturer assumes no liability for damage resulting from incorrect assembly. When unpacking the light, do so with regard for its material composition – the main components are made of glass.

Wear the cotton gloves included with the light when unpacking and assembling it.
WARNING: MUST NOT BE USED LIKE THE BONBORI WALL UP VARIANT!!!

Installation time: 30 minutes / 2 persons



BROKIS®

BROKIS S.R.O.
ŠPANIĚLOVA 1315/25
163 00 PRAHA 6 - ŘEPY
CZECH REPUBLIC

ORG. ID 64940799
VAT ID CZ64940799
C 42174 MĚSTSKÝ SOUD
V PRAZE

TEL +420 567 211 517
TECHNICAL@BROKIS.CZ
INFO@BROKIS.CZ
WWW.BROKIS.CZ



CLEANING THE GLASS

BROKIS applies the highest possible quality standards in manufacturing its lights. Prior to shipping, each light undergoes several quality controls and stages of cleaning. Lights may require additional cleaning as a result of transportation, storage, and the amount of time that passes between packing in our plant and subsequent unpacking by the client. Therefore, we emphasize cleaning the lights prior to installation.

The glass must first be rinsed in hot water, with a dilution of a dish-detergent used to remove all foreign particles and dust. Eventually repeat this basic treatment, if necessary. Afterwards the glass must have a second cleaning using hot water, with a dilution of a de-greaser (such as ammonia or vinegar). The glass must then be thoroughly rinsed with running hot water. Eventually repeat this treatment, if necessary. The glass is then thoroughly dried with a paper towel or a clean soft cotton towel. Only re-assemble the glass to the lamp body, when completely cooled down.

Do not use mineral spirits, highly concentrated thinners, or other substances not intended for use on glass surfaces. Also: do not use products, containing silicones – since they will rapidly attract more dust and grease.

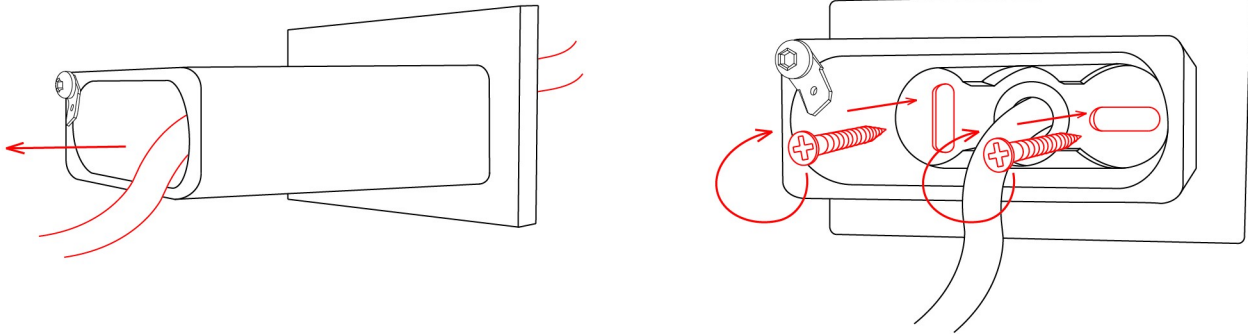
PRIOR TO SHIPPING, THE FUNCTIONALITY OF EACH LIGHT AND ITS COMPONENTS IS THOROUGHLY TESTED. THE MANUFACTURER ASSUMES NO LIABILITY FOR THE MISHANDLING OF PRODUCTS.



1. INSTALLING THE WALL BRACKET

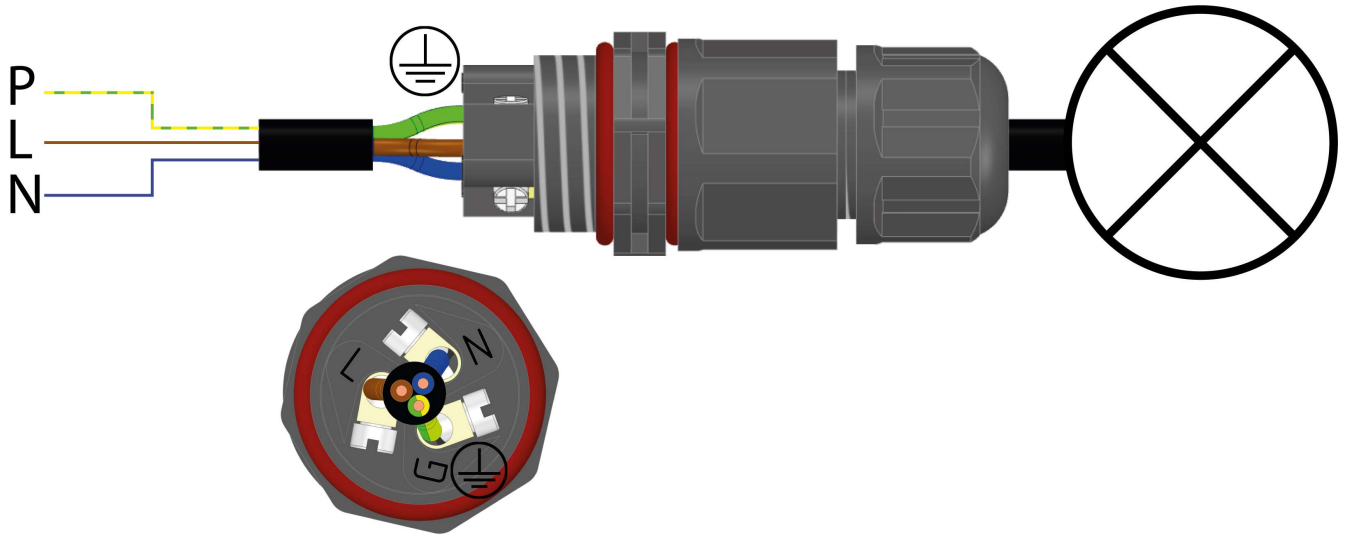
Use anchors of sufficient strength only (not included). With regard for various types and conditions of wall materials, we recommend consulting installation with an expert. The manufacturer assumes no liability for incorrect installation or defects in the material to which the bracket is secured.

Pass the building wire through the grommet in the wall bracket and secure the bracket to the wall with the ground screw eyelet facing up.



2. CONNECTING THE LIGHT TO THE BUILDING WIRING

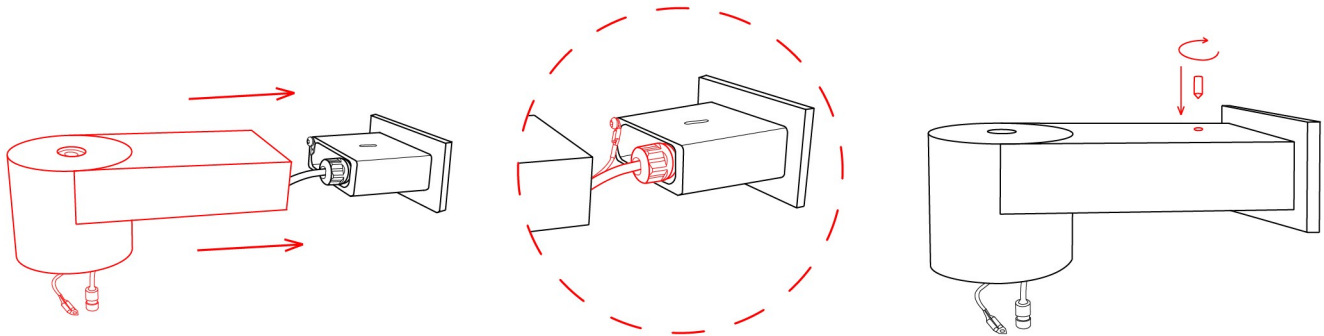
Connect the light to the building wiring according to the connection diagram, taking care to ensure the various wires are neatly stowed in the connector module.



3. INSTALLING THE FIXTURE

Connect the ground wire from the metal fixture to the wall bracket.

Slide the metal fixture onto the wall bracket and secure in place with the M4x6 set screw using a size 2 hex key.

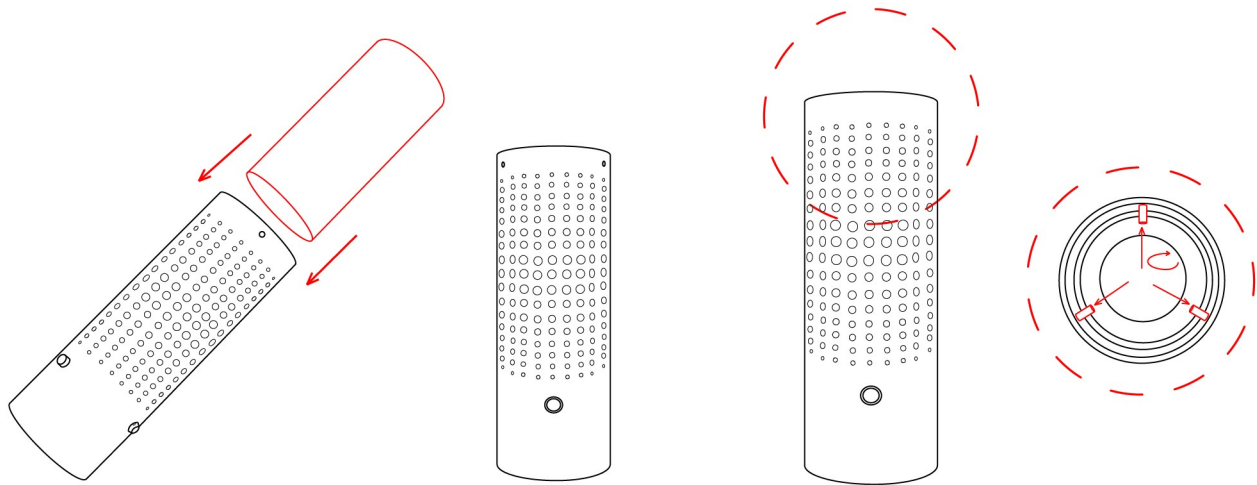


4. ASSEMBLING THE LIGHT

Insert the diffuser into the body of the light. Tilt the body first to prevent damage to the diffuser and then return it to the upright position.

Install the set screw 3 pcs / M4x16 from inside the body so that they are flush with the outer surface.

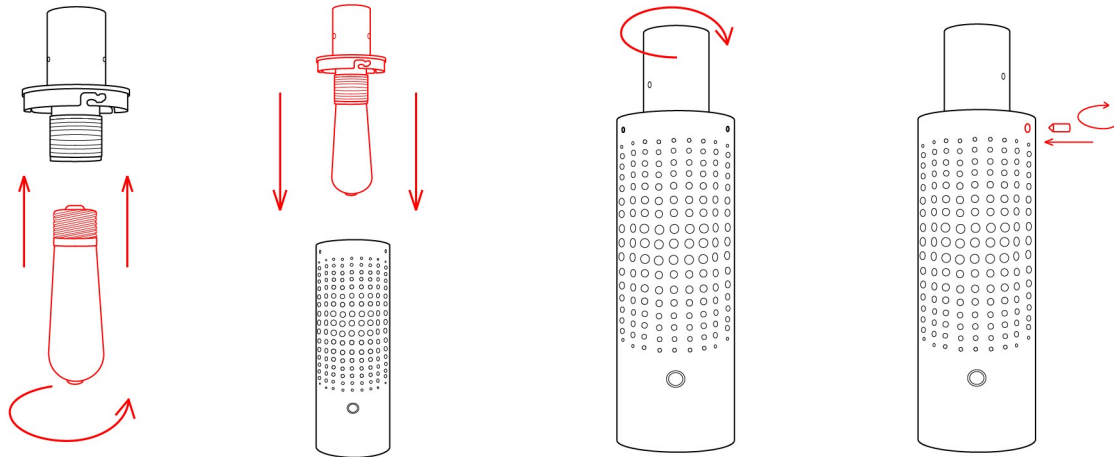
The screws will be at 120 degrees to one another (see illustration).



5. INSTALLING THE LIGHT SOURCE

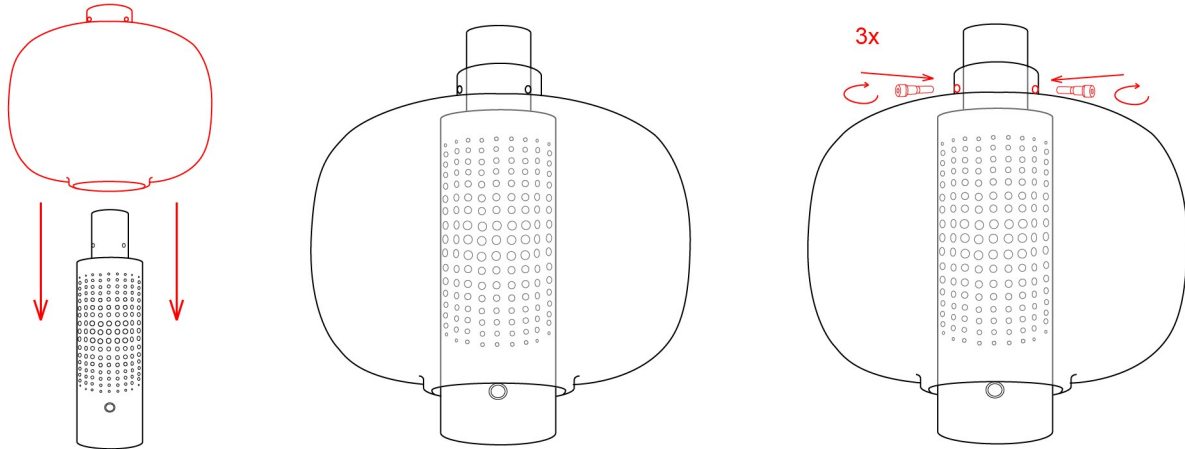
Install the light source.

Insert the metal socket with bulb into the body of the light and rotate counterclockwise. Secure in place with an M4x6 set screw using a size 2.5 hex key.



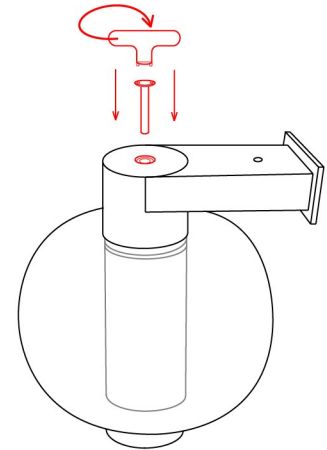
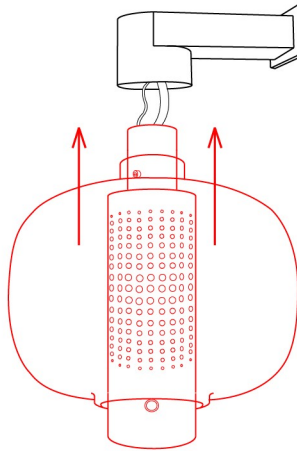
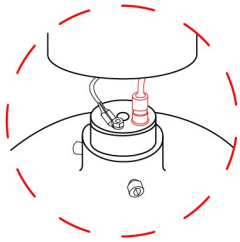
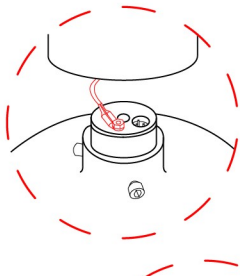
6. INSTALLING THE GLASS SHADE

Position the glass shade over the body of the light with the larger opening down and install 3x screws M6x25 in the holes at the top of the shade.



7. FINAL ASSEMBLY

With an assistant holding the part of the light with the glass shade, connect the light to the metal fixture attached to the wall bracket. Ensure all the wiring and connector are carefully stowed in the hollow fixture. Secure the assembly with the screw and special key supplied with the light.



8. SWITCHING ON THE LIGHT

Restore power at the main circuit panel and verify that the light works properly.

