



BROKIS®



CM12103

BONBORI OUTDOOR

PC1166



Download

COMPONENTS INCLUDED WITH UNIT:

- 1x body
- 1x upper section
- 1x cap
- 1x fixture
- 1x light source
- 1x glass shade
- 1x pair cotton gloves
- 1x installation manual
- 3x M4x16 set screws
- 3x M6x25 set screws
- 1x M4x16 brass set screw
- 2x Torx screws 6x60
- 2x stainless-steel anchors
- 1x M4x4 set screw

WARNING:

Installation must be carried out by a qualified electrician only.

Switch off power at main circuit panel prior to installation!

The manufacturer assumes no liability for damage occurring in transport or resulting from incorrect installation.

Installation time: 45 minutes / 1 person



BROKIS®

BROKIS S.R.O.
ŠPANIĚLOVA 1315/25
163 00 PRAHA 6 - ŘEPY
CZECH REPUBLIC

ORG. ID 64940799
VAT ID CZ64940799
C 42174 MĚSTSKÝ SOUD
V PRAZE

TEL +420 567 211 517
TECHNICAL@BROKIS.CZ
INFO@BROKIS.CZ
WWW.BROKIS.CZ



CLEANING THE GLASS

BROKIS applies the highest possible quality standards in manufacturing its lights. Prior to shipping, each light undergoes several quality controls and stages of cleaning. Lights may require additional cleaning as a result of transportation, storage, and the amount of time that passes between packing in our plant and subsequent unpacking by the client. Therefore, we emphasize cleaning the lights prior to installation.

The glass must first be rinsed in hot water, with a dilution of a dish-detergent used to remove all foreign particles and dust. Eventually repeat this basic treatment, if necessary. Afterwards the glass must have a second cleaning using hot water, with a dilution of a de-greaser (such as ammonia or vinegar). The glass must then be thoroughly rinsed with running hot water. Eventually repeat this treatment, if necessary. The glass is then thoroughly dried with a paper towel or a clean soft cotton towel. Only re-assemble the glass to the lamp body, when completely cooled down.

Do not use mineral spirits, highly concentrated thinners, or other substances not intended for use on glass surfaces. Also: do not use products, containing silicones – since they will rapidly attract more dust and grease.

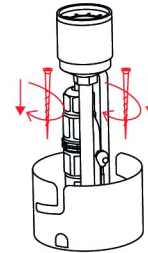
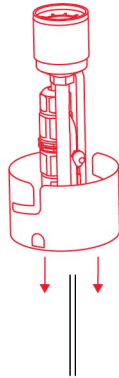
PRIOR TO SHIPPING, THE FUNCTIONALITY OF EACH LIGHT AND ITS COMPONENTS IS THOROUGHLY TESTED. THE MANUFACTURER ASSUMES NO LIABILITY FOR THE MISHANDLING OF PRODUCTS.



1. INSTALLING THE INNER BODY

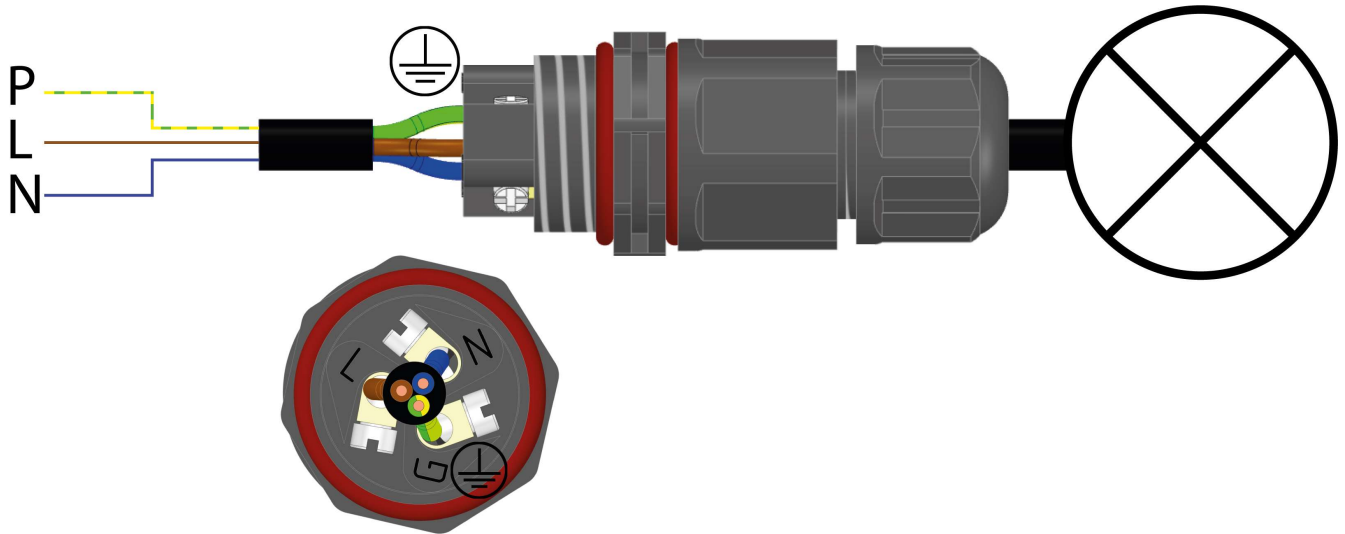
Use anchors of sufficient strength (not included). With regard to various types of material, we recommend consulting installation with an expert.

Pass the power cable through the opening in the fixture and secure to a solid base using screws.



2. CONNECTING THE LIGHT TO THE PREMISES WIRING

Connect the light to the premises wiring according to the connection diagram. Care must be taken to ensure the individual wires are stowed in the terminal module.



3. INSTALLING THE LIGHT 1/2

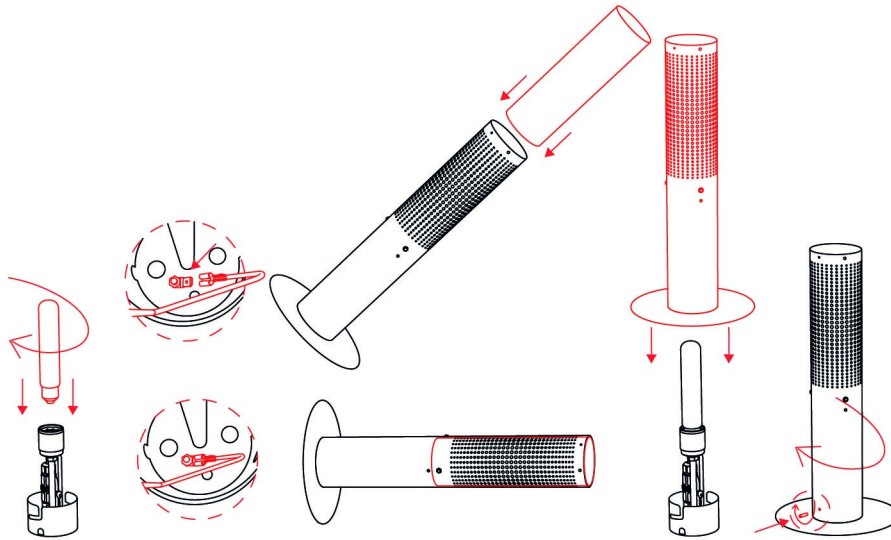
Screw the light source into the fixture.

Connect the ground wire to the connector on the fixture.

Insert the diffuser into the top of the body. When doing so, hold the body at an angle to prevent damage to the diffuser, then return it to a vertical position. Insert the diffuser into the light through the open side!

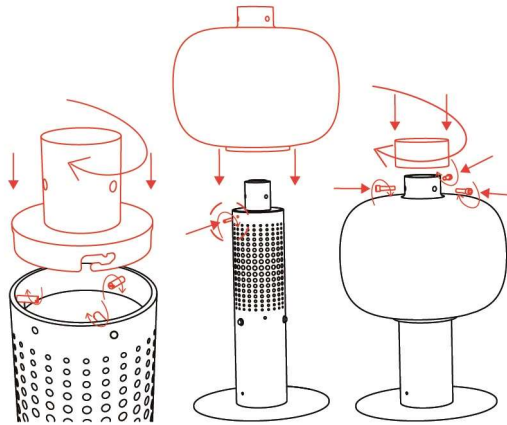
Position the body on the fixture and turn it to the right until the brass set screw (M4x16) is opposite the hole in the fixture.

Turn the brass set screw until snug (M4x16).



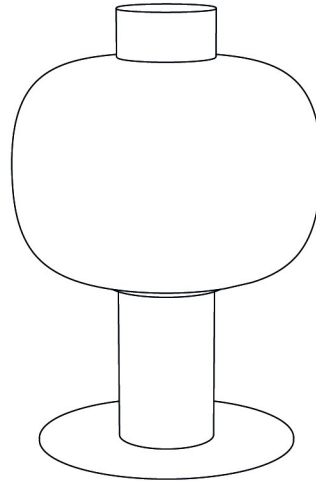
4. INSTALLING THE LIGHT 2/2

Turn the 3 set screws (M4x16) from the inside of the body so that they are flush with the outer surface of the light. Position the upper section on the set screws (M4x16) in the top of the body and turn it to secure the bayonet. Tighten the set screw (M4x4) at the top of the body to prevent the upper section from turning. Position the glass shade on the body with the larger opening facing downwards and install 3 set screws (M6x25) into the holes in the upper section. Screw the cap onto the upper section.



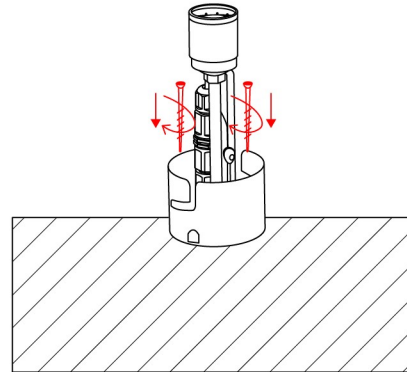
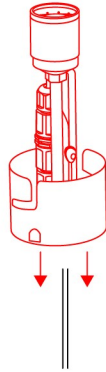
5. SWITCHING ON THE LIGHT

Restore power at the main circuit panel and verify that the light works properly.



6. INSTALLING THE INNER FIXTURE ON A WOODEN BASE

With regard to various types of material, we recommend consulting installation with an expert. Pass the power cable through the opening in the fixture and secure the fixture to the wooden base using the provided stainless-steel screws and a TX25 driver.



7. INSTALLING THE INNER FIXTURE ON A CONCRETE BASE

With regard to various types of material, we recommend consulting installation with an expert. Pass the power cable through the opening in the fixture and position the fixture on the concrete base to mark the anchor drill points. Remove the fixture and drill the anchor holes with a 6mm bit to a depth of 45 mm. Install the provided stainless-steel anchors in the drilled holes by tapping them with a hammer, taking care to leave 10 mm of the thread extending above the surface. Pass the power cable through the opening in the fixture and position the fixture on the anchors. Install a washer on each anchor and then an M6 nut and tighten with a 10mm wrench.

