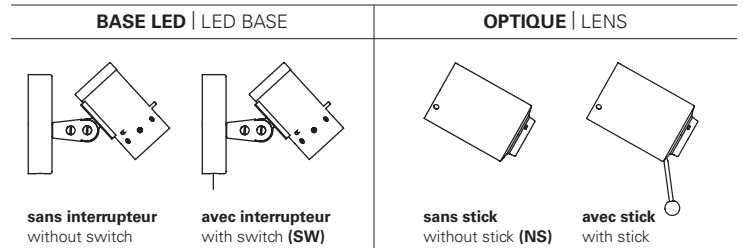


BINY SPOT LED

de Jacques Biny



FICHE TECHNIQUE

TECHNICAL SHEET



APPLIQUE

WALL LAMP

Matériaux
Materials

Acier, aluminium
Steel, aluminium

Poids net
Net weight

1,2kg

Emballage
Packaging

220 x 150 x 150 mm

IP
IP

20

Tension
Voltage

110/240V

Classe
Class

1

Watt
Watt

4,5W

Source
Source

INTEGRATED LED 2700K
Non dimmable

Lumens
Lumens output

62,399 lm

Driver
Driver

Driver fourni (51,5x32,8x17 mm)
500 mA / 3-10,5V / 1,5-5,2W
Driver supplied (51,5x32,8x17 mm)
500 mA / 3-10,5V / 1,5-5,2W

Câble
Wire

NA

Interrupteur
Switch

Sur la base (option)
On the base (option)

Fiches
Plug

NA

BASE BASE



Black

BL



Polished Nickel

NK

TUBE TUBE



Black

BL



Polished Nickel

NK



Gold Anodized

GL

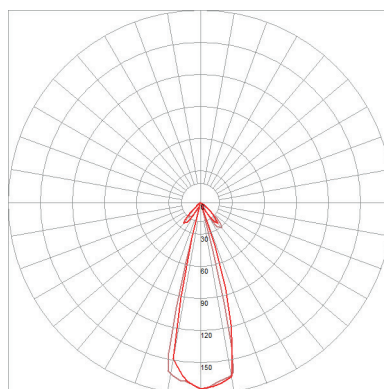
BINY SPOT LED

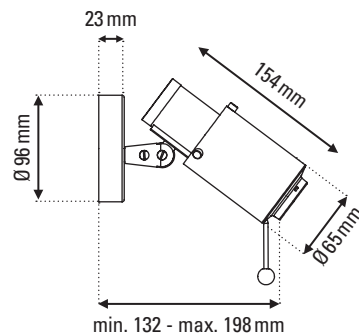
de Jacques Biny

FICHE TECHNIQUE TECHNICAL SHEET

DONNÉES PHOTOMÉTRIQUES PHOTOMETRIC DATA

Flux 62,399lm
Tc 2918K
CRI 77,3



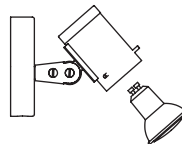


BINY SPOT BULB

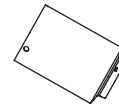
de Jacques Biny

BASE AMPOULE | BULB BASE

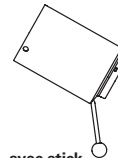
OPTIQUE | LENS



sans interrupteur
without switch



sans stick
without stick (NS)



avec stick
with stick

FICHE TECHNIQUE TECHNICAL SHEET



APPLIQUE

WALL LAMP

Matériaux Acier, aluminium
Materials Steel, aluminium

Poids net 1 kg
Net weight

Emballage 220 x 150 x 150 mm
Packaging

IP 20
IP

Tension 220/240V
Voltage

Classe 1
Class

Watt 5W
Watt

Type d'ampoule BULB GU10 (Ampoule non fournie)
Bulb type BULB GU10 (Bulb not included)
Dimmable avec ampoule dimmable
Dimmable with dimmable bulb

Lumens 500 lm (valeur estimée)
Lumens output 500 lm (estimated value)

Driver NA
Driver

Câble NA
Wire

Interrupteur Sans interrupteur
Switch Without switch

Fiches NA
Plug

BASE BASE



Black

BL



Polished Nickel

NK

TUBE TUBE



Black

BL



Polished Nickel

NK



Gold Anodized

GL