

PANZERI

Bella

220-240V AC dimmable (Step DIM)

X05230.011.0509

titanium

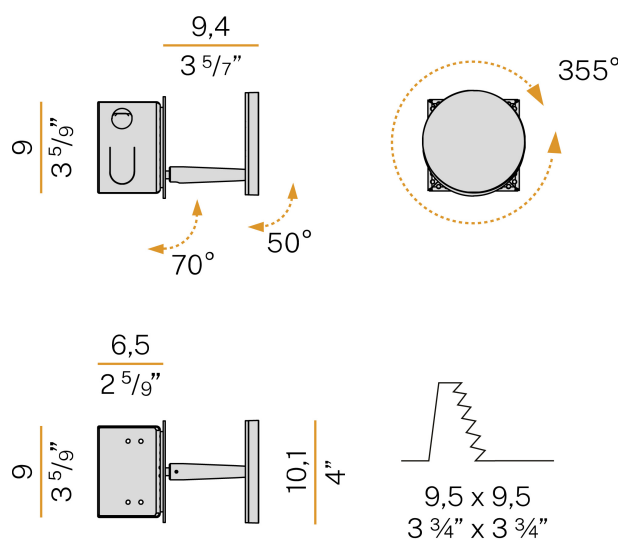


Data sheet

CODE	X05230.011.0509
SYSTEM POWER CONSUMPTION	5W
EFFICACY	77.6lm/W
LIGHT SOURCE	LED
LIGHT SOURCE LIFETIME	L80 (B10) 70.000h
COLOUR TEMPERATURE	2700K Ra>90
LIGHT DISTRIBUTION	adjustable
POWER SUPPLY	220-240V AC
FREQUENCY	50/60Hz
ELECTRICAL CONFIGURATION	dimmable (Step DIM)
DRIVER	integrated included
NOMINAL LUMINOUS FLUX	460lm
LUMEN OUTPUT	388lm
EFFICIENCY	84.3%
WEIGHT	0,93 Kg
PROTECTION DEGREE	IP20
COLOUR TOLLERANCES	SDCM 3
PACKING DIMENSIONS	13,0 x 24,0 x 12,0 cm



Technical drawing



Lighting fixture for wall semi-built-in installation for interiors, with swivelling light beam.
Pickled sheet metal fixing disk in white polyacrylic paint.
Pickled sheet metal wall plate in white, black, bronze, mat brass or titanium polyacrylic paint.
Turned brass joints in polyacrylic paint.
Die-cast aluminium structure in polyacrylic paint.
Die-cast aluminium head rotating on three axes in polyacrylic paint.
Modelled acrylic diffuser with mat finish.
Aluminium closing disk in polyacrylic paint.
Push-button to adjust luminosity according to 5 levels of visual comfort.
Recessed housing for masonry or plasterboard, in pickled sheet metal in polyacrylic paint.
Pickled sheet metal brackets for plasterboard fixing.
Built-in hole dimension: 95x95mm (3,7x3,7")

Application



PANZERI

Bella

220-240V AC dimmable (Step DIM)

A05230.011.0509

titanium



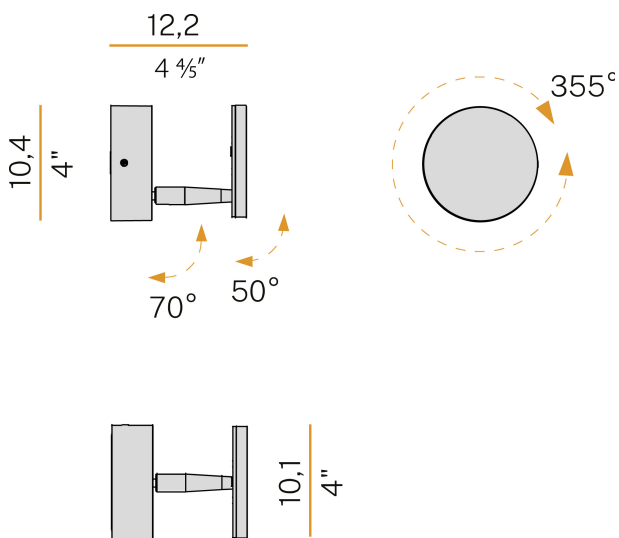
Data sheet

CODE	A05230.011.0509
SYSTEM POWER CONSUMPTION	5W
EFFICACY	77.6lm/W
LIGHT SOURCE	LED
LIGHT SOURCE LIFETIME	L80 (B10) 70.000h
COLOUR TEMPERATURE	2700K Ra>90
LIGHT DISTRIBUTION	adjustable
POWER SUPPLY	220-240V AC
FREQUENCY	50/60Hz
ELECTRICAL CONFIGURATION	dimmable (Step DIM)
DRIVER	integrated included
NOMINAL LUMINOUS FLUX	460lm
LUMEN OUTPUT	388lm
EFFICIENCY	84.3%
WEIGHT	0,56 Kg
PROTECTION DEGREE	IP20
COLOUR TOLLERANCES	SDCM 3
PACKING DIMENSIONS	12,0 x 24,0 x 13,0 cm



Ceiling or wall lighting fixture for interiors, with swivelling light beam.
Galvanized sheet metal ceiling or wall bracket.
Die-cast aluminium wall plate in white, black, bronze, mat brass or titanium polyacrylic paint.
Turned brass joints in polyacrylic paint.
Die-cast aluminium structure in polyacrylic paint.
Die-cast aluminium head rotating on three axes in polyacrylic paint.
Modelled acrylic diffuser with mat finish.
Aluminium closing disk in polyacrylic paint.
Push-button to adjust luminosity according to 5 levels of visual comfort.

Technical drawing



Application

