

Arrival 70 ceiling - Brass - APP Compatible

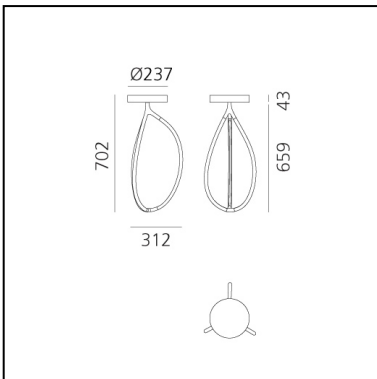
Ludovica+Roberto Palomba



DESCRIPTION

Arrival is a complete lamp family with dynamic, flowing shapes that sculpt light with delicate, graphic lines. Branching out from a central joint, common to all the different versions, each model has three arms that form a soft, organic geometric shape through a profile that is both light and structure. Each element has a section that leaves the aluminium profile visible from the outside while generating a light-diffusing surface inside. The resulting elements blend into spaces with a presence that is discreet yet distinctive thanks to the shape and quality of the softly diffused light. These are elegant lighting tools, perfect for use in multiple series or for combining the different versions together depending on the requirements of the installation spaces.

IP20   Dimmerable: 



FEATURES

- Product Code: **1554010APP**
- Colour: **Brass**
- Installation: **Ceiling**
- Material: **Aluminium, silicone**
- Series: **Design Collection**
- design by: **Ludovica+Roberto Palomba**

DIMENSIONS

- Width: **312 mm**
- Height: **702 mm**
- Base Width: **43 mm**
- Base Diameter: **237 mm**

LUMINAIRE

- Watt: **26W**
- Delivered lumen output: **809lm**
- CCT: **3000K**
- Efficiency: **35%**
- Efficacy: **31.12lm/W**
- CRI: **90**
- Dimmable Typology: **Push**

Accessories

Device for switching and controlling Artemide App products. Max N.3 inputs for external push buttons. Max 1m distance. Mains power supply required. To be installed inside flush mounting boxes or junction boxes. DV1080APP

Arrival 70 ceiling - Black - APP Compatible

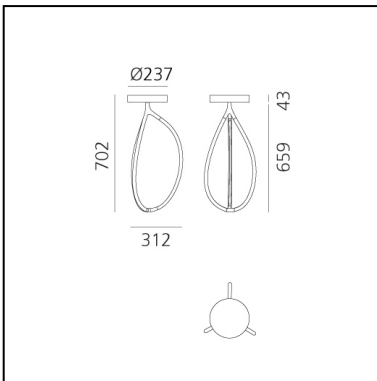
Ludovica+Roberto Palomba



DESCRIPTION

Arrival is a complete lamp family with dynamic, flowing shapes that sculpt light with delicate, graphic lines. Branching out from a central joint, common to all the different versions, each model has three arms that form a soft, organic geometric shape through a profile that is both light and structure. Each element has a section that leaves the aluminium profile visible from the outside while generating a light-diffusing surface inside. The resulting elements blend into spaces with a presence that is discreet yet distinctive thanks to the shape and quality of the softly diffused light. These are elegant lighting tools, perfect for use in multiple series or for combining the different versions together depending on the requirements of the installation spaces.

IP20   Dimmerable: 



LUMINAIRE

- Watt: **26W**
- Delivered lumen output: **809lm**
- CCT: **3000K**
- Efficiency: **35%**
- Efficacy: **31.12lm/W**
- CRI: **90**
- Dimmable Typology: **Push**

FEATURES

- Product Code: **1554030APP**
- Colour: **Black**
- Installation: **Ceiling**
- Material: **Aluminium, silicone**
- Series: **Design Collection**
- design by: **Ludovica+Roberto Palomba**

DIMENSIONS

- Width: **312 mm**
- Height: **702 mm**
- Base Width: **43 mm**
- Base Diameter: **237 mm**

Accessories

Device for switching and controlling Artemide App products. Max N.3 inputs for external push buttons. Max 1m distance. Mains power supply required. To be installed inside flush mounting boxes or junction boxes. DV1080APP

Arrival 130 ceiling - Brass - APP Compatible

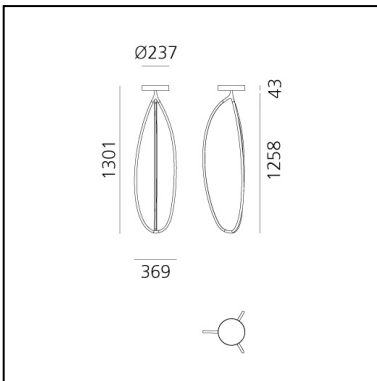
Ludovica+Roberto Palomba



DESCRIPTION

Arrival is a complete lamp family with dynamic, flowing shapes that sculpt light with delicate, graphic lines. Branching out from a central joint, common to all the different versions, each model has three arms that form a soft, organic geometric shape through a profile that is both light and structure. Each element has a section that leaves the aluminium profile visible from the outside while generating a light-diffusing surface inside. The resulting elements blend into spaces with a presence that is discreet yet distinctive thanks to the shape and quality of the softly diffused light. These are elegant lighting tools, perfect for use in multiple series or for combining the different versions together depending on the requirements of the installation spaces.

IP20   Dimmerable: 



FEATURES

- Product Code: **1555010APP**
- Colour: **Brass**
- Installation: **Ceiling**
- Material: **Aluminium, silicone**
- Series: **Design Collection**
- design by: **Ludovica+Roberto Palomba**

DIMENSIONS

- Width: **369 mm**
- Height: **1301 mm**
- Base Width: **43 mm**
- Base Diameter: **237 mm**

LUMINAIRE

- Watt: **48W**
- Delivered lumen output: **1618lm**
- CCT: **3000K**
- Efficiency: **35%**
- Efficacy: **33.71lm/W**
- CRI: **90**
- Dimmable Typology: **Push**

Accessories

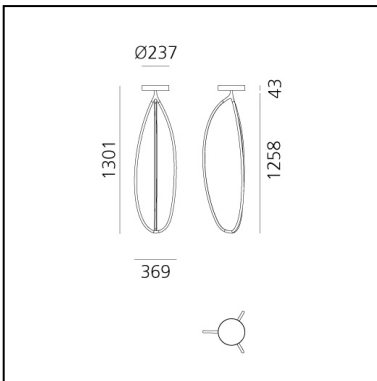
Device for switching and controlling Artemide App products. Max N.3 inputs for external push buttons. Max 1m distance. Mains power supply required. To be installed inside flush mounting boxes or junction boxes. DV1080APP

Arrival 130 ceiling - Black - APP Compatible

Ludovica+Roberto Palomba



IP20   Dimmerable: 



LUMINAIRE

- Watt: **48W**
- Delivered lumen output: **1618lm**
- CCT: **3000K**
- Efficiency: **35%**
- Efficacy: **33.71lm/W**
- CRI: **90**
- Dimmable Typology: **Push**

DESCRIPTION

Arrival is a complete lamp family with dynamic, flowing shapes that sculpt light with delicate, graphic lines. Branching out from a central joint, common to all the different versions, each model has three arms that form a soft, organic geometric shape through a profile that is both light and structure. Each element has a section that leaves the aluminium profile visible from the outside while generating a light-diffusing surface inside. The resulting elements blend into spaces with a presence that is discreet yet distinctive thanks to the shape and quality of the softly diffused light. These are elegant lighting tools, perfect for use in multiple series or for combining the different versions together depending on the requirements of the installation spaces.

FEATURES

- Product Code: **1555030APP**
- Colour: **Black**
- Installation: **Ceiling**
- Material: **Aluminium, silicone**
- Series: **Design Collection**
- design by: **Ludovica+Roberto Palomba**

DIMENSIONS

- Width: **369 mm**
- Height: **1301 mm**
- Base Width: **43 mm**
- Base Diameter: **237 mm**

Accessories

Device for switching and controlling Artemide App products. Max N.3 inputs for external push buttons. Max 1m distance. Mains power supply required. To be installed inside flush mounting boxes or junction boxes. DV1080APP