

FLOS

F0300000 Steel

Arco

Designed by Achille and Pier Giacomo Castiglioni, 1962

Halogen - 70W



Floor lamp providing direct light. White Carrara marble base. Satin-finish stainless steel telescopic stem. Pressed, polished and zapon-varnished aluminum swiveling and height-adjustable reflector.

Are you a professional and your project needs consulting and support?

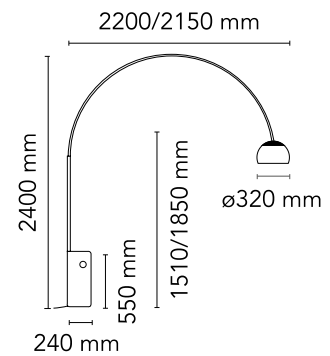
[BOOK AN APPOINTMENT](#)

Main specifications

| | |
|-------------------|---------------------|
| EAN | 8059607000946 |
| Mounting | Floor |
| Environments | Indoor dry location |
| Light Source Type | Bulb |
| Lamp category | Halogen |
| Lamp holders | E27 |
| Ilcos | HSGSA/S |
| Number of heads | 1 |
| Power (W) | 70 |

Physical

| | |
|---------------------|-------|
| Colour | Steel |
| Cord length (mm) | 2500 |
| Net weight (kg) | 63.4 |
| Package volume (m3) | 0.13 |
| IP internal | 20 |

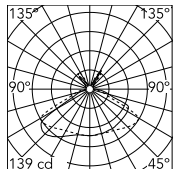


Download

| | |
|---------------------------------------|---------------------|
| Mounting instructions | PDF |
| Mounting instructions | PDF |
| Spare Parts | PDF |



Schematic light drawing



Luminous flux Luminaire
1030 lm

Photometric

| | |
|--------------------|------------|
| Lighting type | Direct |
| Light distribution | Asymmetric |

Electrical

| | |
|----------------------|---------|
| Insulation class | II |
| Frequency (Hz) | 50/60 |
| Main voltage (Vac) | 220-250 |
| LED voltage Vf (Vdc) | null |
| Plug type | Type C |
| Batteries inside | No |
| Charging min time | No |

Bulbs

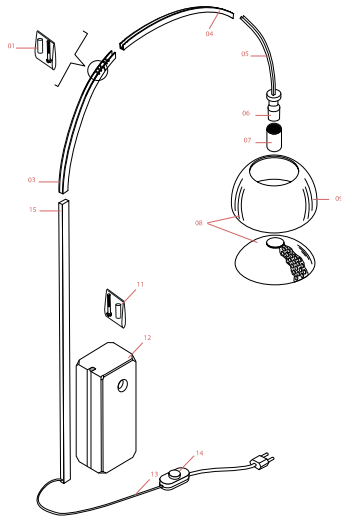


NOT INCLUDED

RF32771

LED Lamp 11W Im E27 220-
240V 2700K A60

Spare Parts



| | | |
|-----|--|-----------|
| 01. | Pins and screw set | RF0300200 |
| 02. | Stem and channels EneC assembly with on/off switch | F0330000 |
| 03. | Long inox channel | RF02970 |
| 04. | Medium inox channel | RF02971 |
| 05. | Small inox channel with lamp holder integrated | RF02972 |
| 06. | Lamp holder with joint | RF0300300 |
| 07. | Anodized sleeve | RF02593 |
| 08. | EneC reflector and grid | F0320000 |
| 09. | Polished reflector | RF00797 |
| 10. | Polished grid | RF01411 |
| 11. | Fixing screw with joint | RF0300100 |
| 12. | Marble base | F0310000 |
| 13. | Electrical wiring assembly with on-off switch | RF04724 |
| 14. | Black d/661 on-off switch | RF04392 |
| 15. | Inox stem | RF21041 |

DOWNLOAD



RF0300200

Pins and screw set



F0330000

Stem and channels EneC assembly with on/off switch



RF02970

Long inox channel



RF02971

Medium inox channel



RF02972

Small inox channel with lamp holder integrated



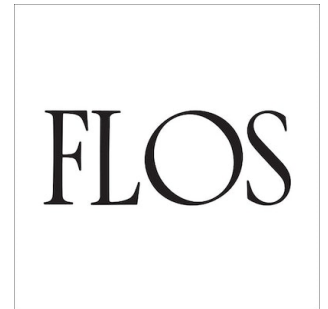
RF0300300

Lamp holder with joint



RF02593

Anodized sleeve



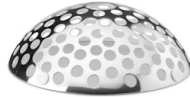
F0320000

EneC reflector and grid



RF00797

Polished reflector



RF01411

Polished grid



RF0300100

Fixing screw with joint



F0310000

Marble base



RF04724

Electrical wiring assembly with on-off switch



RF04392

Black d/661 on-off switch



RF21041

Inox stem

FLOS

|| F0303000 Steel

Arco Led

Designed by Achille and Pier Giacomo Castiglioni, 1962

28W - 1224lm - 2700K



Floor lamp providing direct light. White Carrara marble base. Satin-finish stainless steel telescopic stem. Pressed, polished and zapon-varnished aluminum swiveling and height-adjustable reflector.

Are you a professional and your project needs consulting and support?

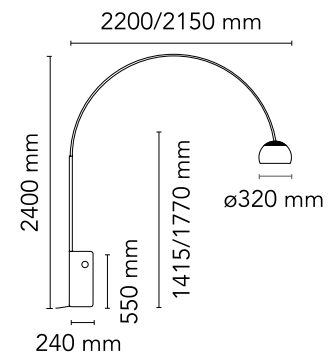
[BOOK AN APPOINTMENT](#)

Main specifications

| | |
|-------------------|---------------------|
| EAN | 8059607000991 |
| Mounting | Floor |
| Environments | Indoor dry location |
| Light Source Type | LED |
| LED type | LED array |
| Power (W) | 28 |
| System flux (lm) | 1224 |

Physical

| | |
|---------------------|-------|
| Colour | Steel |
| Cord length (mm) | 2300 |
| Net weight (kg) | 63.85 |
| Package volume (m3) | 0.24 |
| IP internal | 20 |



Download

- [Mounting instructions](#) PDF
- [Mounting instructions](#) PDF
- [Mounting instructions](#) PDF
- [Spare Parts](#) PDF

Photometric Files

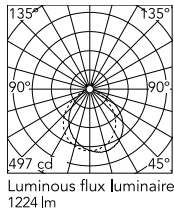
- [LDT / IES](#) LDT

Technical Drawings

- [2D](#) ZIP
- [3D](#) ZIP
- [Bim](#) ZIP



Schematic light drawing



Photometric

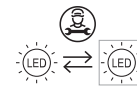
| | |
|--------------------|------------|
| Lighting type | Direct |
| Light distribution | Asymmetric |
| CCT (K) | 2700 |

Electrical

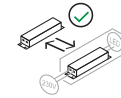
| | |
|----------------------|------------------------|
| Insulation class | III |
| Frequency (Hz) | 50/60 |
| Main voltage (Vac) | 100-240/48 |
| LED voltage Vf (Vdc) | null |
| Driver | Remote included |
| Dimmable | Yes |
| Dimming type | Electronic 48V |
| Dimming interface | Dimmer Integrated |
| Plug type | Type G, Type A, Type C |
| Batteries inside | No |
| Charging min time | No |

Ecodesign and Energy Labelling

This product contains a light source of energy efficiency class D

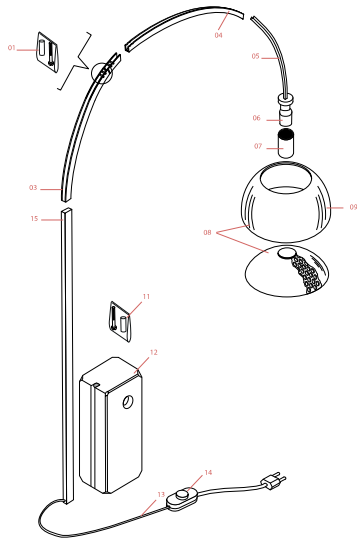


Replaceable (LED only)
light source by a
professional



Replaceable control
gear by an end-user

Spare Parts



- | | | |
|-----|--|-----------|
| 01. | Black plug assembly kit & 48V driver | RF3320400 |
| 02. | Switch dimmer 600Ma for new version | RF26383 |
| 03. | Switch dimmer 400mA assembly for old version | RF0303600 |
| 04. | Middle electric cable with connectors | RF20805 |
| 05. | Marble base | F0310000 |
| 06. | Fixing screw with joint | RF0300100 |
| 07. | Inox stem | RF21041 |
| 08. | Long inox channel | RF02970 |
| 09. | Pins and screw set | RF0300200 |
| 10. | Medium inox channel | RF02971 |
| 11. | Polished reflector | RF00797 |
| 12. | Small inox channel with grid and led | RF0303400 |
| 14. | Optical led diffuser fixing screws | RF0303300 |

DOWNLOAD



RF3320400
Black plug assembly kit & 48V driver



RF26383
Switch dimmer 600Ma for new version



RF0303600
Switch dimmer 400mA assembly for old version



RF20805
Middle electric cable with connectors



F0310000
Marble base



RF0300100
Fixing screw with joint



RF21041
Inox stem



RF02970
Long inox channel



RF0300200

Pins and screw set



RF02971

Medium inox channel



RF00797

Polished reflector



RF0303400

Small inox channel with grid and led



RF0303300

Optical led diffuser fixing screws