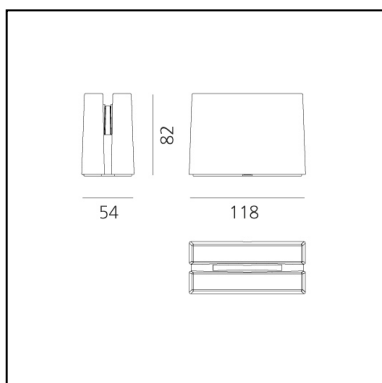


Antarktíkós - White Light

Carlotta de Bevilacqua



IP65    Dimmerable: 



LUMINAIRE

- Watt: **3W**
- Delivered lumen output: **20lm**
- CCT: **3000K**
- CRI: **80**
- Dimmable Typology: **Push/DALI**

Notes

Driver 500/700mA supplied separately. Depending on the driver, the device can be dimmable or non-dimmable. N° device per driver: 1-5 DV3003, 1-4 NL19035, 1-9 DV1003, 1-12 DV1042

DESCRIPTION

An innovative patented optic realizes a light blade that, from a single LED source, draws a 360 ° light profile. A perfect tool for architectural lighting that emphasizes with high efficiency the different opening profiles

FEATURES

- Product Code: **T4520030**
- Colour: **Grey/white RAL 9002**
- Installation: **CeilingWallFloor**
- Series: **Architectural Outdoor**
- Environment: **Outdoor**
- design by: **Carlotta de Bevilacqua**

DIMENSIONS

- Length: **117 mm**
- Width: **52 mm**
- Height: **81 mm**
- Impact Resistance: **IK06**

Accessories

NO
IMAGE
AVAILABLE

Driver 20-25W - 220-240Vac - 164x38x25
(LxWxH) - Dimmable DALI/PUSH DV1003

NO
IMAGE
AVAILABLE

Driver 14W - 700mA 220-240 - 79x38x25 (LxWxH) -
IP67 - Undimable DV3003

NO
IMAGE
AVAILABLE

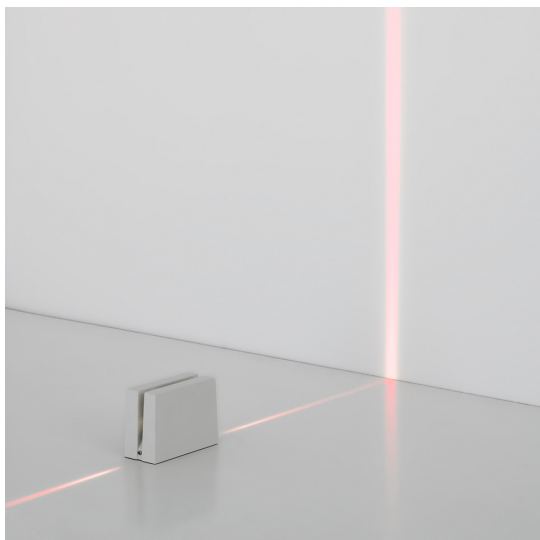
Driver 38W - 220-240 - 185x35x33 (LxWxH) - IP67
- Dimmable DALI DV1042

NO
IMAGE
AVAILABLE

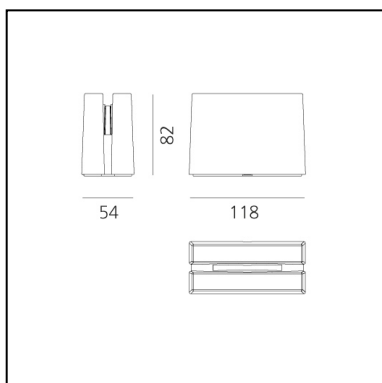
Driver 10W - 700mA 220-240 Vac - 75x38x25
(LxWxH) - IP20 - Undimable NL19035

Antarktíós - RGB Light

Carlotta de Bevilacqua



IP65   



LUMINAIRE

- Watt: **3W**
- Delivered lumen output: **20lm**
- CRI: **80**

Notes

Driver supplied separately.

DESCRIPTION

An innovative patented optic realizes a light blade that, from a single LED source, draws a 360 ° light profile. A perfect tool for architectural lighting that emphasizes with high efficiency the different opening profiles

FEATURES

- Product Code: **T4521030**
- Colour: **Grey/white RAL 9002**
- Installation: **CeilingWallFloor**
- Series: **Architectural Outdoor**
- Environment: **Outdoor**
- design by: **Carlotta de Bevilacqua**

DIMENSIONS

- Length: **117 mm**
- Width: **52 mm**
- Height: **81 mm**
- Impact Resistance: **IK06**

Accessories

NO
IMAGE
AVAILABLE

Driver 25W - 100-277 Vac - 12Vdc - 148x40x32
(LxWxH) - IP67 DV1055

NO
IMAGE
AVAILABLE

Driver 40W - 100-277 Vac - 12Vdc - 163x43x32
(LxWxH) - IP67 DV1056

NO
IMAGE
AVAILABLE

Driver 100W - 100-277 Vac - 12Vdc - 140x63x32
(LxWxH) - IP67 DV1057

NO
IMAGE
AVAILABLE

Driver 150W - 100-277 Vac - 12Vdc - 228x68x39
(LxWxH) - IP67 DV1043

NO
IMAGE
AVAILABLE

Dimmer DMX - 12-24 Vdc 12-24 pwm - 88x54x25
(LxWxH) - IP20 DV1059

NO
IMAGE
AVAILABLE

Dimmer DALI - 12-24 Vdc 12-24 pwm - 88x54x25
(LxWxH) - IP20 DV1052