

ALBERTSLUND WALL

The fixture provides characteristic symmetrical and functional lighting. The horizontal ring reflects the light downwards, but its position also allows some light to slip past and illuminate the fixture itself. The anti-glare ring prevents from horizontal glare, and the diffuser is available either as clear or partly frosted glass, depending on the desired light source.



Jens Møller-Jensen

Jens Møller-Jensen was born and raised in Copenhagen. In 1955, he finalized his exam as a medical and technical instrument engineer and in 1964, he graduated as an architect from the Royal Danish Academy of Fine Arts, Copenhagen.



Vilhelmsborg



Private residence, Sipoo

Product info

Environmental Product Specification

This product is compliant with the requirements contained in the European Directives, RoHS Directive 2011/65 and 2015/863. This product is designed so that 100% of the product can be disassembled and reused.

Information

The control gear is placed in the wall box. Please note that the top, wall box and arm appears in natural aluminium surface for the versions with galvanised shades. Both natural aluminium and galvanised surfaces will oxidize during time. This can result in an inconsistent surface finish during oxidation. This process might have begun already during stocking/transportation.

Mounting

Terminal block: 1x3x2.5mm². Cable entries: 2x rear entries for cable Ø 10-14.5mm and 2x bottom knockouts Ø 15mm. Looping: Approved, max. 3x1,5mm². Ballast positioning: In wall box.

Finish

Galvanized, grey or white, powder coated.

Materials

Enclosure: Clear glass or partly frosted glass. Saturn ring: Punched aluminium or galvanized, punched steel. Anti glare ring: Spun aluminium or galvanized, extruded steel. Housing: Die cast aluminium. Wall box: Die cast aluminium. Arm: Extruded aluminium.

Sizes and weights

Width x Height x Length (mm) | 415 x 220 x 270 Max 3.2 kg | 515 x 220 x 270 Max 3.2 kg

Class

Ingress protection IP44. Electric shock protection I w. ground. IK06.

Specification notes

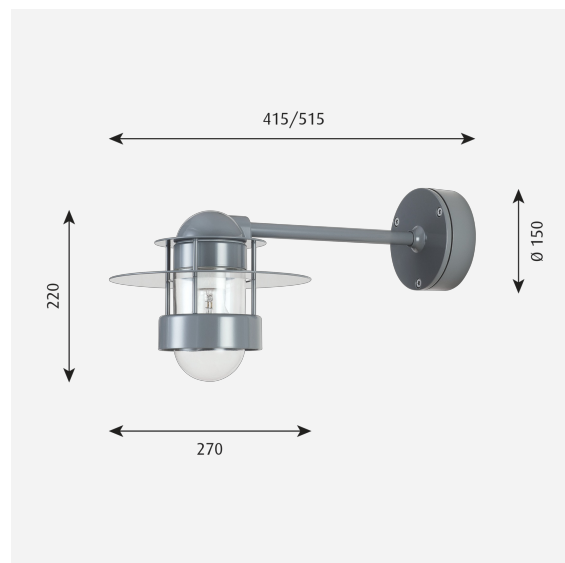
Incandescent version is supplied with clear glass enclosure. The innovation of light sources is ongoing. Consequently we only inform about the max. wattages. On www.louispoulsen.com we update a list of recommendable light sources.

Light source

1x100W E27

Information

The control gear is placed in the wall box. Please note that the top, wall box and arm appears in natural aluminium surface for the versions with galvanised shades. Both natural aluminium and galvanised surfaces will oxidize during time. This can result in an inconsistent surface finish during oxidation. This process might have begun already during stocking/transportation.



Related products



Albertslund Maxi Post



Albertslund Mini Post



Albertslund Mini LED Upgrade Kit



Albertslund Maxi LED Upgrade Kit

Product variants

Colour	Arm type	Light source
<input checked="" type="radio"/> Galvanized	LONG	1x100W E27
<input checked="" type="radio"/> Grey	SHORT	
<input type="radio"/> White		

Product description

The design is based on an anti-glare ring and a circular disc carried by four struts.

Different colour variants.

Member of a family.

Mounting

Terminal block: 1x3x2.5mm².

Cable entries: 2x rear entries for cable Ø 10-14.5mm and 2x bottom knockouts Ø 15mm.

Looping: Approved, max. 3x1,5mm².

Ballast positioning: In wall box.

Light description

The fixture provides characteristic symmetrical and functional lighting.

The disc reflects the light downwards, but its position also allows some light to slip past and illuminate the fixture itself.

The disc directs the main part of the light downwards and outwards and a small part upwards.

The anti-glare ring and the disc provides a nice play of light and shadow on the wall.

The anti-glare ring prevents from horizontal glare.

Provides vertical light for people to feel safe and comfortable.

The fixture design is identifiable when the light is on.

Design

Jens Møller-Jensen

Material

Mounting box:

Die-cast aluminium mounting box with white or grey powder coated finish or satin brushed finish for galvanized variant.

Arm:

Extruded aluminium straight arm with white or grey powder coated finish or extruded steel hot dip galvanized.

Die-cast aluminium top:

With white or grey powder coated finish or brushed.

Struts:

Stainless steel with white or grey powder coated finish or hot deep galvanized.

Horizontal ring:

Die cut aluminium with white or grey powder coated finish or die cut steel hot deep galvanized.

Anti-glare ring: Spun aluminium with white or grey powder coated finish or extruded steel hot deep galvanized. Enclosure: Glass made in one piece, clear or partly frosted glass.

Weight

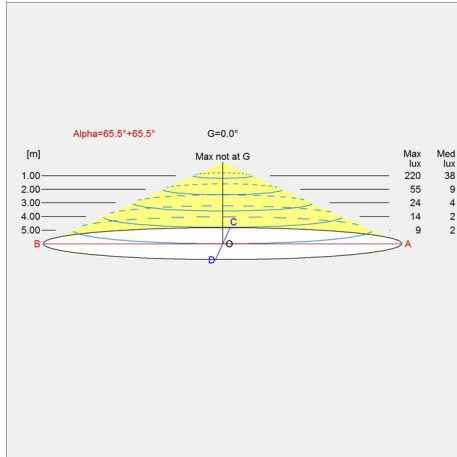
Min: 2.198 kg Max: 3.237 kg

Finish

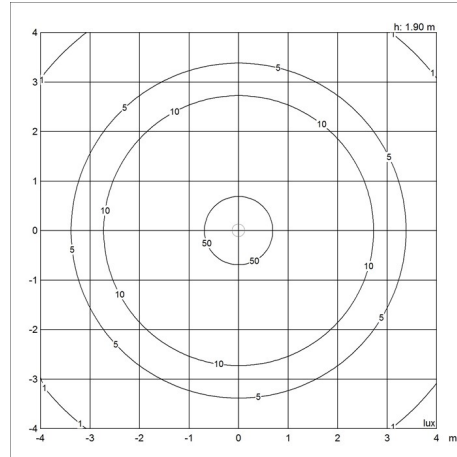
Galvanized, Grey, White

Light distribution diagrams

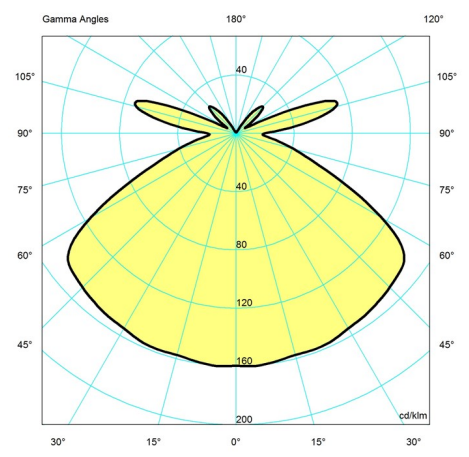
Cartesian



Isolux



Polar



Spare parts & accessories

Product

- ALB.P/W/C B., GLASS CLEAR
- ALB.P/W/C, GLASS OPAL
- Albertslund Glass, frosted
- Albertslund Glass, partly frosted

Variant number

- 5743590568
- 5743590571
- 5743590717
- 5743590814