

Crystal elements with refined geometries merge with structures engineered for optimal lighting performance, creating a dialogue of character and personality. These pieces assert a strong visual presence while delivering exceptional lighting solutions.

Materials: Metal, glass

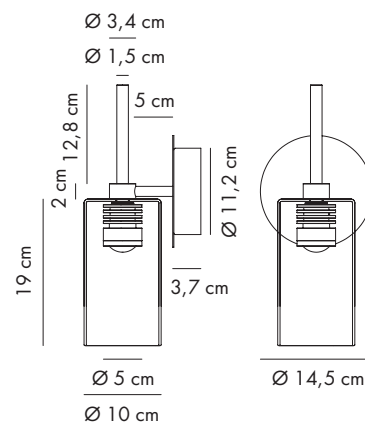
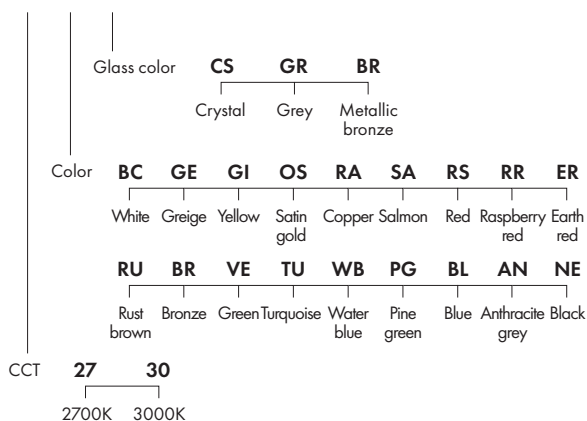
Light Source: LED (led driver not included)

CCT
2700K _ 590 lm
3000K _ 650 lm

Glass color		Color					
Crystal		Turquoise		Red		White	
Grey		Water blue		Raspberry red		Greige	
Metallic bronze		Pine green		Earth red		Yellow	
		Blue		Rust brown		Satin gold	
		Anthracite grey		Bronze		Copper	
		Black		Green		Salmon	

Code Construction

APSPI X 01 X XX XX XX

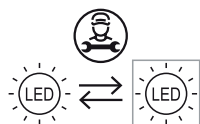


Drivers

24VDC		Min-Max fixtures
CEDMWC00207	On/off IP42 - Max 8W	1
CEDALV00001	Dimmable IP20, PUSH, DALI 2, O/1-10V - Max 24W	1-3

Ecodesign and Energy Labelling

This luminaire contains a light source with the energy class **E**



Light source replaceable (LED only) by a qualified specialist of Axolight.

Nominal flux (lm) of the products are estimated on the LED sources, with tolerances defined by manufacturers.