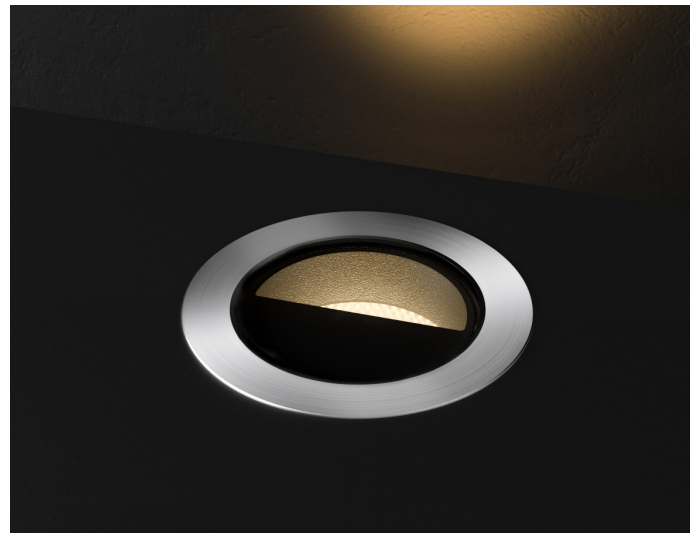
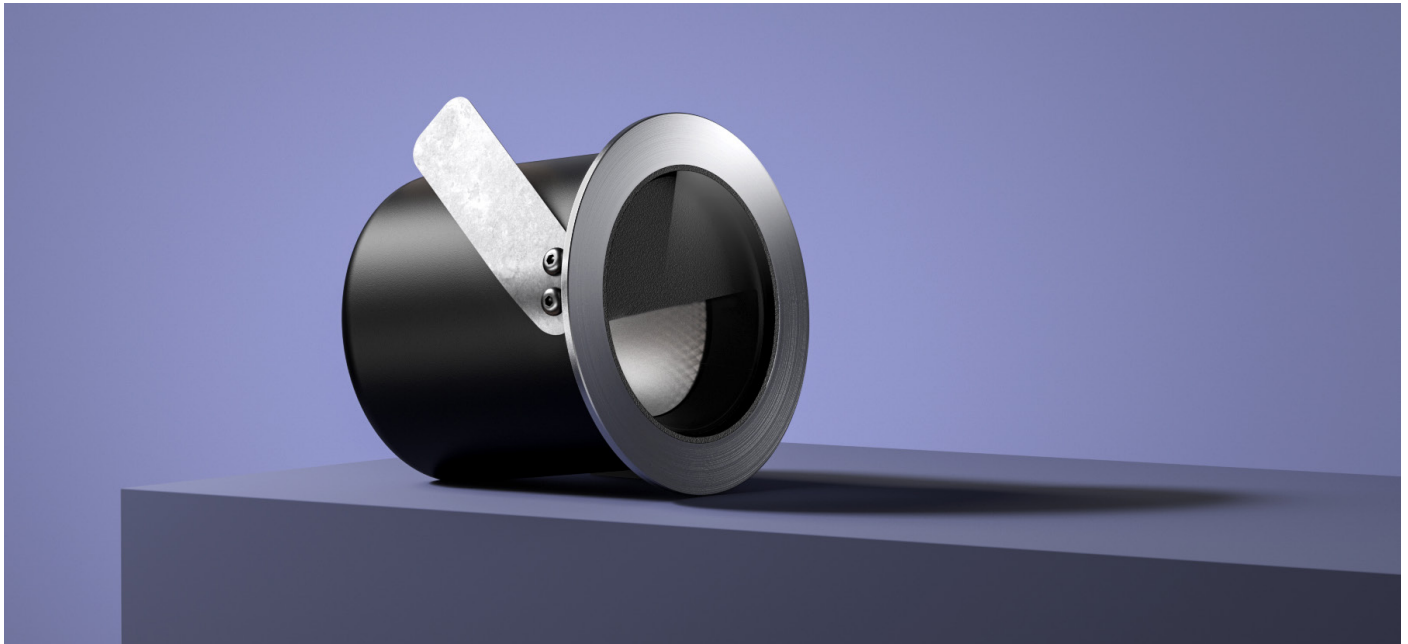


erluna

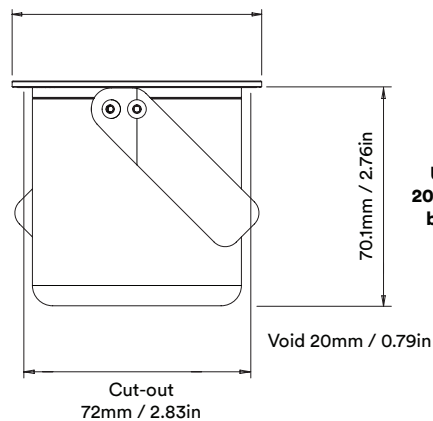
alta plus
origin

circular product





Bezel - 80mm / 3.15in
Aperture - 55.6mm / 2.19in



Unit height increases by
20mm / 0.79in for SPOT and
both ELLIPTICAL BEAMS

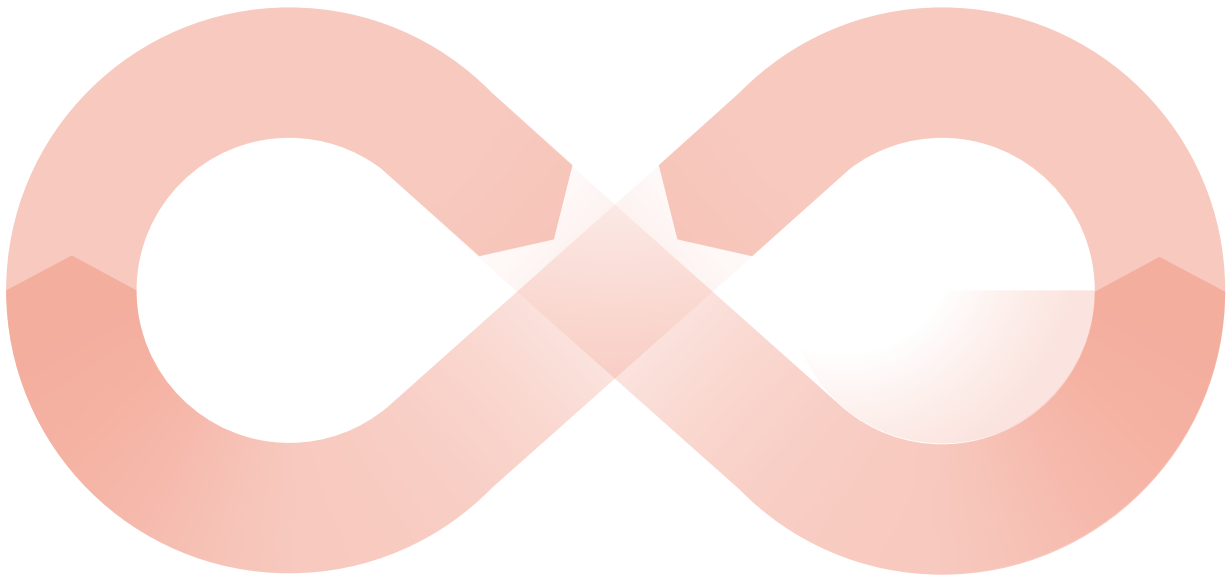


When an old Orluna light comes to the end of its life, or is faulty, instead of throwing it away, we kindly ask you to return it to us.

1

The fully repaired and tested product enters back into our stock –with a brand new warranty.

3

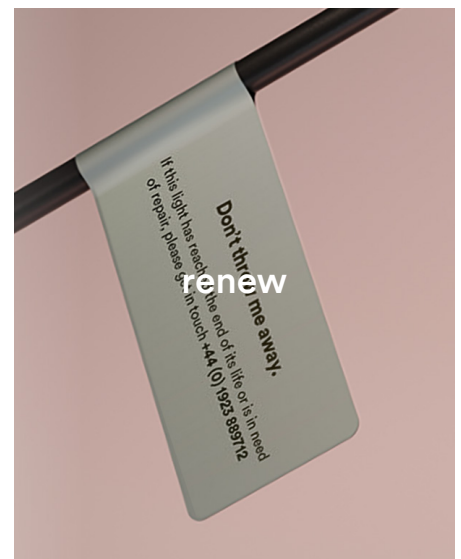


The 'new' light fitting is despatched to a new customer.

4

Once we've received the unwanted or faulty fitting, it's dismantled, repaired and renewed with a new LED and PCB.

2



		2700K									
		SPOT			SOFT				SPECIALITY		
LIGHT VALUES	Beam Width FWHM	Ultra 8°	Spot 10°	Narrow 14°	Medium 26°	Wide 41°	Flood 49°	Wash 56°	Crisp 36°	Elliptical 10x45°	Elliptical 20x40°
	Initial Lumens	526	893	1164	1164	1164	1164	1164	1164	893	893
	Engine Lumens	183	295	380	975	968	935	942	970	323	320
	Luminaire Lumens	146	256	367	652	647	610	650	701	178	231
	Luminaire Lm/W	23	24	33	86	85	82	83	85	26	26
	Luminaire CBCP	5323	7017	5471	2151	1237	925	764	1751	714	1355
POWER	Voltage	36V	36V	34V				36V			
	Drive Current	180mA	300mA	300mA				300mA			
	Circuit Power (typ)	7.8W	12.2W	11.4W				12.2W			

		3000K									
		SPOT			SOFT				SPECIALITY		
LIGHT VALUES	Beam Width FWHM	Ultra 8°	Spot 10°	Narrow 14°	Medium 27°	Wide 42°	Flood 49°	Wash 57°	Crisp 37°	Elliptical 10x45°	Elliptical 20x40°
	Initial Lumens	561	935	1252	1252	1252	1252	1252	1252	935	935
	Engine Lumens	204	302	407	1013	1026	999	1013	1025	354	350
	Luminaire Lumens	196	302	386	684	679	647	691	735	168	228
	Luminaire Lm/W	26	25	36	89	90	88	89	90	29	29
	Luminaire CBCP	6922	7644	5595	2229	1258	930	789	1795	726	1415
POWER	Voltage	36V	36V	34V				36V			
	Drive Current	180mA	300mA	300mA				300mA			
	Circuit Power (typ)	7.8W	12.2W	11.4W				12.2W			

Binning SDCM (Hot)	2
CRI (typ)(R9)	98 (99)
TM30 Rf Rg	Rf 93.8 Rg 101.9
Lifetime (TM21)	L90 B5 50,000hrs (inc driver)
Lifetime (Calculated)	L70 426,000hrs
Protocols	Mains Dim / DALI / 0-10V / Non-dim
Dim to Dark	0.1% Lux
Distance from LED	20m / 65' (series wiring)
Emergency	N/A

NUMBER OF LIGHTS PER DRIVER		
Protocols	Code	No of lights per driver
DALI	D - 300	1
0-10	O - 300	1
Mains <1% Dimming	M - 300	1

SPECIFICATION CODE

Engine type	Bezel	Colour Temp	Driver	Beam Width	Bezel Colour	Baffle Colour	Options
OR	- ATP -	27	X	S	- SS -	BB	54
		27 / 2700K 30 / 3000K	X / No Driver	U / Ultra S / Spot N / Narrow M / Medium W / Wide F / Flood H / Wash C / Crisp L / Elliptical Linear O / Elliptical Oval	SS / Stainless steel*1 W / White 9010*1 D / White 9003*1 A / Black anodised*1 G / Polished Brass*2 J / Antique Bronze*2 K / Brushed Chrome*2 L / Polished Chrome*2 F / Satin grey*3 P / Brushed Brass*3 Z / Other Metallic *3 C / Other RAL *3	BB / Black anodised	54 / IP54 67 / IP67*1 P / Sea & Spa IP67 Z / LSZH Cable K / Click Connector I / Installation sleeve H / Honeycomb N / Frosted Lens Q / Kicker optic Y / 10m Cable*2

*1 - standard, in stock
*2 - premium, in stock
*3 - premium, non-stock

*1 - IP67 only available in Stainless Steel, Anodised Black, Satin Grey and Brushed Brass
*2 - IP54 with 300mm cable, IP67 with 1m cable as standard