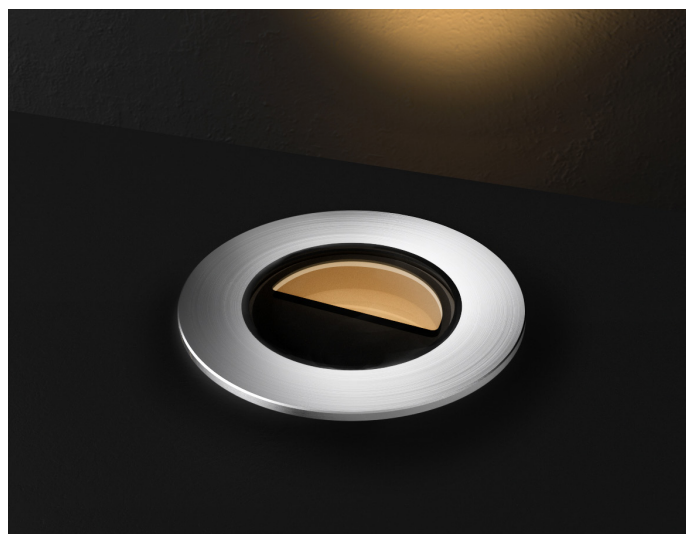
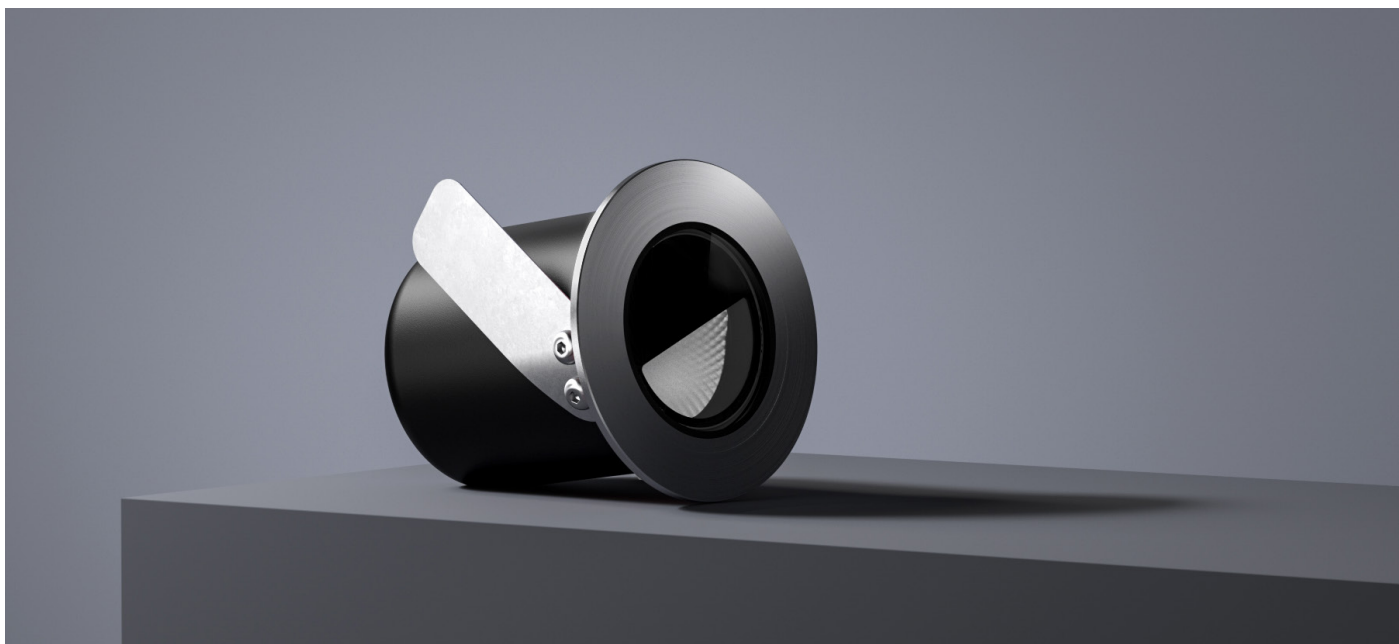


erluna

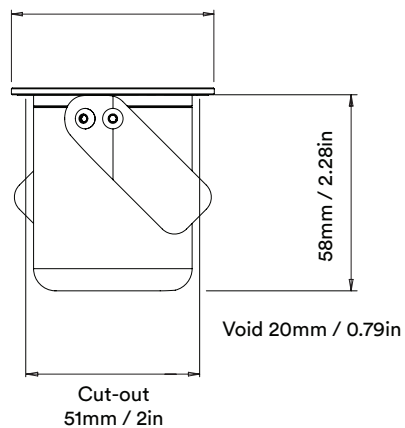
alta
origin

circular product





Bezel - 59.5mm / 2.34in
Aperture - 35mm / 1.38in

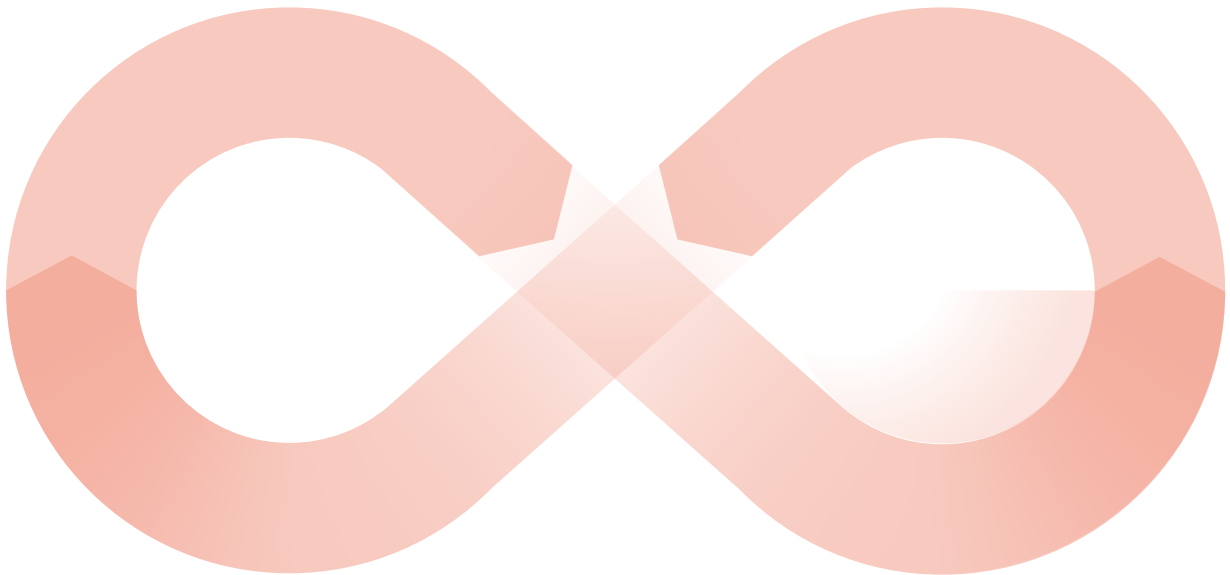


When an old Orluna light comes to the end of its life, or is faulty, instead of throwing it away, we kindly ask you to return it to us.

1

The fully repaired and tested product enters back into our stock –with a brand new warranty.

3

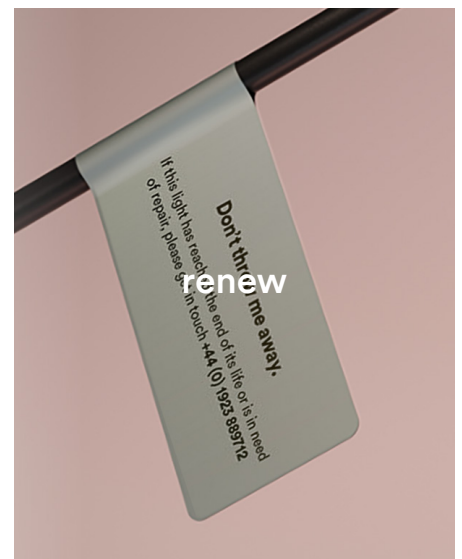


The 'new' light fitting is despatched to a new customer.

4

Once we've received the unwanted or faulty fitting, it's dismantled, repaired and renewed with a new LED and PCB.

2



		2700K					
		SPOT		SOFT		SPECIALITY	
LIGHT VALUES	Beam Width FWHM	Spot	Medium	Wide	Crisp	Elliptical	Elliptical
		15°	33°	40°	34°	10x45°	20x40°
	Initial Lumens	549	549	549	549	549	549
	Engine Lumens	207	462	462	417	222	290
	Luminaire Lumens	151	290	284	308	115	149
	Luminaire Lm/W	39	87	87	78	41	54
	Luminaire Cd	1847	706	521	861	343	589
POWER	Voltage	17.6V					
	Drive Current	300mA					
	Circuit Power (typ)	5.3W					

		3000K					
		SPOT		SOFT		SPECIALITY	
LIGHT VALUES	Beam Width FWHM	Spot	Medium	Wide	Crisp	Elliptical	Elliptical
		15°	33°	40°	34°	10x45°	20x40°
	Initial Lumens	587	587	587	587	587	587
	Engine Lumens	236	483	475	442	192	176
	Luminaire Lumens	178	338	330	370	156	130
	Luminaire Lm/W	44	91	90	83	36	33
	Luminaire Cd	1842	812	616	1121	317	641
POWER	Voltage	17.6V					
	Drive Current	300mA					
	Circuit Power (typ)	5.3W					

Binning SDCM (Hot)	2	
CRI (typ)(R9)	98 (99)	
TM30 Rf Rg	Rf 93.8 Rg 101.9	
Lifetime (TM21)	L90 B5 50,000hrs (inc driver)	
Lifetime (Calculated)	L70 426,000hrs	
DRIVER	Protocols	Mains Dim / DALI / 0-10V / Non-dim
	Dim to Dark	0.1% Lux
	Distance from LED	20m / 65' (series wiring)
	Emergency	N/A

NUMBER OF LIGHTS PER DRIVER

Protocols	Code	No of lights per driver
DALI	D - 300	1 - 2
0-10	O - 300	1 - 2
Mains <1% Dimming	M - 300 - 2	1
Mains <1% Dimming	M - 300	2

SPECIFICATION CODE

Engine type	Bezel	Colour Temp	Driver	Beam Width	Bezel Colour	Baffle Colour	Options
OR	- ATT -	27	X	M	- SS -	BB	- 54
		27 / 2700K 30 / 3000K	X / No Driver	M / Medium W / Wide H / Wash S / Spot L / Elliptical Linear O / Elliptical Oval	SS / Stainless steel*1 W / White 9010*1 D / White 9003*1 A / Black anodised*1 G / Polished Brass*2 J / Antique Bronze*2 K / Brushed Chrome*2 L / Polished Chrome*2 F / Satin grey*3 P / Brushed Brass*3 Z / Other Metallic *3 C / Other RAL *3	BB / Black anodised	54 / IP54 67 / IP67*1 P / Sea & Spa IP67 Z / LSZH Cable K / Click Connector I / Installation sleeve H / Honeycomb N / Frosted Lens Q / Kicker optic Y / 10m Cable*2

*1 - standard, in stock
*2 - premium, in stock
*3 - premium, non-stock

*1 - IP67 only available in Stainless Steel, Anodised Black, Satin Grey and Brushed Brass
*2 - IP54 with 300mm cable, IP67 with 1m cable as standard