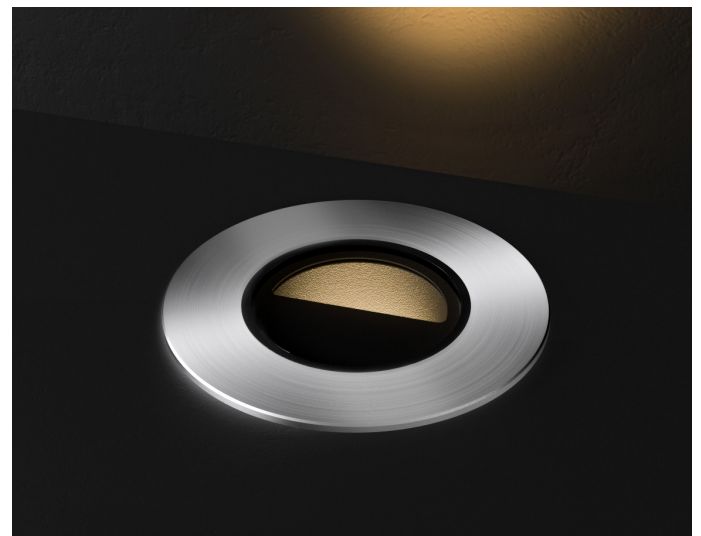
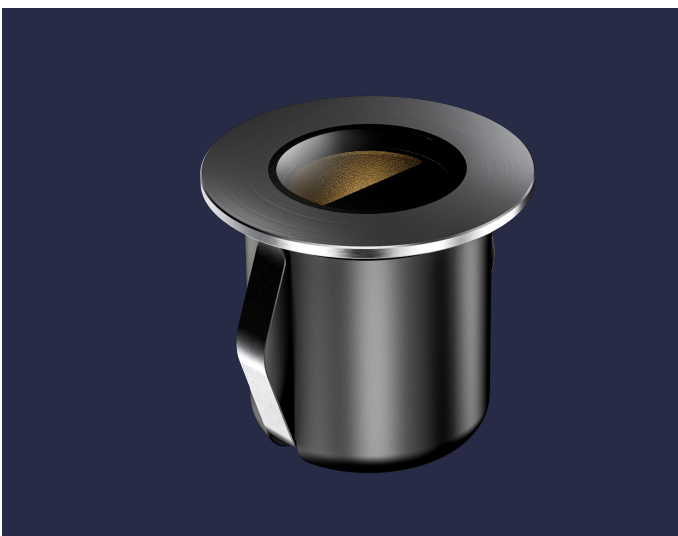
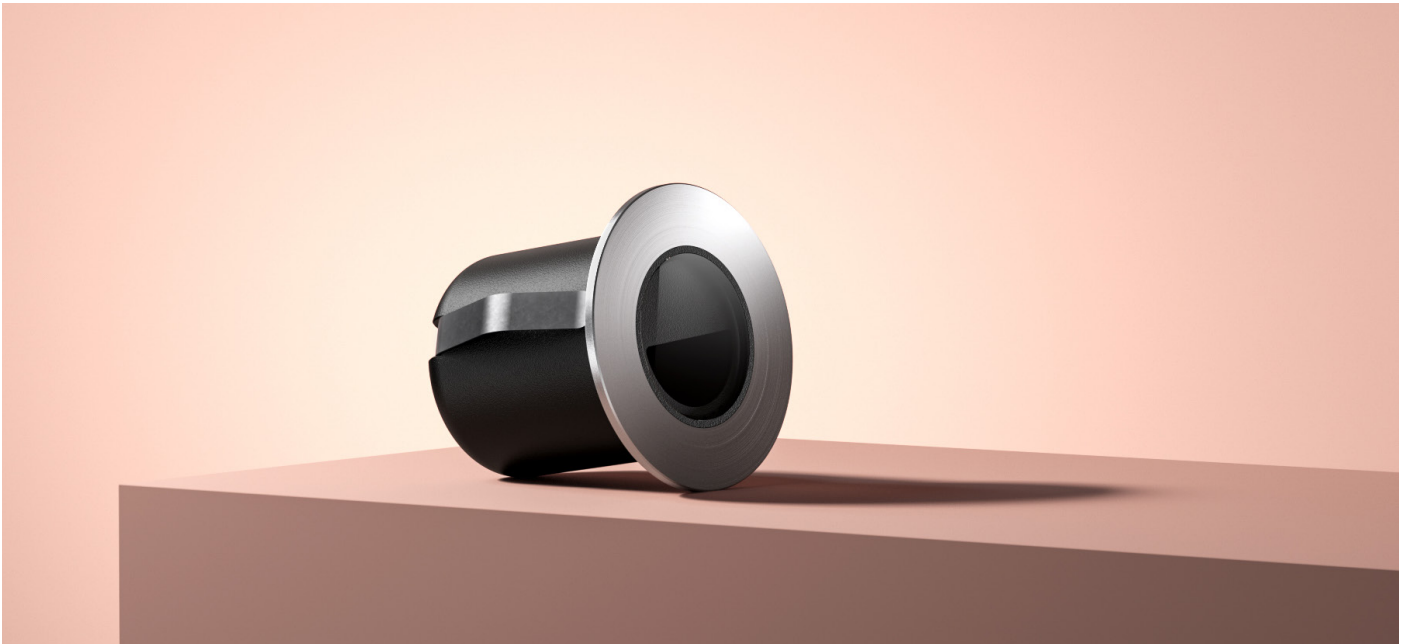


erluna

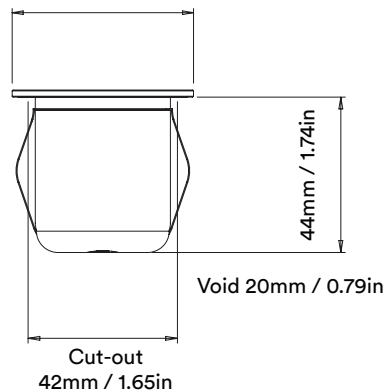
alta mini
origin

circular product





Bezel - 51mm / 2in
Aperture - 27.6mm / 1.09in

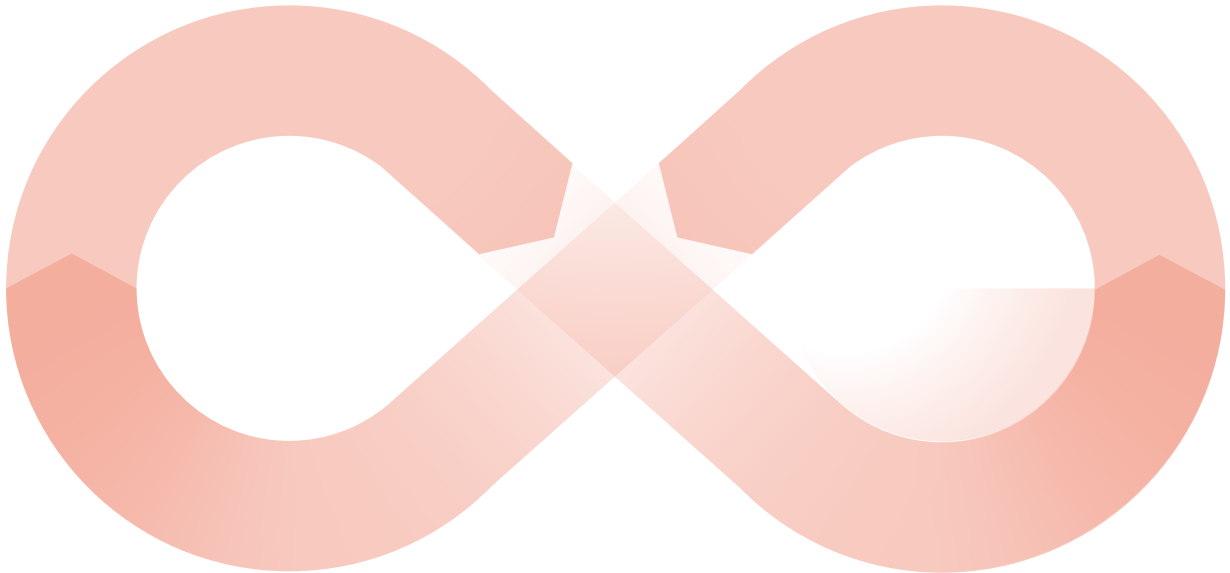


When an old Orluna light comes to the end of its life, or is faulty, instead of throwing it away, we kindly ask you to return it to us.

1

The fully repaired and tested product enters back into our stock –with a brand new warranty.

3

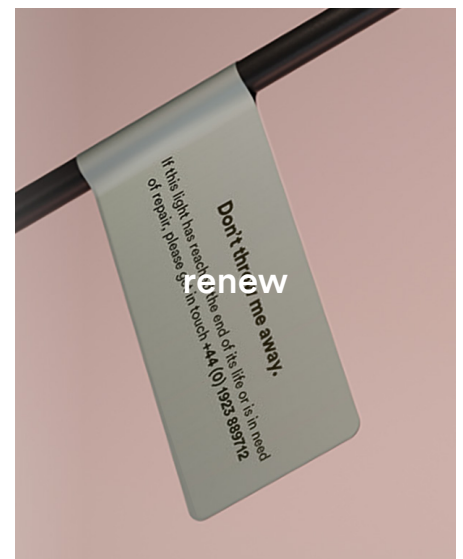


The 'new' light fitting is despatched to a new customer.

4

Once we've received the unwanted or faulty fitting, it's dismantled, repaired and renewed with a new LED and PCB.

2



| | | 2700K | | |
|--------------|---------------------|-------|--------|------|
| | | SOFT | | |
| LIGHT VALUES | | Spot | Narrow | Wide |
| | Beam Width FWHM | 10° | 18° | 42° |
| | Initial Lumens | 167 | 167 | 167 |
| | Engine Lumens | N/A | N/A | N/A |
| | Luminaire Lumens | 118 | 123 | 87 |
| | Luminaire Lm/W | 59 | 62 | 44 |
| | Luminaire Cd | 2113 | 1054 | 178 |
| POWER | Voltage | 3V | | |
| | Drive Current | 700mA | | |
| | Circuit Power (typ) | 2W | | |

| | | 3000K | | |
|--------------|---------------------|-------|--------|------|
| | | SOFT | | |
| LIGHT VALUES | | Spot | Narrow | Wide |
| | Beam Width FWHM | 10° | 18° | 42° |
| | Initial Lumens | 180 | 180 | 180 |
| | Engine Lumens | N/A | N/A | N/A |
| | Luminaire Lumens | 135 | 142 | 96 |
| | Luminaire Lm/W | 68 | 71 | 48 |
| | Luminaire Cd | 2291 | 1209 | 197 |
| POWER | Voltage | 3V | | |
| | Drive Current | 700mA | | |
| | Circuit Power (typ) | 2W | | |

| Binning SDCM (Hot) | 3 | |
|-----------------------|-------------------------------|--|
| CRI (typ)(R9) | 98 (99) | |
| TM30 Rf Rg | Rf 94 Rg 101 | |
| Lifetime (TM21) | L90 B5 50,000hrs (inc driver) | |
| Lifetime (Calculated) | L70 120,000hrs | |
| DRIVER | Protocols | Mains Dim / DALI / 0-10V / Non-dim (use Mains Dim) |
| | Dim to Dark | 0.1% Lux |
| | Distance from LED | 20m / 65' (series wiring) |
| | Emergency | N/A |

NUMBER OF LIGHTS PER DRIVER

| Protocols | Code | No of lights per driver |
|-------------------|-------------|-------------------------|
| DALI | D - 700 | 1 - 13 |
| 0-10 | 0 - 700 | 1 - 13 |
| Mains <1% Dimming | M - 700 - 1 | 2 - 4 |
| Mains >3% Dimming | M - 700 - L | 1 - 5 |
| Mains <1% Dimming | M - 700 - 2 | 6 - 12 |

SPECIFICATION CODE

| Engine type | Bezel | Colour Temp | Driver | Beam Width | Bezel Colour | Baffle Colour | Options |
|-------------|--------------|--------------------------|---------------|------------------------------------|---|---------------------|--|
| OR | -ATM- | 27 | X | N | - SS - | BB | 54 |
| | | 27 / 2700K 30 / 3000K | X / No Driver | S / Spot N / Narrow W / Wide | SS / Stainless steel*1 W / White 9010*1 D / White 9003*1 A / Black anodised*1 G / Polished Brass*2 J / Antique Bronze*2 K / Brushed Chrome*2 L / Polished Chrome*2 F / Satin grey*3 P / Brushed Brass*3 Z / Other Metallic *3 C / Other RAL *3 | BB / Black anodised | 54 / IP54 67 / IP67*1 P / Sea & Spa IP67 Z / LSZH Cable I / Installation sleeve Q / Kicker optic Y / 10m Cable*2 |

*1 - standard, in stock
*2 - premium, in stock
*3 - premium, non-stock

*1 - IP67 only available in Stainless Steel, Anodised Black, Satin Grey and Brushed Brass
*2 - IP54 with 300mm cable, IP67 with 1m cable as standard