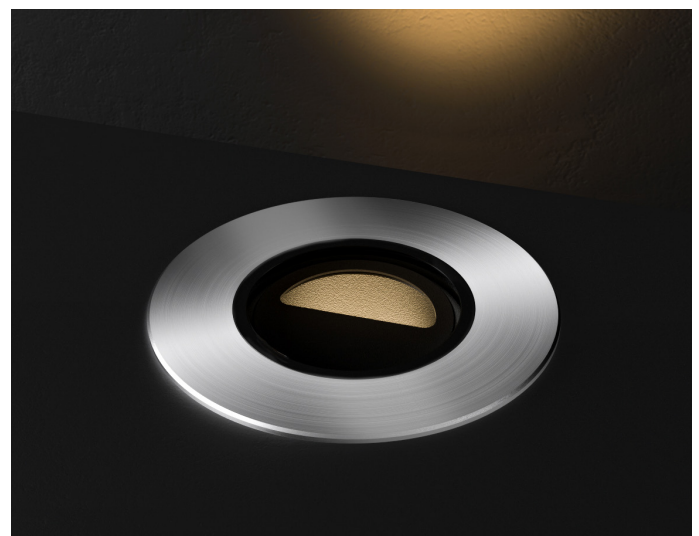
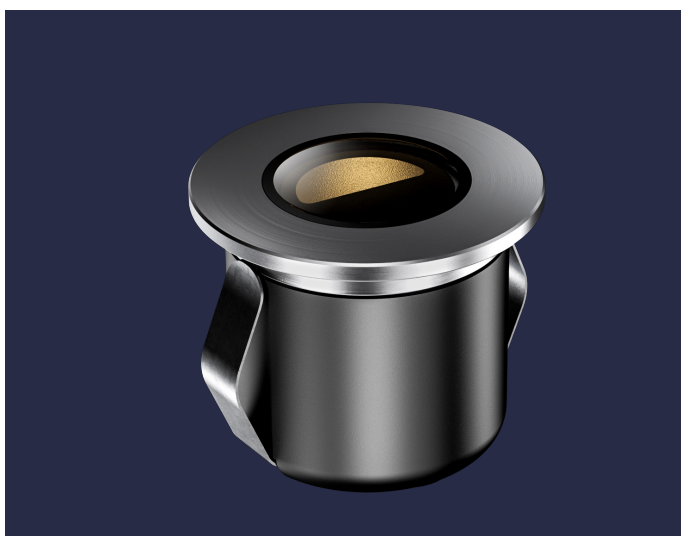
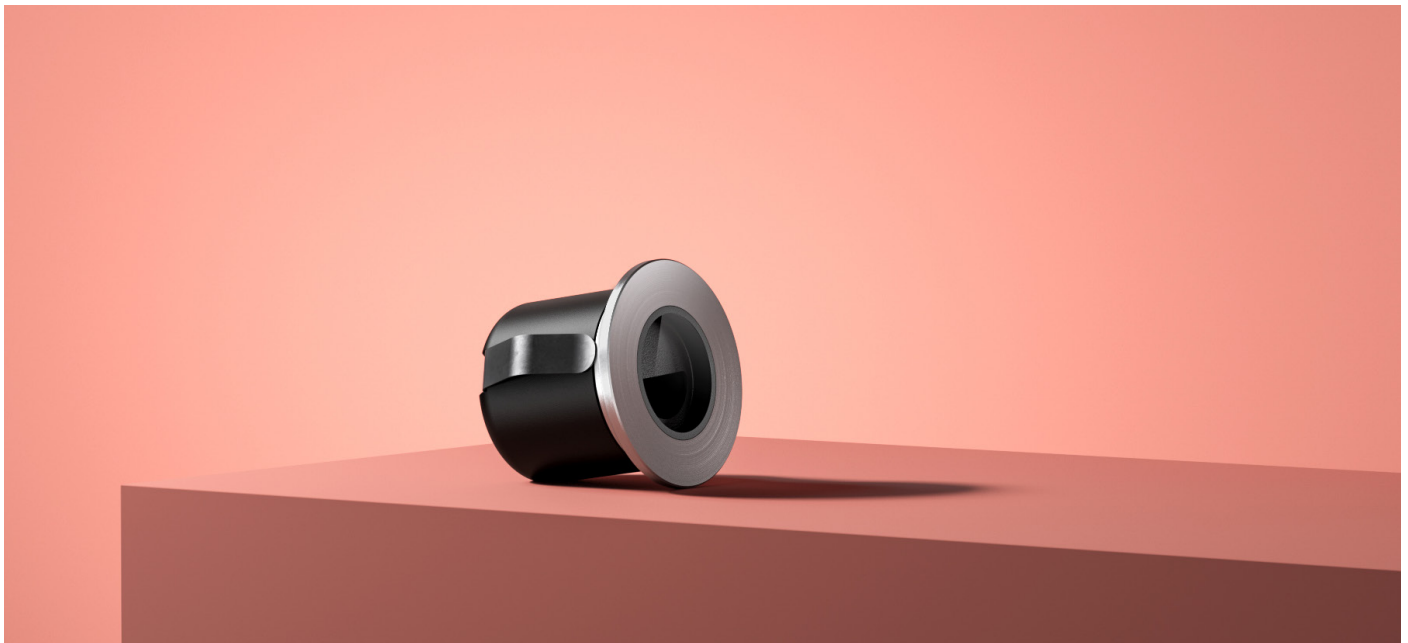


erluna

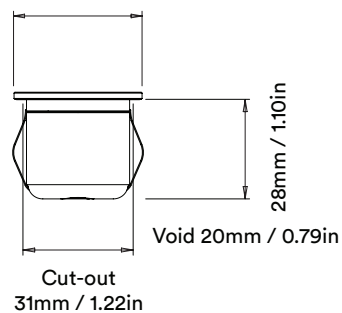
alta micro  
origin

circular product





Bezel - 36mm / 1.42in  
Aperture - 18.6mm / 0.73in

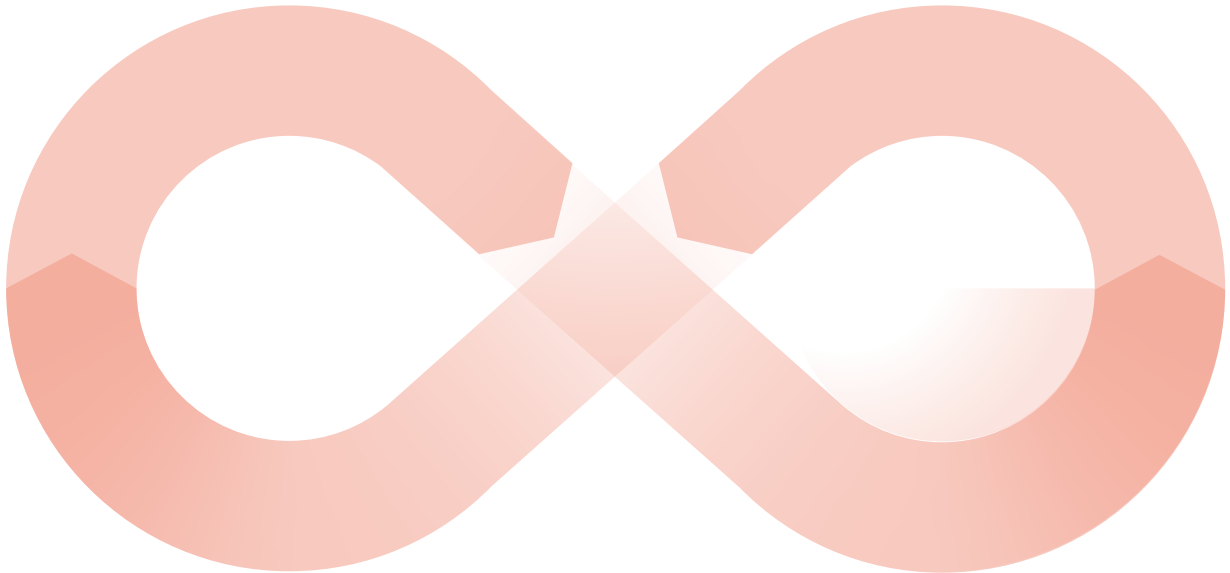


When an old Orluna light comes to the end of its life, or is faulty, instead of throwing it away, we kindly ask you to return it to us.

**1**

The fully repaired and tested product enters back into our stock –with a brand new warranty.

**3**

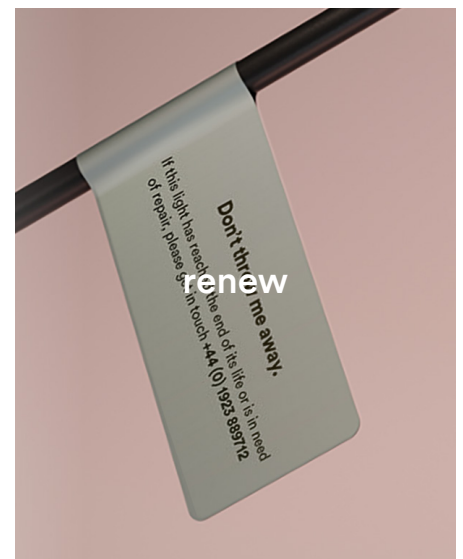


The 'new' light fitting is despatched to a new customer.

**4**

Once we've received the unwanted or faulty fitting, it's dismantled, repaired and renewed with a new LED and PCB.

**2**



		2700K		
		SOFT		
LIGHT VALUES		Narrow	Medium	Wash
	Beam Width FWHM	19°	31°	59°
	Initial Lumens	167	167	167
	Engine Lumens	N/A	N/A	N/A
	Luminaire Lumens	145	159	126
	Luminaire Lm/W	73	80	63
	Luminaire Cd	884	495	131
POWER	Voltage	3V		
	Drive Current	700mA		
	Circuit Power (typ)	2W		

		3000K		
		SOFT		
LIGHT VALUES		Narrow	Medium	Wash
	Beam Width FWHM	19°	31°	56°
	Initial Lumens	180	180	180
	Engine Lumens	N/A	N/A	N/A
	Luminaire Lumens	157	169	136
	Luminaire Lm/W	79	85	68
	Luminaire Cd	939	533	164
POWER	Voltage	3V		
	Drive Current	700mA		
	Circuit Power (typ)	2W		

Binning SDCM (Hot)	3	
CRI (typ)(R9)	98 (99)	
TM30 Rf Rg	Rf 94 Rg 101	
Lifetime (TM21)	L90 B5 50,000hrs (inc driver)	
Lifetime (Calculated)	L70 120,000hrs	
DRIVER	Protocols	Mains Dim / DALI / 0-10V / Non-dim (use Mains Dim)
	Dim to Dark	0.1% Lux
	Distance from LED	20m / 65' (series wiring)
	Emergency	N/A

### NUMBER OF LIGHTS PER DRIVER

Protocols	Code	No of lights per driver
DALI	D - 700	1 - 13
0-10	0 - 700	1 - 13
Mains <1% Dimming	M - 700 - 1	2 - 4
Mains >3% Dimming	M - 700 - L	1 - 5
Mains <1% Dimming	M - 700 - 2	6 - 12

### SPECIFICATION CODE

Engine type	Bezel	Colour Temp	Driver	Beam Width	Bezel Colour	Baffle Colour	Options
<b>OR</b>	<b>- ATC -</b>	<b>27</b>	<b>X</b>	<b>M</b>	<b>- SS -</b>	<b>BB</b>	<b>- 54</b>
		27 / 2700K 30 / 3000K	X / No Driver	N / Narrow M / Medium H / Wash	SS / Stainless steel*1 W / White 9010*1 D / White 9003*1 A / Black anodised*1 G / Polished Brass*2 J / Antique Bronze*2 K / Brushed Chrome*2 L / Polished Chrome*2 F / Satin grey*3 P / Brushed Brass*3 Z / Other Metallic *3 C / Other RAL *3	BB / Black anodised	54 / IP54 67 / IP67*1 P / Sea & Spa IP67 Z / LSZH Cable I / Installation sleeve Q / Kicker optic Y / 10m Cable*2

\*1 - standard, in stock  
\*2 - premium, in stock  
\*3 - premium, non-stock

\*1 - IP67 only available in Stainless Steel, Anodised Black, Satin Grey and Brushed Brass  
\*2 - IP54 with 300mm cable, IP67 with 1m cable as standard