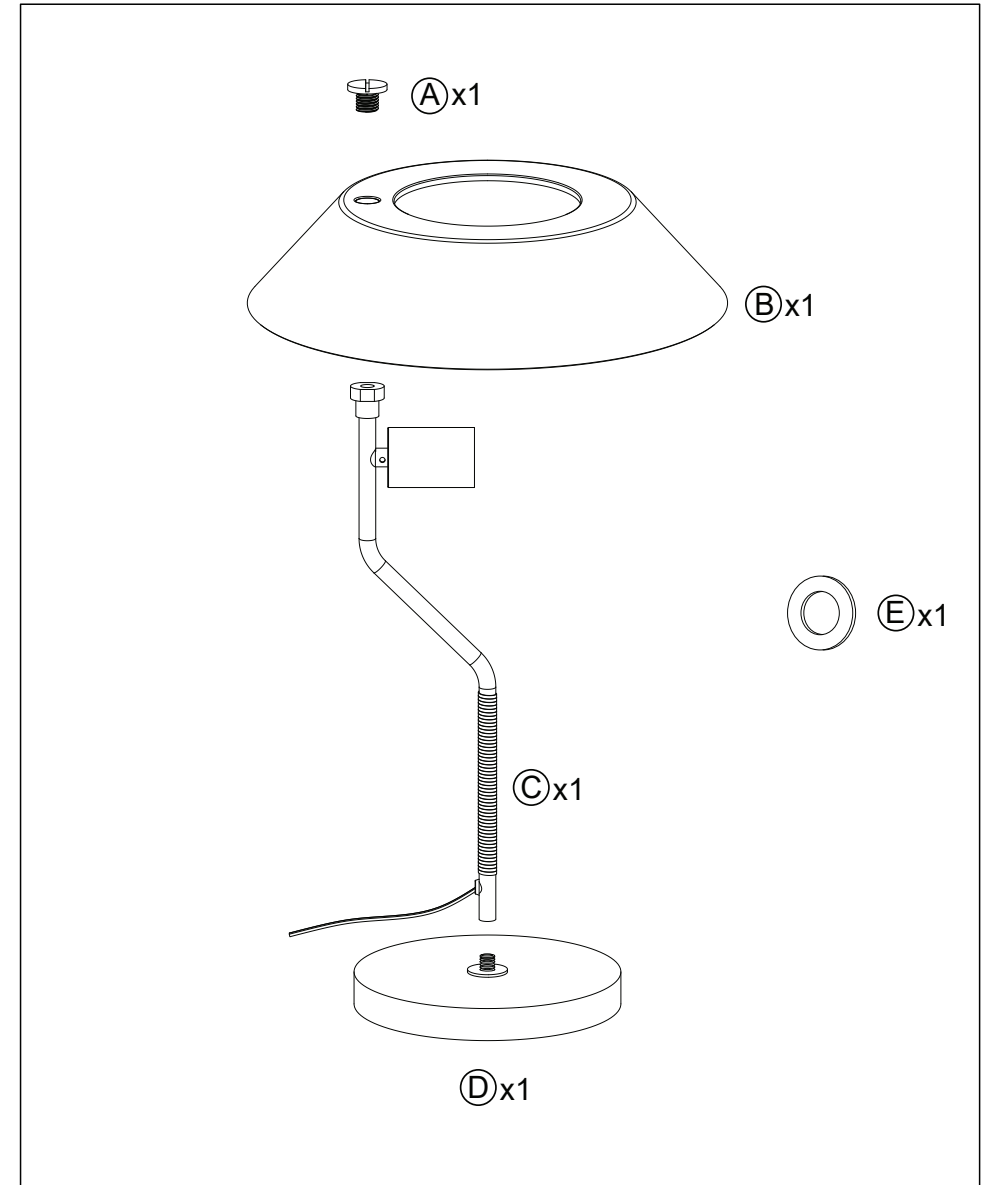
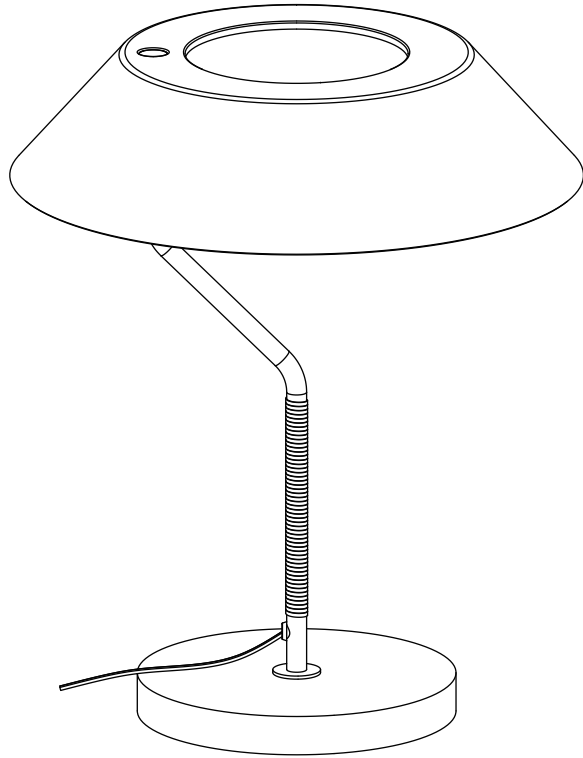


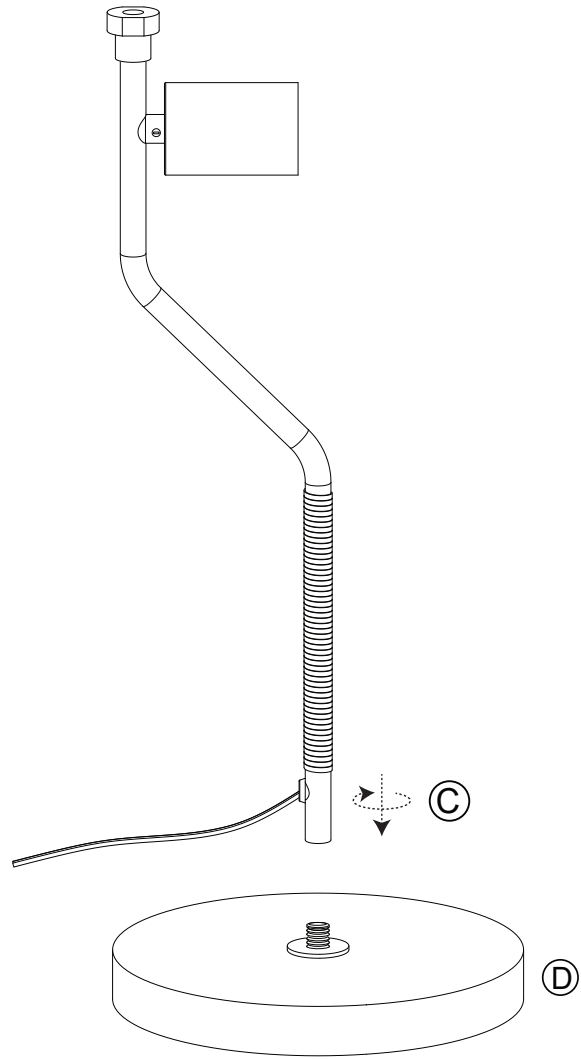
aromas ASSEMBLY INSTRUCTIONS

S1287



Caution: If the external flexible cable or cord of this luminaire is damaged, it should be replaced by a qualified person in order to avoid a hazard.

1



2

